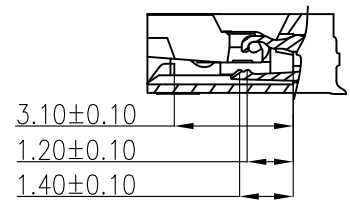
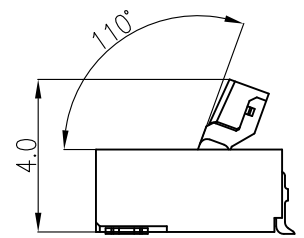
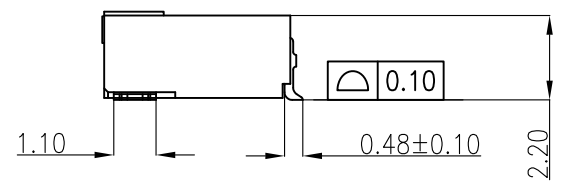
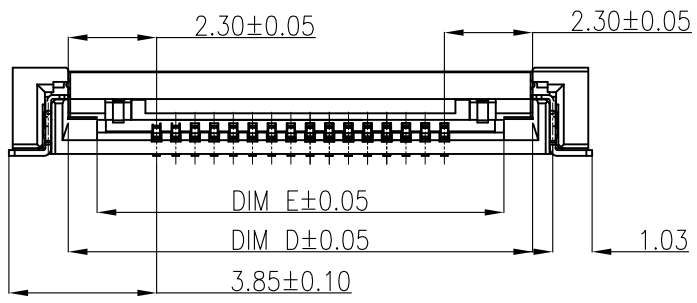
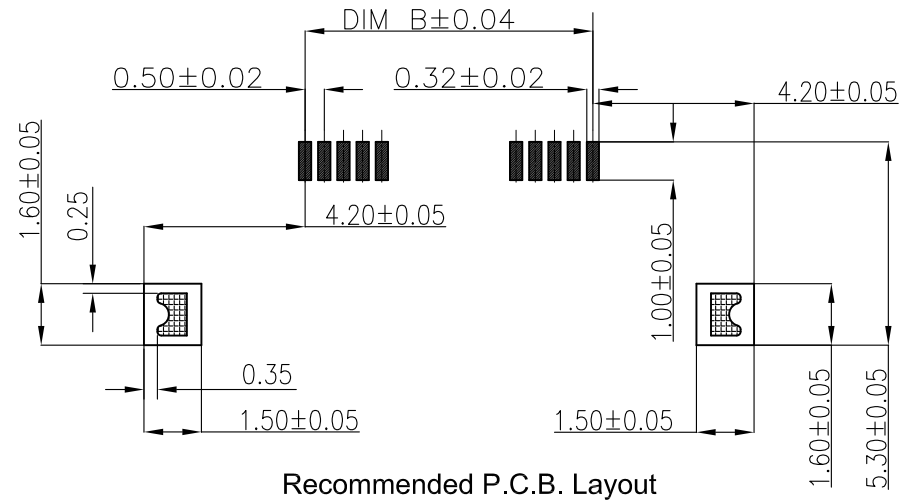
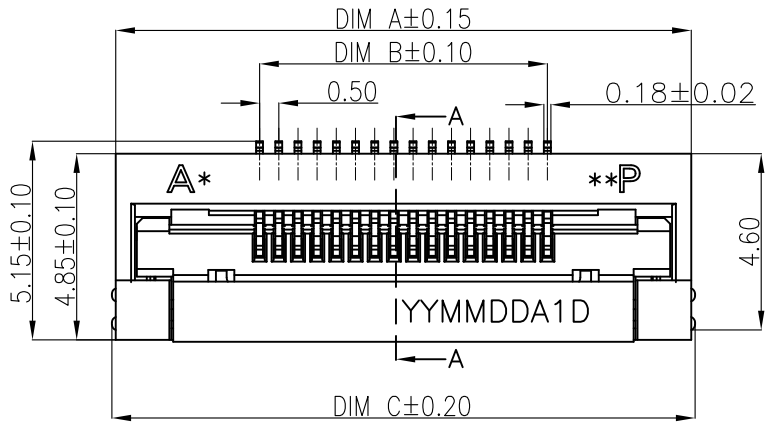


RoHS
COMPLIANT

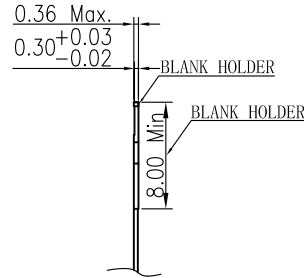
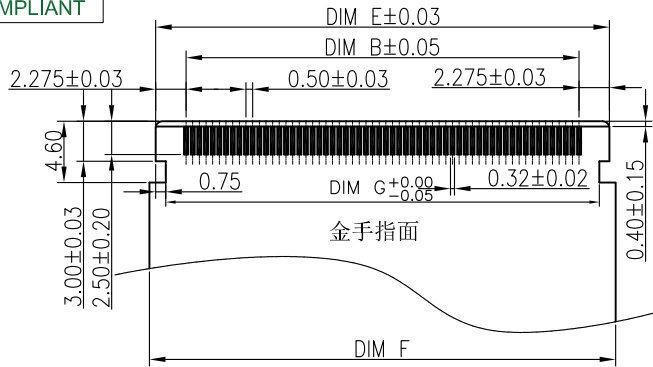


Ordering Code:
A05009 ** 13 G03 04RL
 No. of Circuits: 10:10, 12:12, 16:16
 Contact Plating: G03:Gold flash
 Insulator Material: 13:LCP Natural

16	15.00	7.50	15.20	12.10	10.60
12	13.00	5.50	13.20	10.10	8.60
10	12.00	4.50	12.20	9.10	7.60
Circuits	DIM A	DIM B	DIM C	DIM D	DIM E

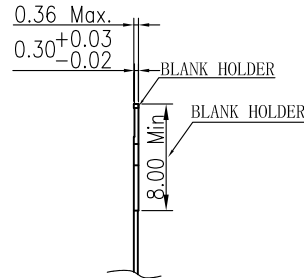
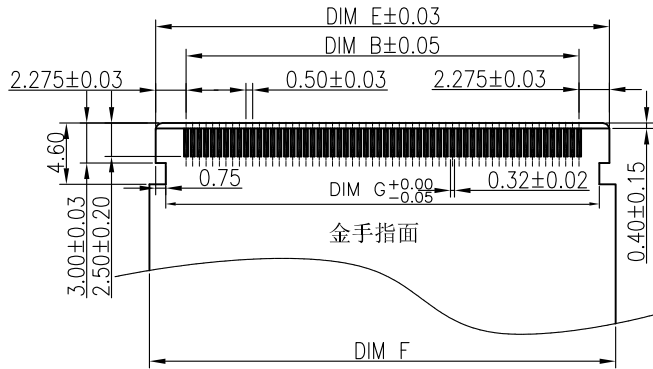
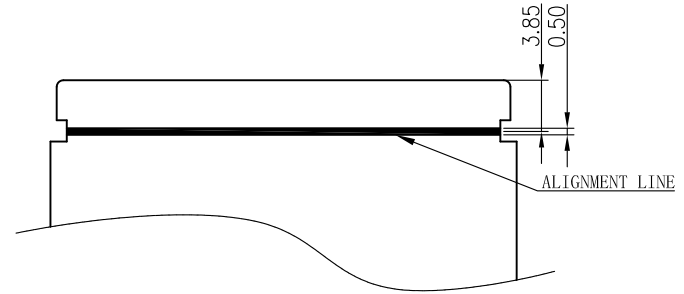
F	△A03				TOLERANCE	TITLE:	DRAWN: LCC 2024.06.13	KONNRA 东莞市康瑞电子有限公司 DongGuan Konnra Electronics Co.,Ltd.		
	△A02				X.X ±0.30	NEG1S2 10.1 12.1	CHECKED:			
	△A01				X.XX ±0.20	16.1 CONN.	APPROVED:	PART NO.: A05009**13G0304RL		
	MARK	REVISION DESCRIPTION	SIGNATURE	DATE	Angle ±2°	UNIT:mm	SCALE:1:1	SHEET:1/3	PROJECTION	REV.:A01
	1	2	3	4	5	6	7	8	9	

RoHS
COMPLIANT



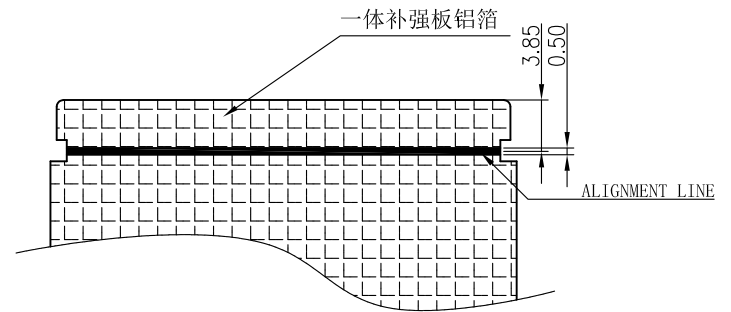
APPLICABLE FPC RECOMMENDED DIMENSION

蓝白裸线 (不接地)



APPLICABLE FPC RECOMMENDED DIMENSION

一体补强板铝箔FPC线



NOTES:

1. MATERIAL:

HOUSING:HEIGHT THERMOPLASTIC,UL94V-0,COLOR:NATURE
ACTUATOR:HEIGHT THERMOPLASTIC,UL94V-0,COLOR:BLACK
CONTACT:COPPER ALLOY ,T=0.18mm
PEG:COPPER ALLOY ,T=0.15mm

2. FINISH:

-CONTACT AREA: Au 3u" Min OVER Ni 50u"Min
-SMD AREA: Au 1.5u" Min
-PEG: Matte Tin 100u" Min. Ni 50u" Min.

TABLE:

4	PEG	PHOSPOHR BRONZE					
3	ACTUATOR	HIGH TEMPERATURE BLACK	16	7.50	12.05	13.00	10.55
2	TERMINAL	PHOSPOHR BRONZE	12	5.50	10.05	11.00	8.55
1	HOUSING	LCP,NATURE	10	4.50	9.05	10.00	7.55
No.	PARTS NAME	NOTE	Circuits	DIM B	DIM E	DIM F	DIM G

A03

A02

A01

MARK

TOLERANCE

X.X ±0.30
X.XX ±0.20
X.XXX ±0.10
Angle ±2°

TITLE:

NEG1S2 10.1 12.1
16.1 CONN.

DRAWN: LCC 2024.06.13

CHECKED:

APPROVED:

KONNRA 东莞市康瑞电子有限公司
DongGuan Konnra Electronics Co.,Ltd.

PART NO.: A05009**13G0304RL

UNIT:mm SCALE:1:1

SHEET:2/3 PROJECTION

REV.:A01 DRAWING NO.:A0500904-L-S