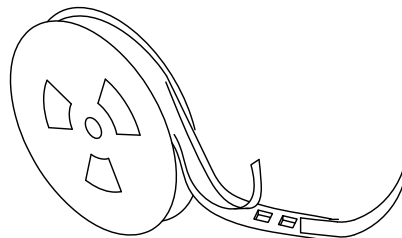
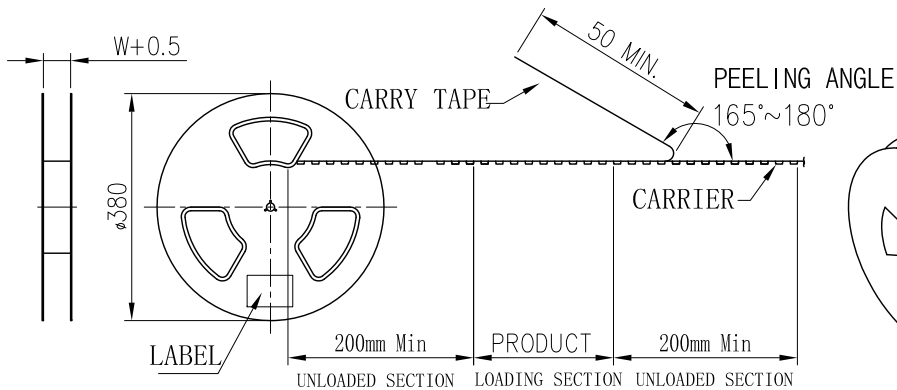
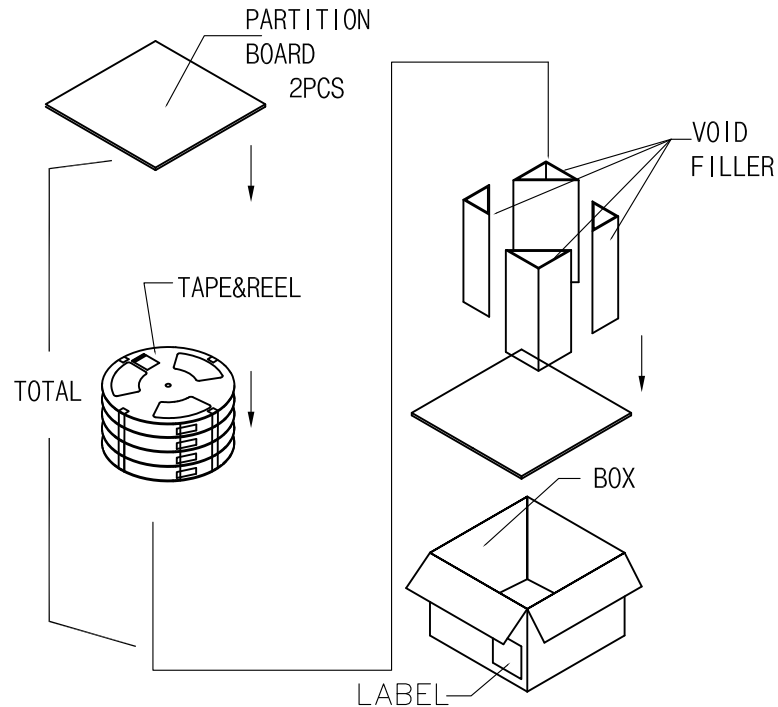
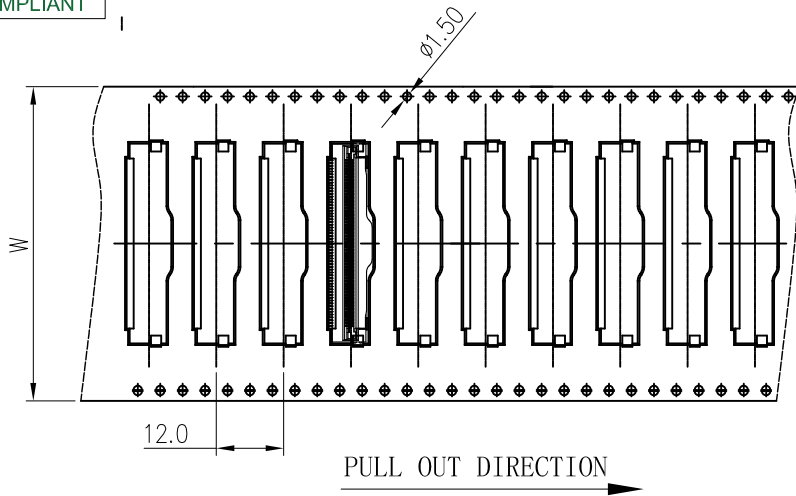


RoHS
COMPLIANT



51	2500	12500	56
30	2500	15000	44
Circuits	PCS/REEL	PCS/BOX	W

F	△A03				TOLERANCE	TITLE:	DRAWN: LCC 2024.06.13	KONNRA 东莞市康瑞电子有限公司 DongGuan Konnra Electronics Co.,Ltd.		
	△A02				X.X ±0.30	NEG1S1 30.2 51.3	CHECKED:			
	△A01				X.XX ±0.20	CONN. PACKING	APPROVED:	PART NO.: A05009**13G0303RL		
MARK	REVISION DESCRIPTION	SIGNATURE	DATE	Angle ±2°	UNIT:mm	SCALE:1:1	SHEET:3/3	PROJECTION	REV.:A01	DRAWING NO.:A0500903-L-S