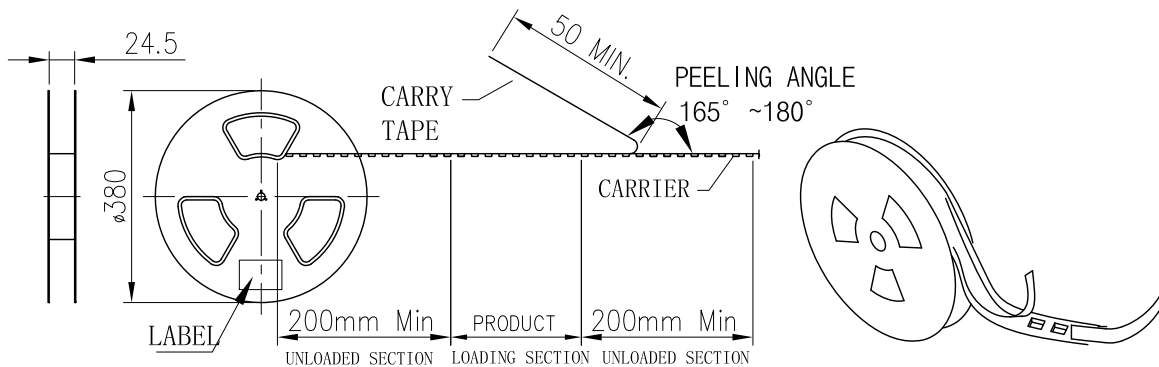
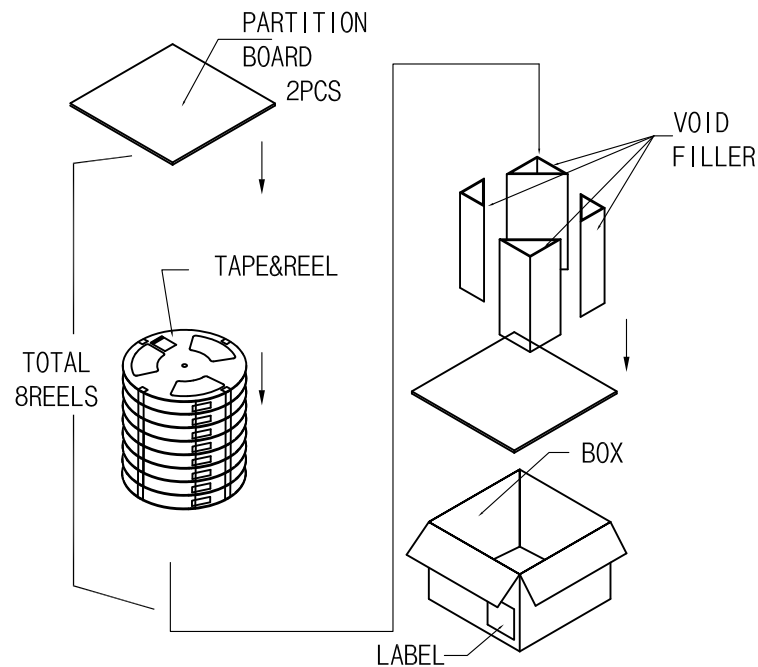
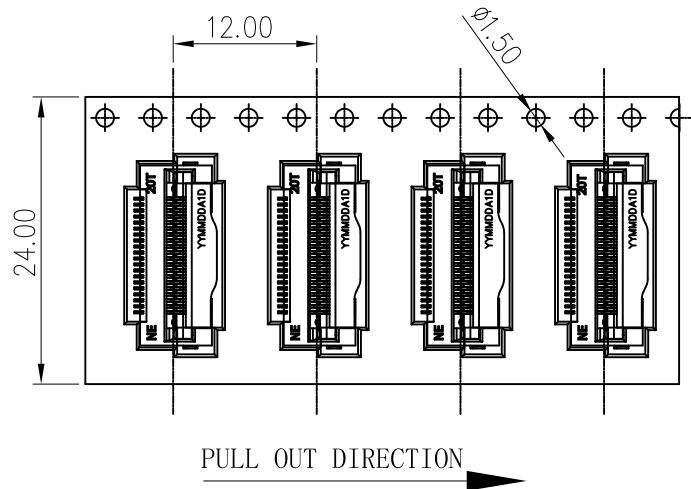


RoHS
COMPLIANT



20	2500	20000
PIN	PCS/REEL	PCS/BOX

F	△A03				TOLERANCE	TITLE:	DRAWN: <i>LEC 2024.06.15</i>	KONNRA 东莞市康瑞电子有限公司 DongGuan Konnra Electronics Co.,Ltd.				
	△A02				X.X ±0.30	NEG1S1 20T CONN.	CHECKED:					
	△A01				X.XX ±0.20	PACKING	APPROVED:	PART NO.: A050092013G0302RL				
	MARK	REVISION DESCRIPTION	SIGNATURE	DATE	X.XXX ±0.10	UNIT:mm	SCALE:1:1	SHEET:3/3	PROJECTION	REV.:A01	DRAWING NO.: A0500902-L-S	
	1	2	3	4	Angle ±2°	5	6	7	8	9		