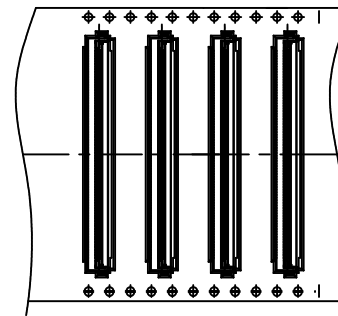
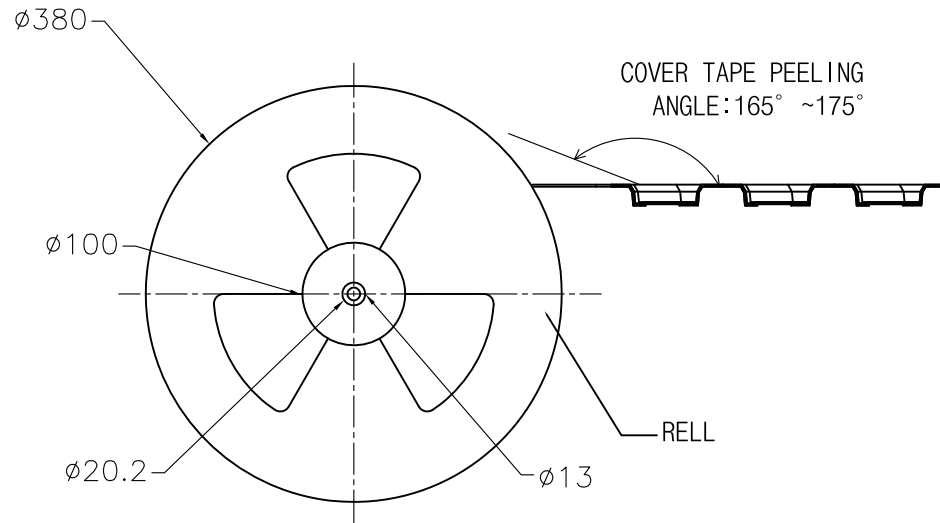
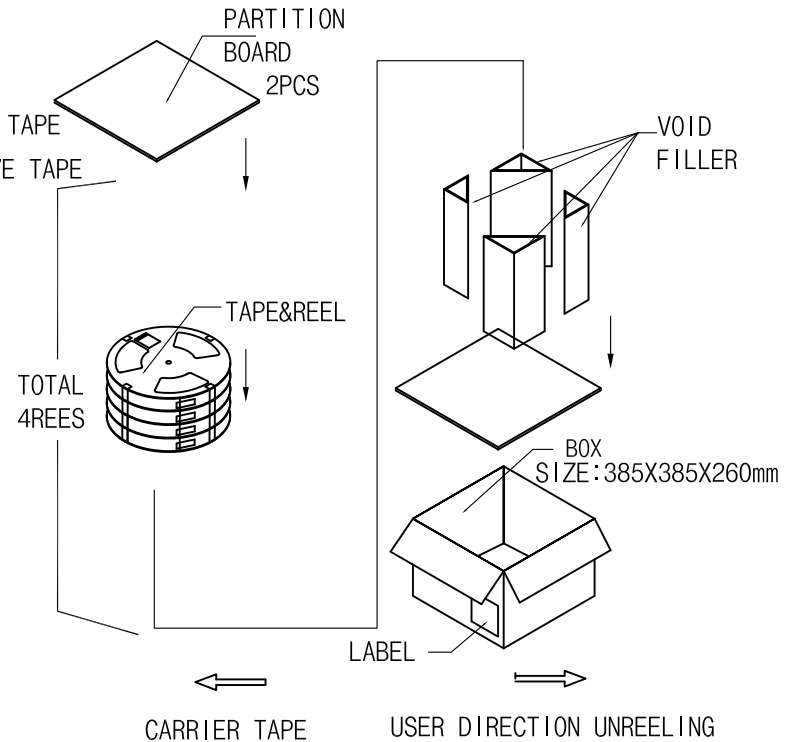
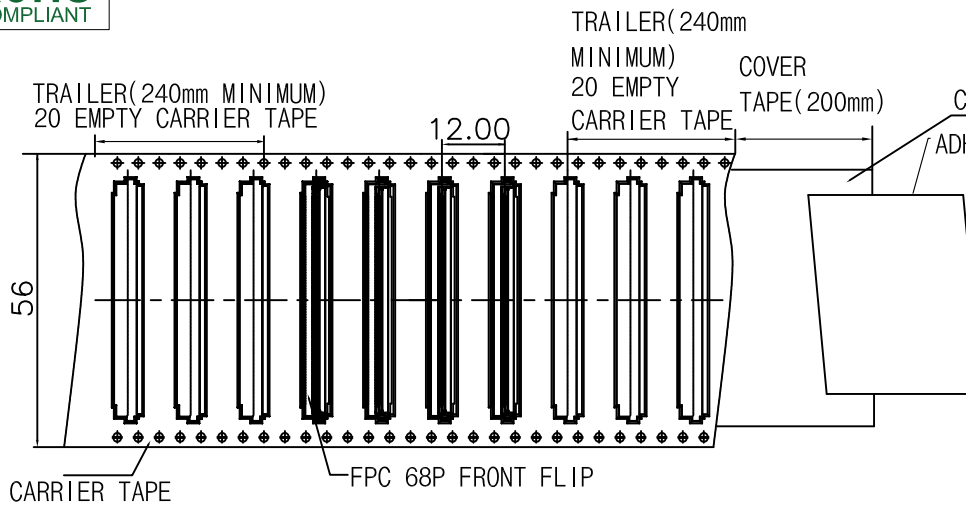


RoHS
COMPLIANT



| | | |
|----------|-----------|---------|
| 3000 | 4 | 12000 |
| PCS/REEL | REELS/BOX | PCS/BOX |

| | | | | | | | | | | | | |
|---|------|----------------------|-----------|------------|----------------|-----------------------|--|-----------|------------|----------|---------------------------|--|
| F | △A03 | | | TOLERANCE | TITLE: | DRAWN: LCC 2024.06.13 | KONNRA 东莞市康瑞电子有限公司 DongGuan Konnra Electronics Co.,Ltd. | | | | | |
| | △A02 | | | X.X ±0.30 | FPC 68.4 CONN. | CHECKED: | | | | | | |
| | △A01 | | | X.XX ±0.20 | PACKING | APPROVED: | PART NO.: A050096813G0305RL | | | | | |
| | MARK | REVISION DESCRIPTION | SIGNATURE | DATE | Angle ±2° | UNIT:mm | SCALE:1:1 | SHEET:2/2 | PROJECTION | REV.:A01 | DRAWING NO.: A0500905-L-S | |
| | 1 | 2 | 3 | 4 | 5 | 6 | 7 | 8 | 9 | | | |