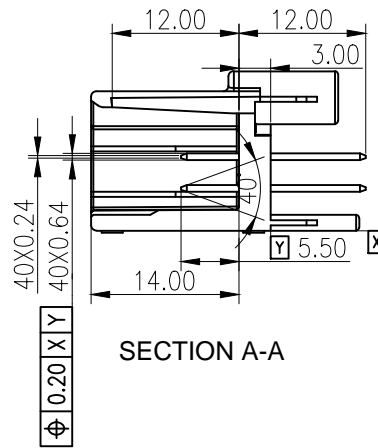
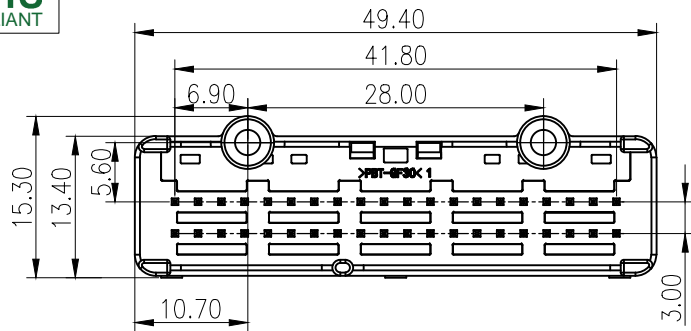


**RoHS**  
COMPLIANT

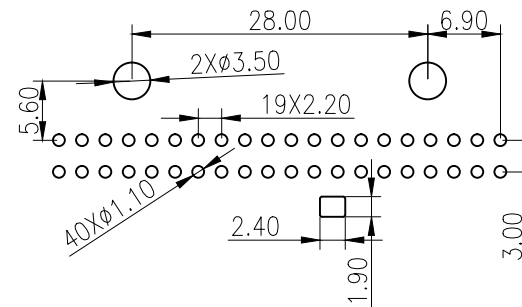
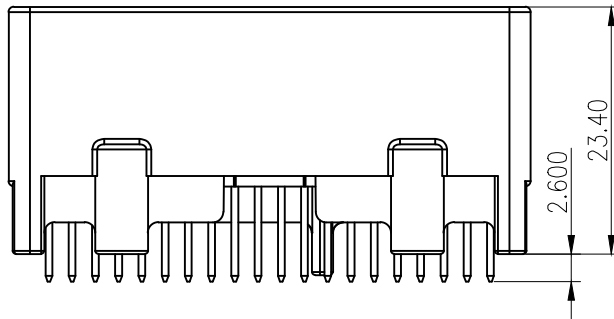


**SPECIFICATIONS**

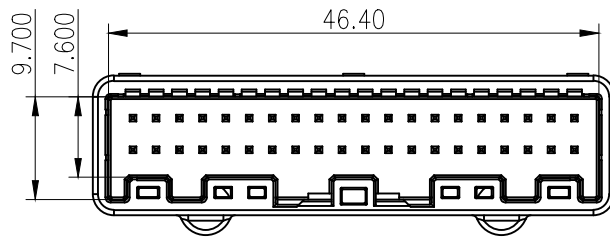
1. Current rating: 3A AC, DC
2. Temperature range: -40°C ~ +105°C
3. Insulation resistance: 1000MΩ min.
4. Withstanding voltage: 500V AC/ minute.
5. Contact resistance: 20mΩ max.

Material:

- Insulator: PBT+30%GF Black
- Contact: Phosphor Bronze
- Plating: Tin flash plated over Nickel



Recommended P.C.B. Layout  
Total tolerance: ±0.05mm



F	△A04				TOLERANCE	TITLE:	DRAWN:	KONNRA 东莞市康瑞电子有限公司 DongGuan Konnra Electronics Co.,Ltd.		
	△A03				X.X ±0.30	PITCH 2.2 FEMALE	CHECKED:			
	△A02				X.XX ±0.20	HEADER DUAL ROW	APPROVED:	PART NO.: C2200VD22002M0101BB		
	MARK	REVISION DESCRIPTION	SIGNATURE	DATE	X.XXX ±0.10	UNIT:mm	SCALE:1:1	SHEET:1/1	PROJECTION	REV.:A01
	1	2	3	4	5	6	7	8	9	