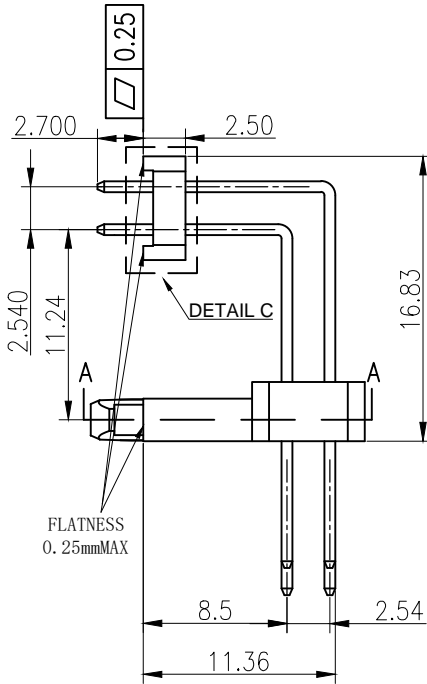
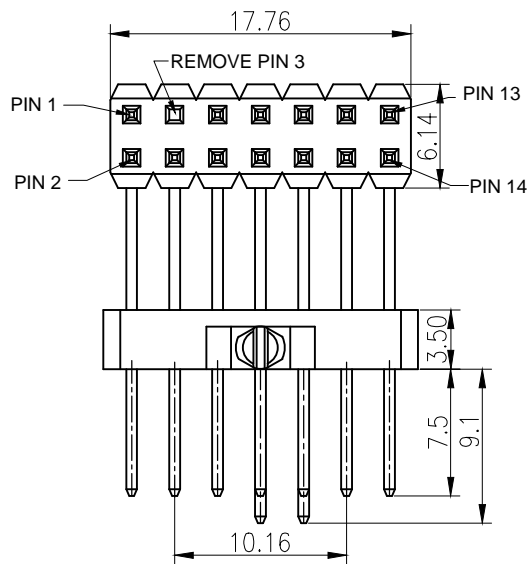


RoHS  
COMPLIANT

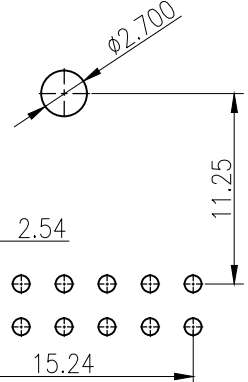
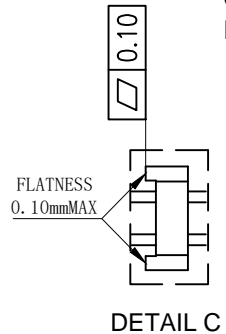


**SPECIFICATIONS**

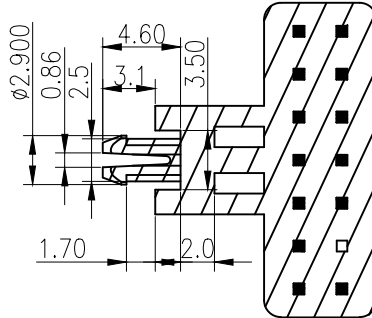
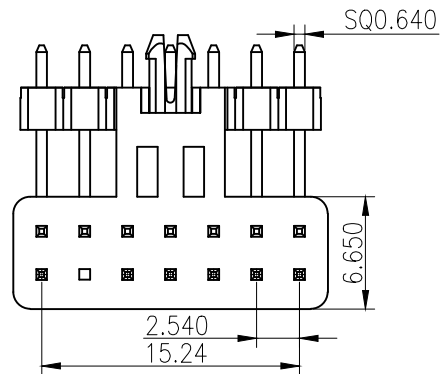
1. Current rating: 3A AC, DC
2. Temperature range: -40°C ~ +105°C
3. Insulation resistance: 1000MΩ min.
4. Withstanding voltage: 500V AC/ minute.
5. Contact resistance: 20mΩ max.

Material:

Insulator: PA6T+30%GF UL 94V-0,Black  
Contact: BRASS  
Plating: gold flash



Recommended P.C.B. Layout  
Total tolerance: ±0.05mm



SECTION A-A

F	△A04				TOLERANCE	TITLE:	DRAWN: LCC 2024.06.13	KONNRA 东莞市康瑞电子有限公司 DongGuan Konnra Electronics Co.,Ltd.	
	△A03				X.X ±0.30	PITCH 2.54 PIN	CHECKED:		
	△A02				X.XX ±0.20	HEADER DUAL ROW	APPROVED:	PART NO.: C2542RD20710G0107BH	
	MARK	REVISION DESCRIPTION	SIGNATURE	DATE	X.XXX ±0.10	90DEGREE	SHEET: 1/1	PROJECTION	REV.: A01
	1	2	3	4	5	6	7	8	9