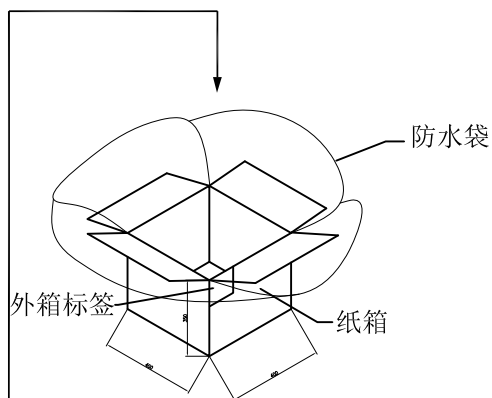
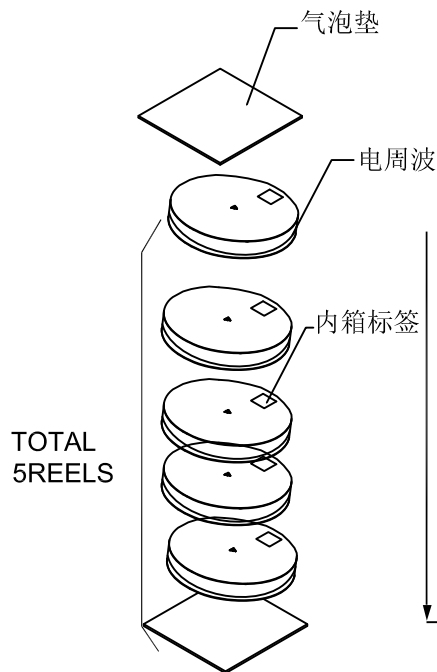
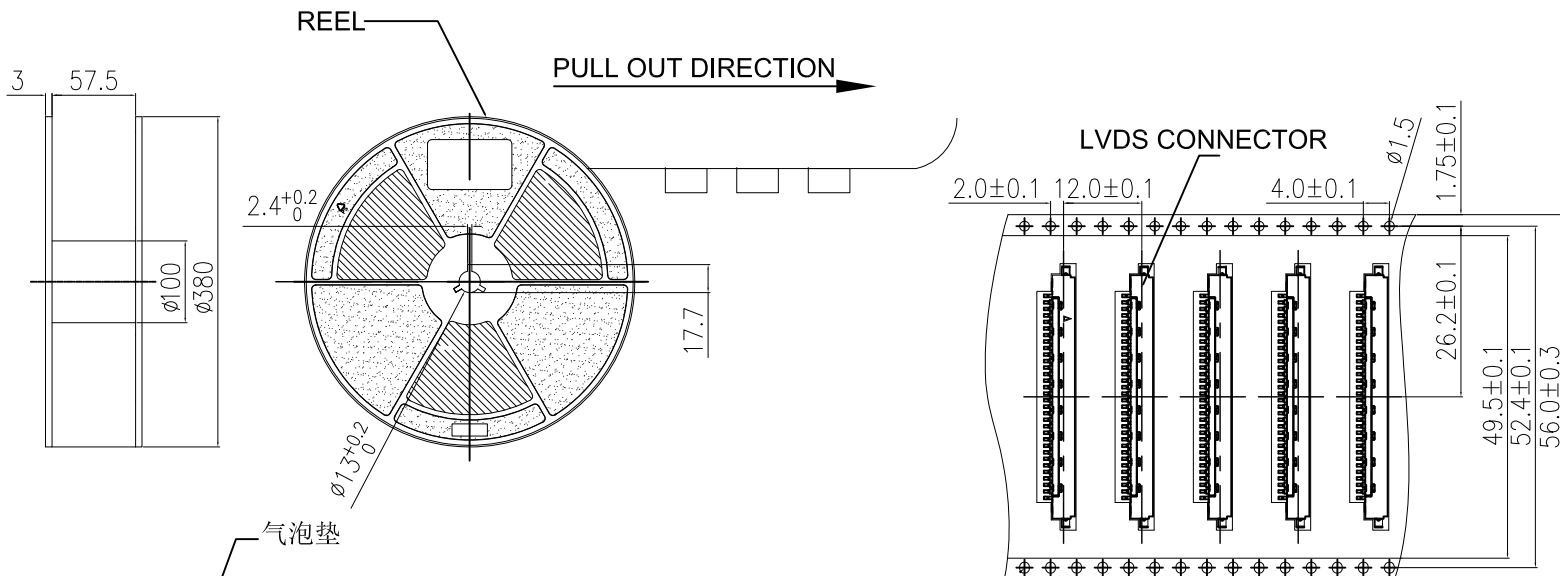


RoHS  
COMPLIANT



2600	5	13000
PCS/ REEL	REELS/ BOX	PCS/BOX

A03  
A02  
A01

MARK

TOLERANCE  
X.X ±0.30  
X.XX ±0.20  
X.XXX ±0.10  
Angle ±2°

TITLE:  
3LVDS REC. 30P  
CONNECTOR ON  
TYPE PACKING

UNIT:mm SCALE:1:1

DRAWN: LCC 2024.06.13  
CHECKED:  
APPROVED:

SHEET:2/2 PROJECTION

KONNRA 东莞市康瑞电子有限公司  
DongGuan Konnra Electronics Co.,Ltd.

PART NO.:C1001RS13213G0201RA

REV.:A01 DRAWING NO.:1001WFRS101-A-S