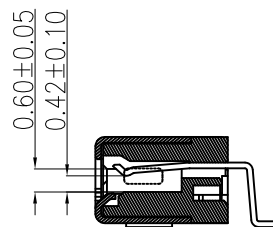
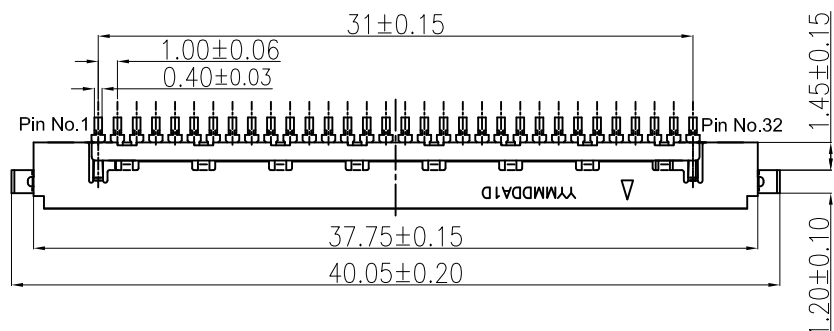


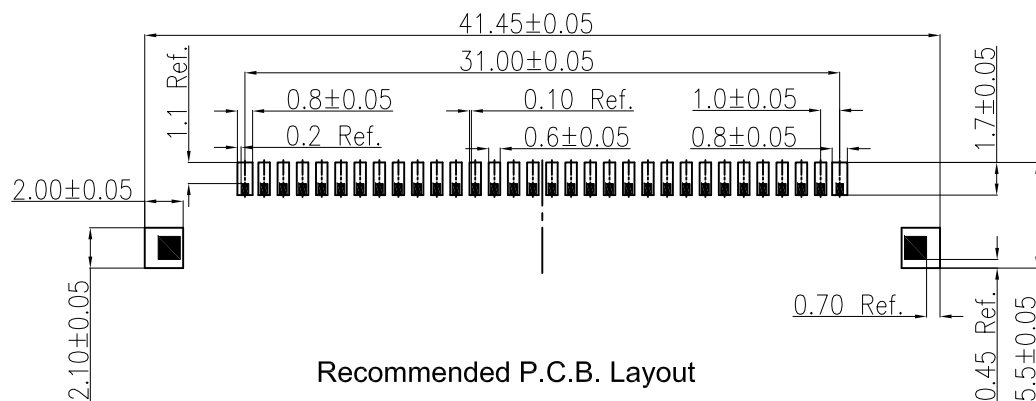
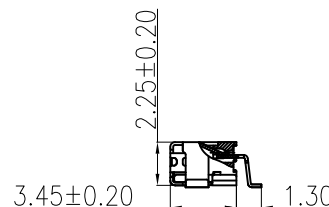
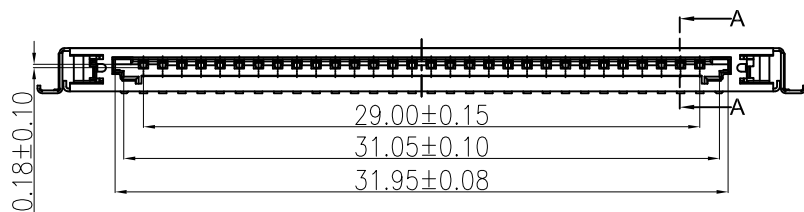
RoHS
COMPLIANT



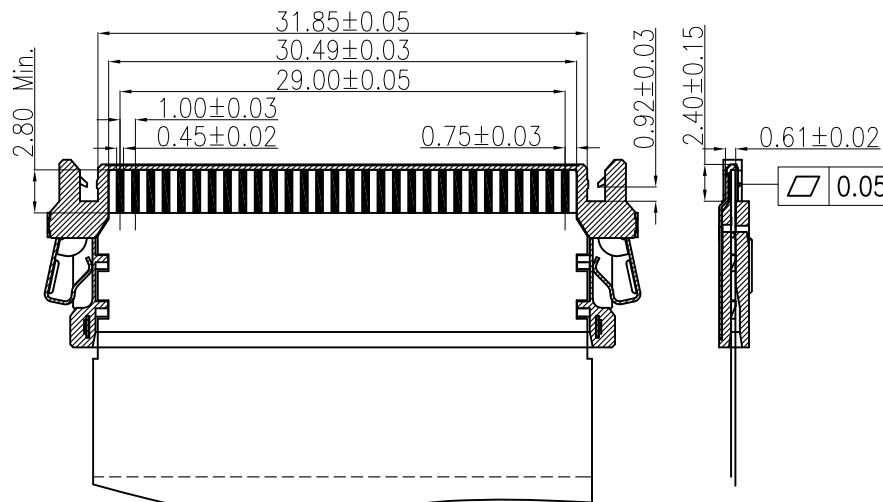
SECTION A-A
SCALE 2:1

NOTES:

- MATERIAL:
HOUSING:HEIGHT THERMOPLASTIC,UL94V_0,COLOR:NATURE
CONTACT:COPPER ALLOY ,T=0.15mm
SHELL:STAINLESS STEEL,T=0.15mm
- FINISH:
CONTACT:1u"-3u" GOLD PLATING ON CONTACT AREA
MATTE TIN 75u" Min OVERALL 50u" NICKEL UNDR PLATED.(LEAD FREE)
SHELL:50u" Min MATTE TIN OVERALL 50u" Min NICKEL UNDER PLATED.(LEAD FREE)
- COPLANARITY BETWEEN TERMINAL AND HOLD DOWN OF SHELL SHOULD BE 0.08mm MAX.



Recommended P.C.B. Layout



Recommended Plug

A03
A02
A01

TOLERANCE
X.X ±0.30
X.XX ±0.20
X.XXX ±0.10
Angle ±2°

TITLE:
LVDS REC. 30P
CONNECTOR ON
TYPE

DRAWN: LCC 2024.06.13
CHECKED:
APPROVED:

KONNRA 东莞市康瑞电子有限公司
DongGuan Konnra Electronics Co.,Ltd.
PART NO.: C1001RS13213G0201RA

MARK	REVISION DESCRIPTION	SIGNATURE	DATE	UNIT:mm	SCALE:1:1	SHEET:1/2	PROJECTION	REV.:A01	DRAWING NO.:1001WFRS101-A-S
------	----------------------	-----------	------	---------	-----------	-----------	------------	----------	-----------------------------

1 2 3 4 5 6 7 8 9