

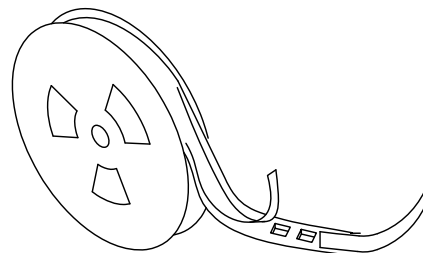
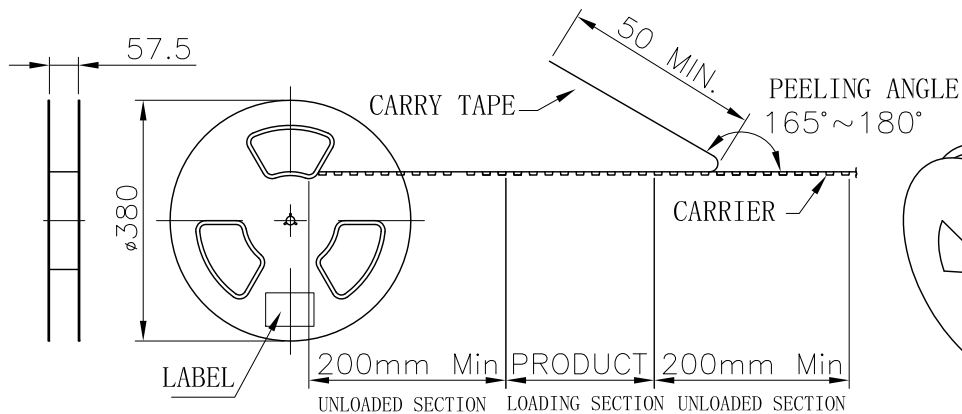
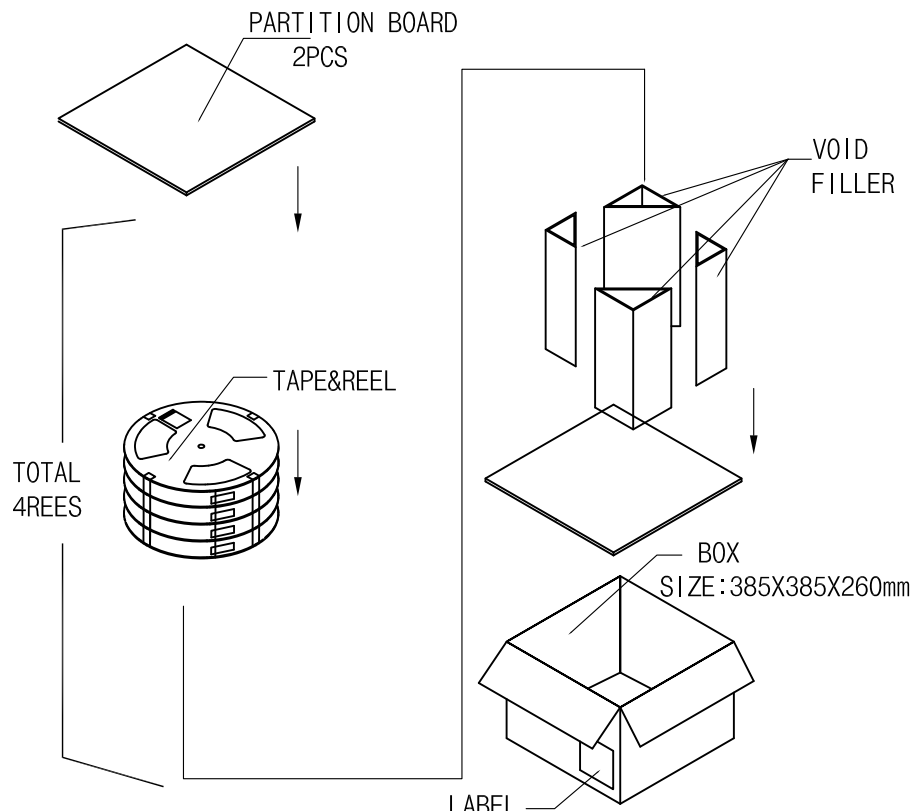
RoHS  
COMPLIANT

12.00±0.10  
4.00±0.10

$\phi 1.50^{+0.10}_{-0.00}$

56.00±0.30  
52.40±0.10

PULL OUT DIRECTION



1800	4	7200
PCS/ REEL	REELS/ BOX	PCS/BOX

F					TOLERANCE	TITLE:	DRAWN:	<b>KONNRA</b> 东莞市康瑞电子有限公司 DongGuan Konnra Electronics Co.,Ltd. PART NO.: C0501RS15114G0301RB REV.: A01 DRAWING NO.: 0501WFRS101-B-S		
					X.X ±0.30	LVDS 51P REC	CHECKED:			
					X.XX ±0.20	CONN. PACKING	APPROVED:			
	MARK	REVISION DESCRIPTION	SIGNATURE	DATE	X.XXX ±0.10	UNIT:mm	SCALE:1:1	SHEET:2/2	PROJECTION	

1 2 3 4 5 6 7 8 9