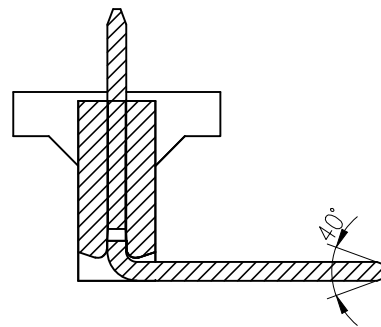
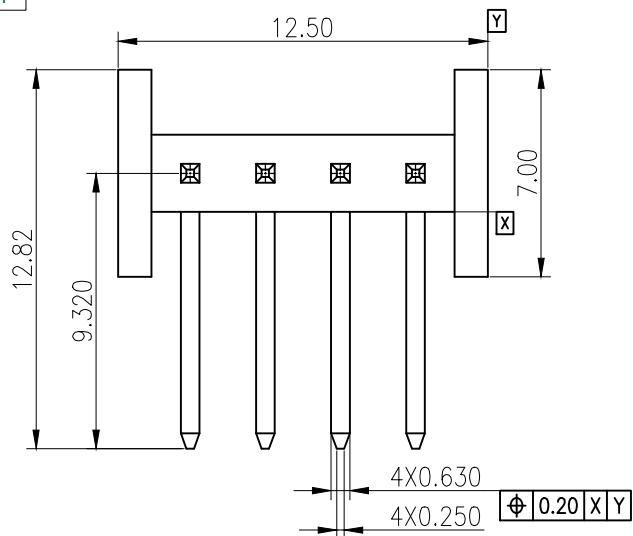


RoHS  
COMPLIANT



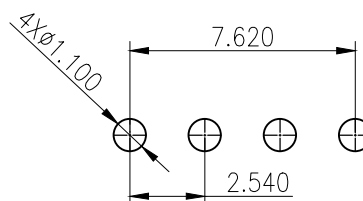
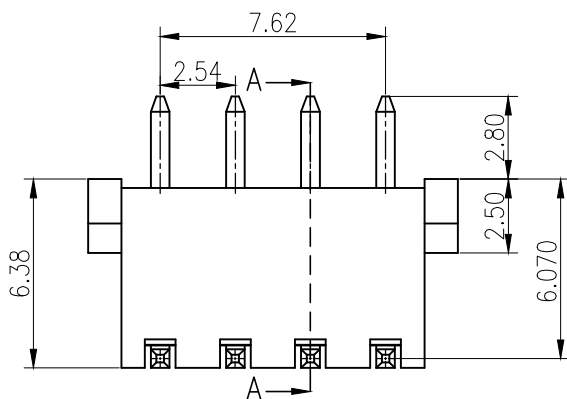
SECTION A-A

**SPECIFICATIONS**

1. Current rating: 3A AC, DC
2. Temperature range: -40°C ~ +105°C
3. Insulation resistance: 1000MΩ min.
4. Withstanding voltage: 500V AC/ minute.
5. Contact resistance: 20mΩ max.

**Material:**

Insulator: PBT+20%GF Black  
Contact: Phosphor Bronze  
Plating: Tin flash plated over Nickel



Recommended P.C.B. Layout  
Total tolerance:±0.05mm

F	△A04				TOLERANCE	TITLE:	DRAWN:	KONNRA 东莞市康瑞电子有限公司 DongGuan Konnra Electronics Co.,Ltd.		
	△A03				X.X ±0.30	PITCH 2.0 PIN	CHECKED:			
	△A02				X.XX ±0.20	HEADER 90DEGREE	APPROVED:	PART NO.:C2542RD10410M0108BH		
	MARK	REVISION DESCRIPTION	SIGNATURE	DATE	X.XXX ±0.10	UNIT:mm	SCALE:1:1	SHEET:1/1	PROJECTION	REV.:A01
	1	2	3	4	5	6	7	8	9	