

**RoHS**  
COMPLIANT

◆ SPECIFICATIONS

- Current rating: 2.5A AC, DC
- Voltage rating: 250V AC, DC
- Temperature range: -40°C ~ +105°C
- Insulation resistance: 1000MΩ Min.
- Withstanding voltage: 500V AC/ minute.
- Contact resistance: 20mΩ Max.

Material:

Insulator: LCP UL 94V-0

Contact: Brass

Plating: Tin plated over Nickel

Suitable: KR1500 series Housing

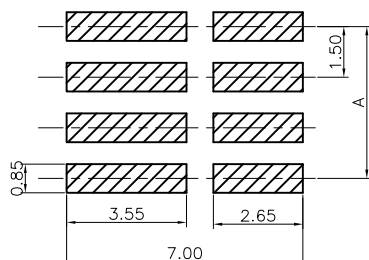
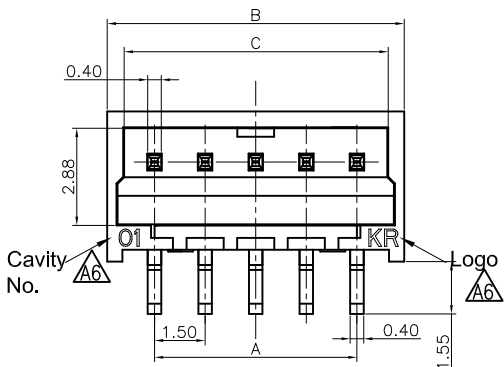
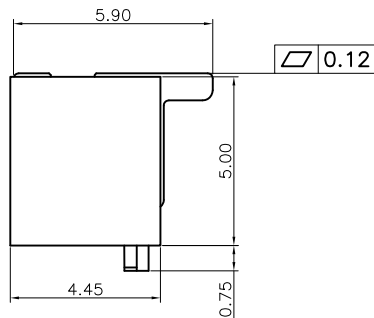
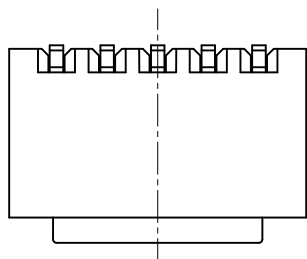
C1500VS \*\*\*13M0101RA

102: 2P

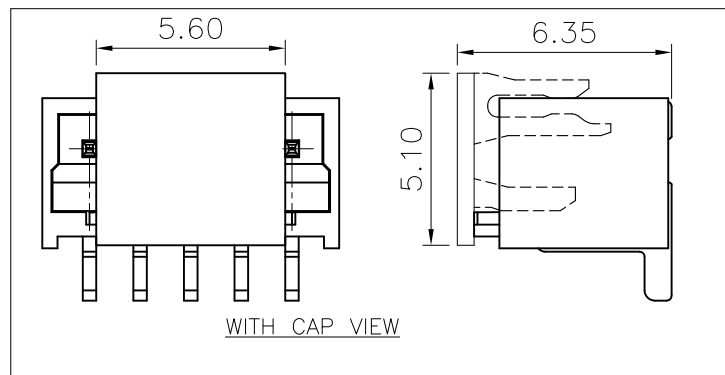
115: 15P

△07 13: LCP NATURAL  
62: LCP GRAY

M01: MITTE TIN  
G01: G/F



P.C.Board Layout



Dimensions

Pin	A	B	C
2P	1.50	4.30	3.35
3P	3.00	5.80	4.85
4P	4.50	7.30	6.35
5P	6.00	8.80	7.85
6P	7.50	10.30	9.35
7P	9.00	11.80	10.85
8P	10.50	13.30	12.35
9P	12.00	14.80	13.85
10P	13.50	16.30	15.35
11P	15.00	17.80	16.85
12P	16.50	19.30	18.35
13P	18.00	20.80	19.85
14P	19.50	22.30	21.35
15P	21.00	23.80	22.85

MARK	REVISION DESCRIPTION	SIGNATURE	DATE	TOLERANCE	TITLE:	UNIT:mm	SCALE:N/A	SHEET:1/1	PROJECTION	REV.:A07	DRAWING NO.:1500WVS01-A-S
△07	Add specification	ZSZ	2024.04.03	X.X ±0.30	MX1.5 SMT 180° Wafer	DRAWN: ru qi 2020.03.10			REV.:A07	PART NO.:C1500VS***13M0101RA	DongGuan Konnra Electronics Co.,Ltd.
△06	Uniform identification and cavity number locations	Arvin	2022.05.30	X.XX ±0.20							
△05	Uniformly arrange the drawings	Shen	2022.03.15	X.XXX ±0.10							
				Angle ±2°							

△07  
△06  
△05

**KONNRA** 东莞市康瑞电子有限公司  
DongGuan Konnra Electronics Co.,Ltd.  
PART NO.:C1500VS\*\*\*13M0101RA