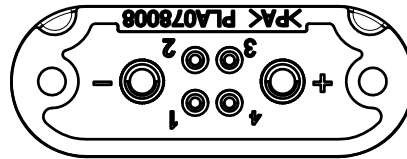
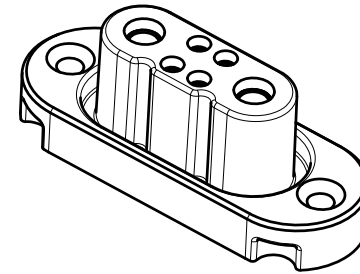
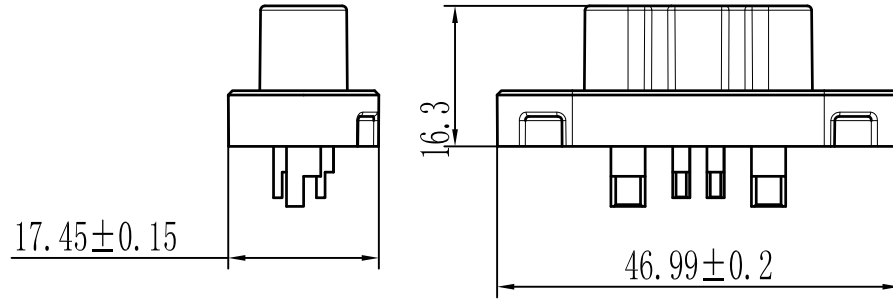
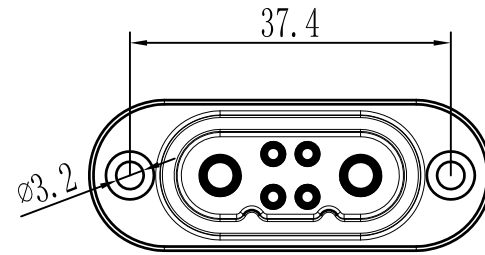


RoHS
COMPLIANT

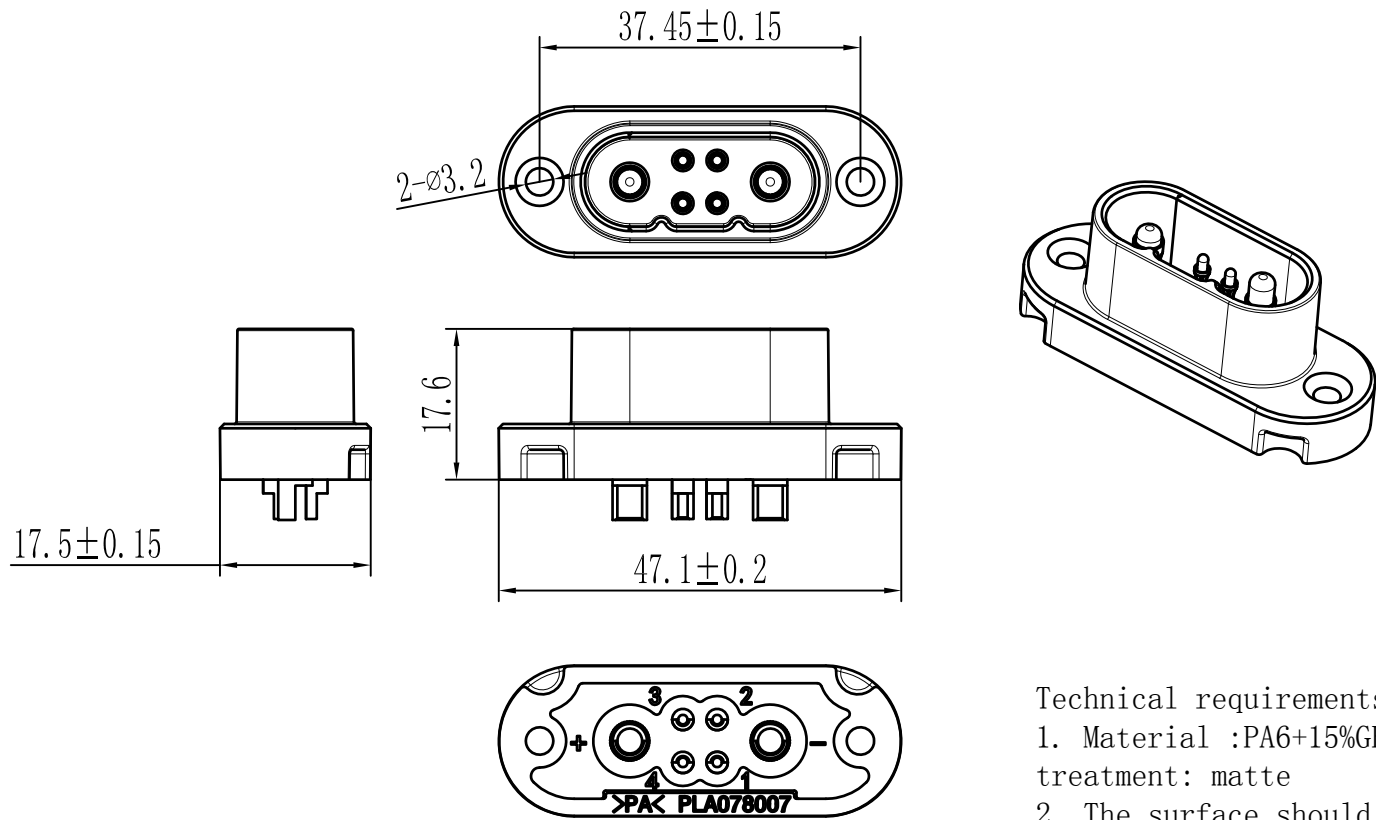


Technical requirements:

1. Material :PA6+15%GF, color: black, surface treatment: matte finish
2. The surface should have no damage, no obvious color difference, scratch, dent, flash
3. No dimensional tolerances are specified according to the attached table
4. Products should be free of harmful substances and meet ROHS requirements
5. Compare sealing samples for other items not noted

F					TOLERANCE X.X ±0.30 X.XX ±0.20 X.XXX ±0.10 Angle ±2°	TITLE: 放电母插组件 SSE-078 松下一号	DRAWN: ZSZ 2023.12.15		KONNRA 东莞市康瑞电子有限公司		
							CHECKED:		DongGuan Konnra Electronics Co., Ltd.		
							APPROVED:		PART NO.: QZ000351		
	MARK	REVISION DESCRIPTION	SIGNATURE	DATE	UNIT: mm	SCALE: N/A	SHEET: 1/1	PROJECTION	REV.: A1	DRAWING NO.: QZ000351S	
	1	2	3	4	5	6	7	8	9		

RoHS
COMPLIANT



- Technical requirements:
1. Material :PA6+15%GF, color: black, surface treatment: matte
 2. The surface should have no damage, no obvious color difference, scratch, dent, flash
 3. No dimensional tolerance is shown in the attached table
 4. Products should be free from harmful substances and meet health and safety requirements
 5. Compare sealing samples for other items not noted

F					TOLERANCE X.X ±0.30 X.XX ±0.20 X.XXX ±0.10 Angle ±2°	TITLE: 放电公插组件 SSE-078 松下一号	DRAWN: ZSZ 2023.12.15		KONNRA 东莞市康瑞电子有限公司		
							CHECKED:		DongGuan Konnra Electronics Co., Ltd.		
							APPROVED:		PART NO.: QZ000350		
	MARK	REVISION DESCRIPTION	SIGNATURE	DATE			UNIT: mm	SCALE: N/A	SHEET: 1/1	PROJECTION	REV.: A1
	1	2	3	4	5	6	7	8	9		