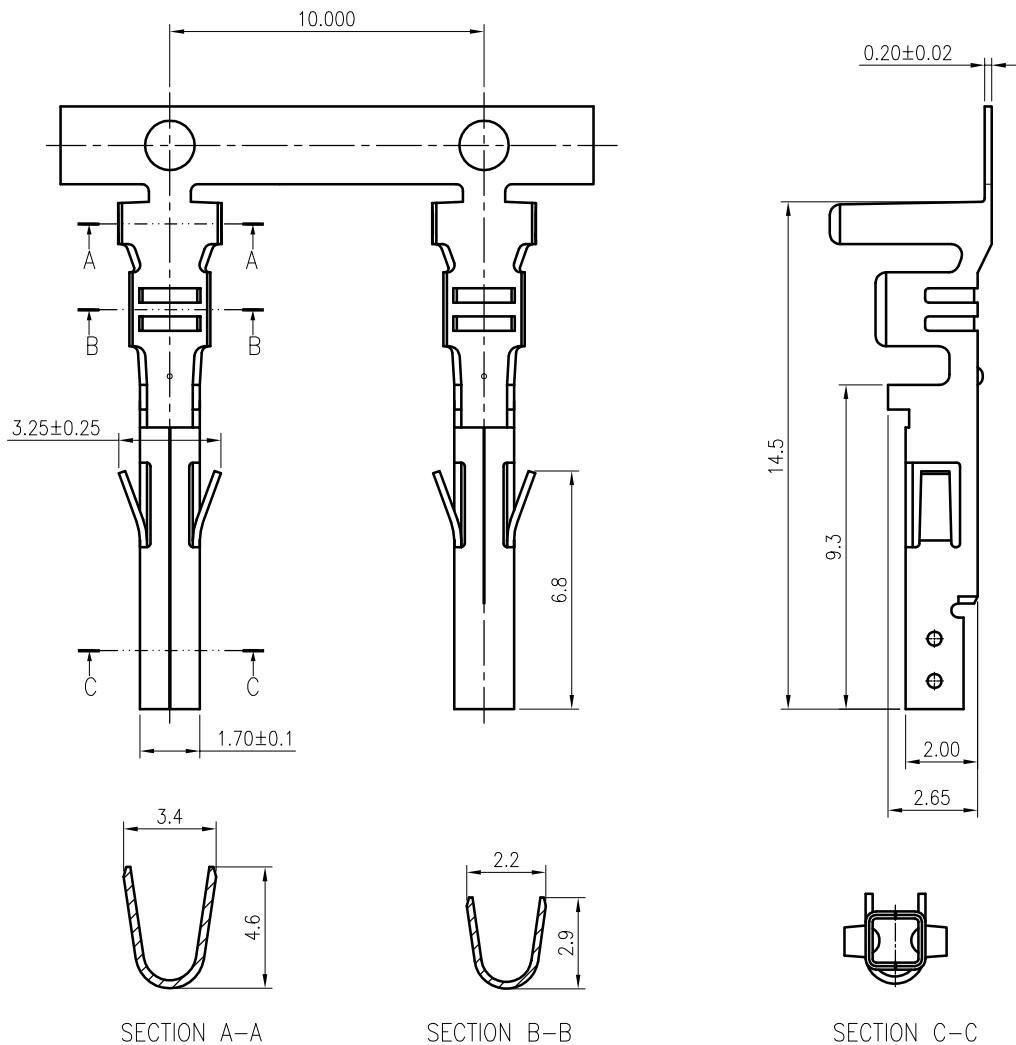


RoHS
COMPLIANT



SPECIFICATIONS

1. Current rating: 9A AC, DC(AWG#16,2 Circuit)
2. Voltage rating:600V AC,DC
3. Temperature range: -40°C ~ +105°C
4. Insulation resistance: 1000MΩ/ min.
5. Withstanding voltage: 1500V AC/ minute.
6. Contact resistance: 10mΩ/ max.

Material: Brass or phosphor bronze

Plating: Tin plated over Nickel

Applicable wire:

Conductor size: AWG#16~#20

Insulation O.D.: 3.10mm Max.

Q'ty/reel: 4,500pcs

Suitable KR4200 series male housing

Ordering Code:

T4200F B T01 01 B

Material:

B: Brass

P: Phosphor

Bronze

Plating

T01: Tin plated

G01: Gold plated 0.8u"

B01: Selective gold plated 0.8u"

Type

01: Stamping after plating
High foot

04: Stamping before plating
High foot

F		Uniformly arrange the drawings	ZSZ	2022.01.16	TOLERANCE X. X ± 0.30 X. XX ± 0.20 X. XXX ± 0.10 Angle ± 2°	TITLE: MX4.2 Female Terminal High foot	DRAWN: Arvin 2020.05.18		KONNRA 东莞市康瑞电子有限公司	
		Change part number description	Arvin	2020.05.18			CHECKED:		DongGuan Konnra Electronics Co., Ltd.	
		Change the part number and frame format	Arvin	2020.04.22			APPROVED:		PART NO. : T4200F*****B	
MARK	REVISION DESCRIPTION	SIGNATURE	DATE	UNIT: mm	SCALE: N/A	SHEET: 1/1	PROJECTION	VER. : A4	DRAWING NO. : 4200TF01-B-S	
1	2	3	4	5	6	7	8	9		