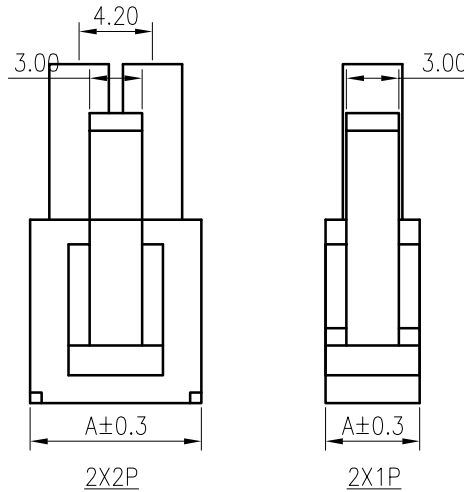
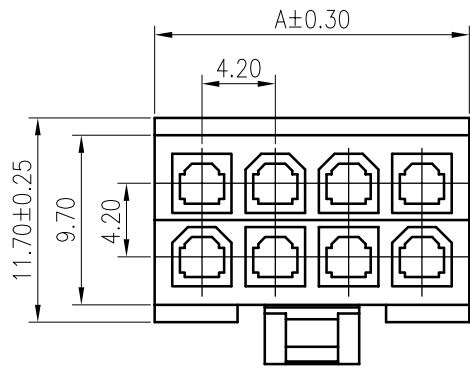


RoHS
COMPLIANT



SPECIFICATIONS

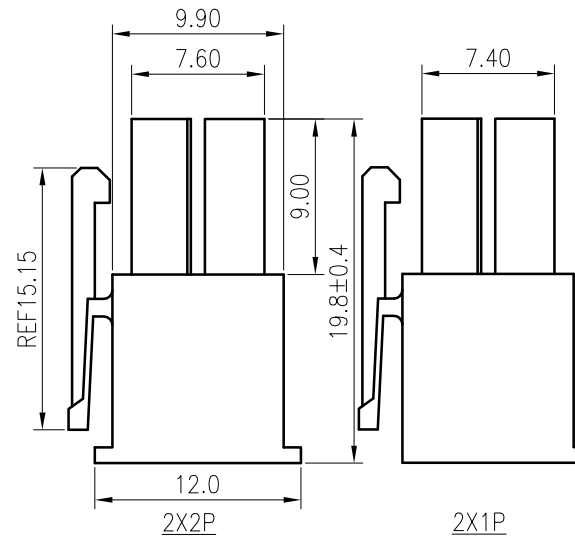
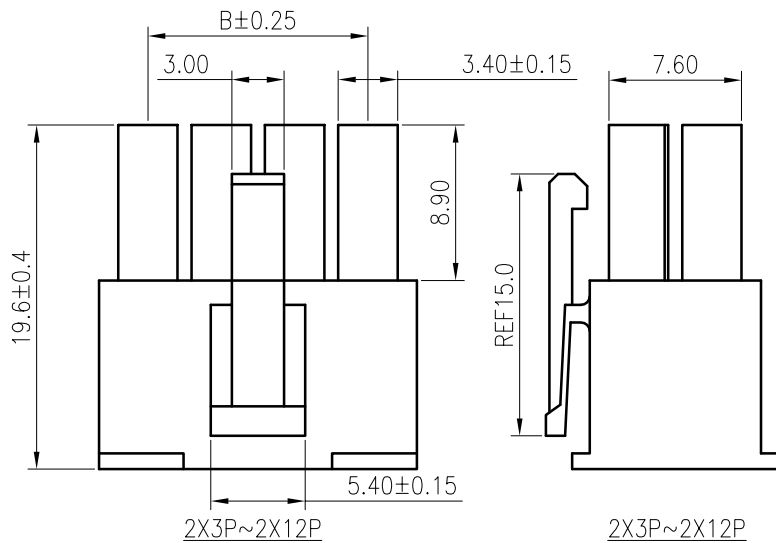
1. Current rating: 9A(2P AWG#16) AC, DC
2. Voltage rating: 600V AC, DC
3. Temperature range: -40°C ~ +105°C
4. Insulation resistance: 1000MΩ/ min.
5. Withstanding voltage: 1500V AC/ minute.
6. Contact resistance: 10mΩ/ max.

Material: Nylon 66 UL94 V-2 or V-0
Suitable KR4200 series female terminal
Mate with KR4200 series double row female housing or wafer

Ordering Code:

H4200M *** ** 01A

No. of Circuits $\left\{ \begin{array}{l} 201:2x1,212:2x12 \\ \text{Insulator Material} \end{array} \right.$
 01:PA66 White V0
 02:PA66 Black V0
 04:PA66 Black V2
 16:PA66 Transparent V2
 38:PA66 Blue V2
 39:PA66 Green V2



Circuits	Dimensions		Circuits	Dimensions	
	A	B		A	B
2x1	5.50	/	2x7	30.70	25.20
2x2	9.70	4.20	2x8	34.90	29.40
2x3	13.90	8.40	2x9	39.10	33.60
2x4	18.10	12.60	2x10	43.30	37.80
2x5	22.30	16.80	2x11	47.50	42.00
2x6	26.50	21.00	2x12	51.70	46.20

$\triangle 7$				
$\triangle 6$				
$\triangle 5$	Uniformly arrange the drawings	ZSZ	2022.01.16	
MARK	REVISION DESCRIPTION	SIGNATURE	DATE	

TOLERANCE
 X.X ±0.30
 X.XX ±0.20
 X.XXX ±0.10
 Angle ±2°

TITLE:
 MK4.2 Double Row
 Male Housing

DRAWN: Arvin 2020.03.25

CHECKED:

APPROVED:

UNIT: mm **SCALE:** N/A

SHEET: 1/1

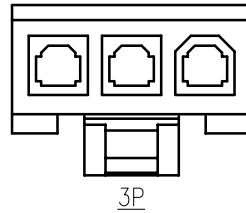
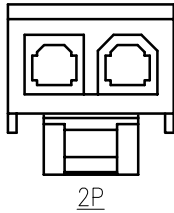
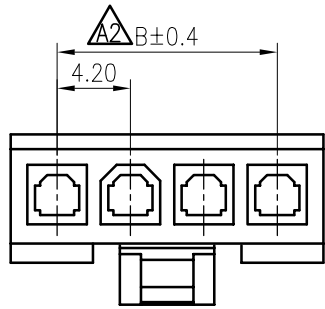
PROJECTION:

KONNRA 东莞市康瑞电子有限公司
 DongGuan Konnra Electronics Co., Ltd.

PART NO.: H4200M xxx xx01A

REV.: A5 **DRAWING NO.:** 4200HM01-A-S

RoHS
COMPLIANT



SPECIFICATIONS

1. Current rating: 9A(2P AWG#16) AC, DC
2. Voltage rating:600V AC,DC
3. Temperature range: -40°C ~ +105°C
4. Insulation resistance: 1000MΩ/ min.
5. Withstanding voltage: 1500V AC/ minute.
6. Contact resistance: 10mΩ/ max.

Material: Nylon 66 UL94 V-2 or V-0
Suitable KR4200 series female terminal
Mate with KR4200 series single row female housing or wafer



Ordering Code:

H4200M *** ** 01A

No. of Circuits
102:2,106:6

Insulator Material

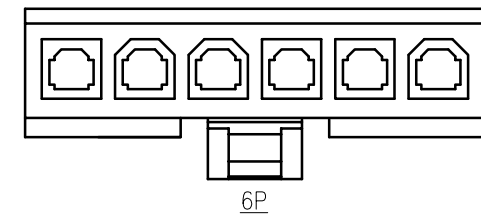
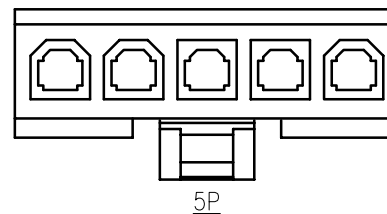
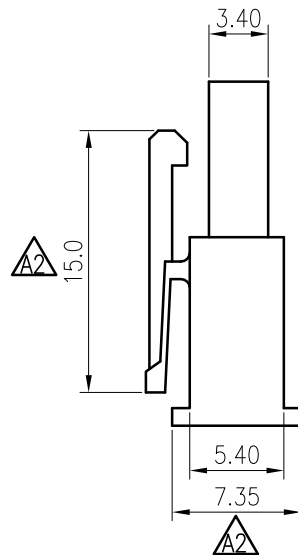
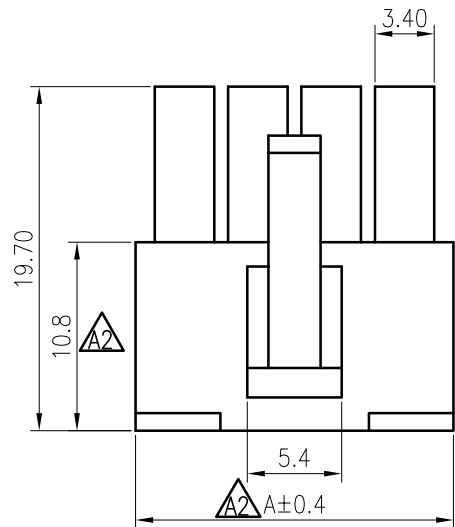
01:PA66 White V0

02:PA66 Black V0

04:PA66 Black V2

16:PA66 Transparent V2

Circuits	Dimensions	
	A	B
2	9.55	4.20
3	13.75	8.40
4	17.90	12.60
5	22.25	16.80
6	26.60	21.00



MARK

REVISION	DESCRIPTION	SIGNATURE	DATE
A5			
A4	Uniformly arrange the drawings	ZSZ	2022.01.16
A3	Change the part number and frame format	Arvin	2020.04.20

TOLERANCE
X.X ±0.30
X.XX ±0.20
X.XXX ±0.10
Angle ±2°

TITLE:
MK4.2 Single Row
Male Housing

UNIT: mm SCALE: N/A

DRAWN: Arvin 2020.04.20

CHECKED:

APPROVED:

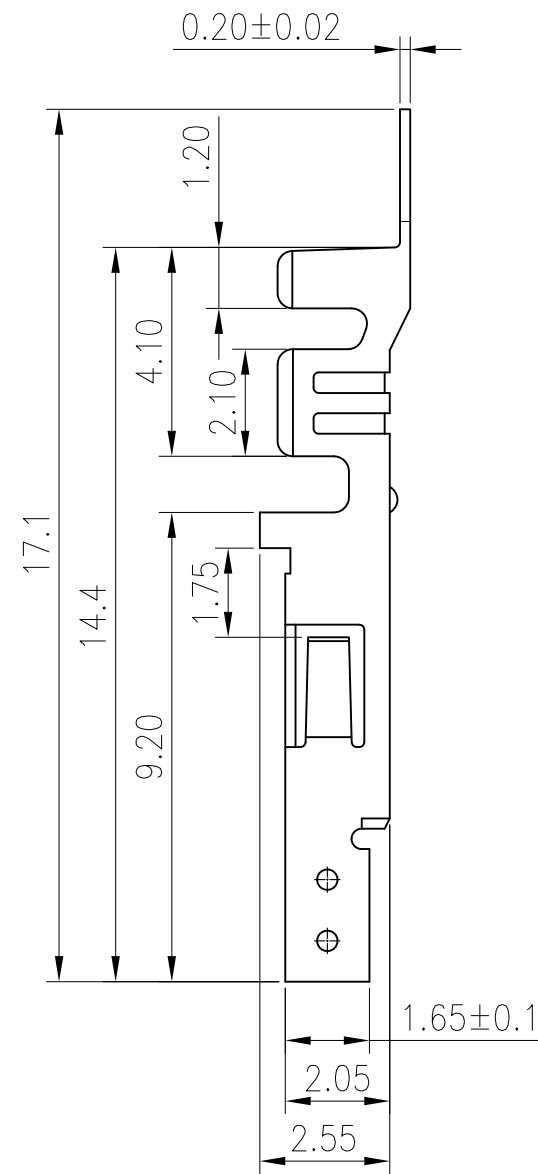
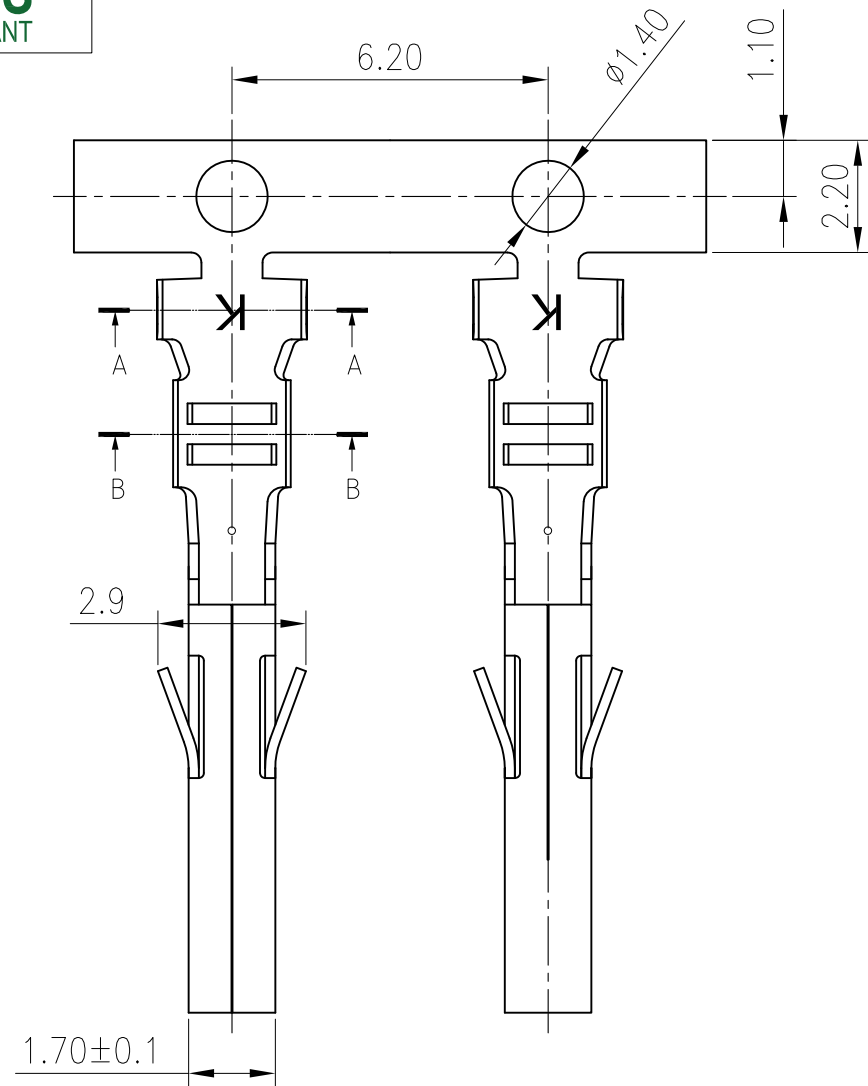
SHEET: 1/1 PROJECTION

KONNRA 东莞市康瑞电子有限公司
DongGuan Konnra Electronics Co., Ltd.

PART NO.: H4200M xxx xx01A

REV.: A4 DRAWING NO.: 4200HM01-A-S

RoHS
COMPLIANT



◆ SPECIFICATIONS

- Current rating: 9A AC, DC(AWG#16,2 Circuit)
- Voltage rating: 600V AC,DC
- Temperature range: -40°C ~ +105°C
- Insulation resistance: 1000MΩ Min.
- Withstanding voltage: 1500V AC/ minute.
- Contact resistance: 10mΩ Max.

Material: Brass or Phosphor Bronze

Plating: Tin plated over Nickel

Applicable wire:

Conductor size: AWG#20~#24

Insulation O.D.: 1.10mm~1.80mm

Q'ty/reel: 10,000pcs

Ordering Code:

T4200F****02A

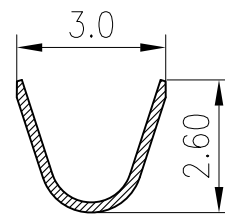
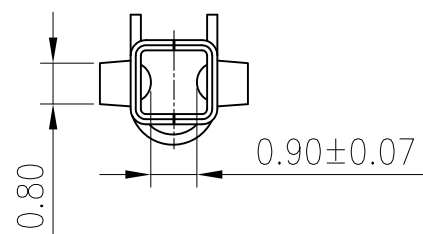
B:BRASS

P:Phosphorus

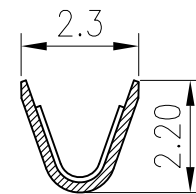
copper

S00:Material

T01: Tin Plated



SECTION A-A



SECTION B-B



MARK

MARK	REVISION DESCRIPTION	SIGNATURE	DATE
A4			
A3	Uniformly arrange the drawings	Shen	2021.09.22
A2	Change the part number and frame format	TLX	2020.05.14

TOLERANCE

X.X ±0.3

X.XX ±0.2

X.XXX ±0.1

Angle ±1°

TITLE:
MX4.2 Male Terminal
short foot

UNIT:mm

SCALE:1/1

DRAWN: Shen 2021.09.22

CHECKED:

APPROVED:

SHEET:1/1

PROJECTION

KONNRA 东莞市康瑞电子有限公司

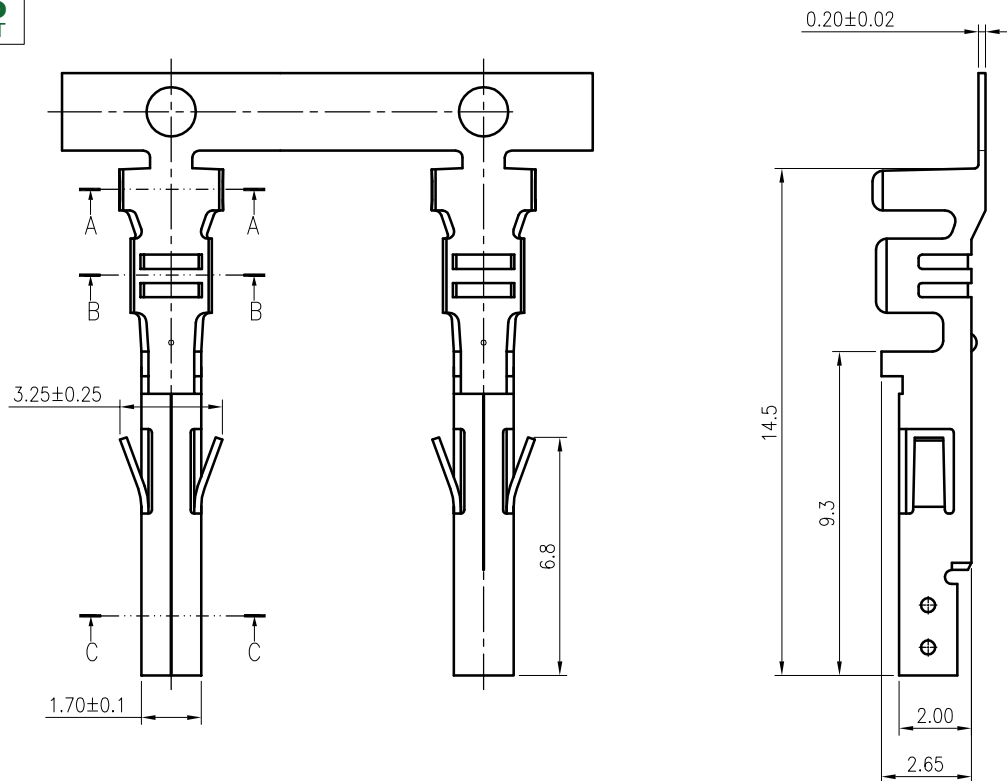
DongGuan Konnra Electronics Co.,Ltd.

PART NO.:T4200F****02A

REV.:A3

DRAWING NO.:4200TF01-A-S

RoHS
COMPLIANT



SPECIFICATIONS

1. Current rating: 9A AC, DC(AWG#16,2 Circuit)
2. Voltage rating:600V AC,DC
3. Temperature range: -40°C ~ +105°C
4. Insulation resistance: 1000MΩ/ min.
5. Withstanding voltage: 1500V AC/ minute.
6. Contact resistance: 10mΩ/ max.

Material: Brass

Plating: Tin plated over Nickel

Applicable wire:

Conductor size: AWG#18~#22

Insulation O.D.: 2.50mm Max.

Q'ty/reel: 4,500pcs

Suitable KR4200 series male housing

Ordering Code:

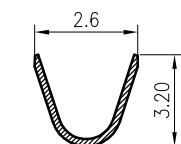
T4200FB T01 03B

Plating

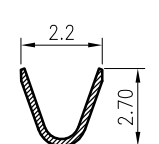
T01: Tin plated

G01: Gold plated 0.8u"

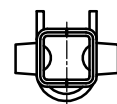
B01: Selective gold plated 0.8u"



SECTION A-A



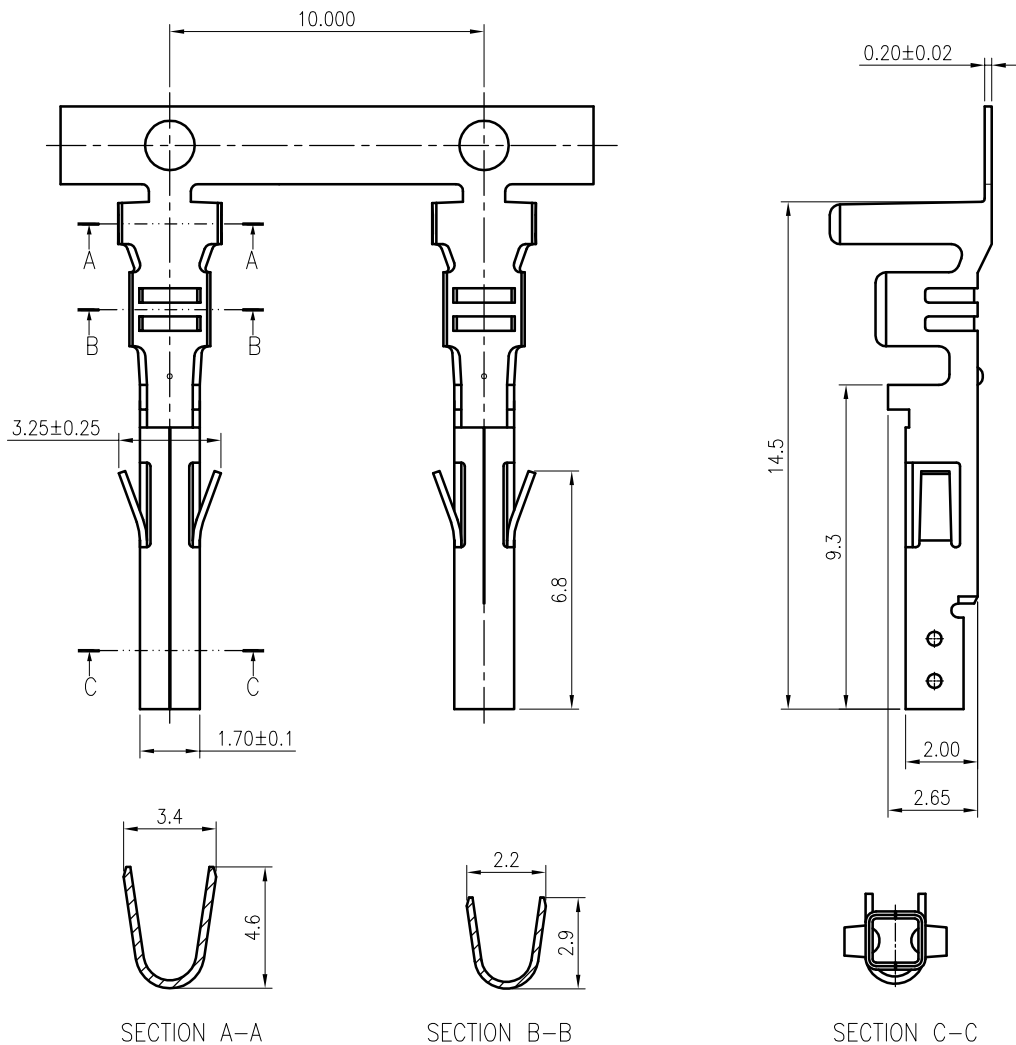
SECTION B-B



SECTION C-C

F					TOLERANCE X. X ± 0.30 X. XX ± 0.20 X. XXX ± 0.10 Angle ± 2°	TITLE: MX4.2 Female Terminal medium length foot	DRAWN: Arvin 2020.04.22	KONNRA 东莞市康瑞电子有限公司		
		Uniformly arrange the drawings	ZSZ	2022.01.16			CHECKED:	DongGuan Konnra Electronics Co., Ltd.		
		Change the part number and frame format	Arvin	2020.04.22			APPROVED:	PART NO. : T4200FB***03B		
	MARK	REVISION DESCRIPTION	SIGNATURE	DATE			UNIT: mm	SCALE: N/A	SHEET: 1/1	PROJECTION
	1	2	3	4	5	6	7	8	9	

RoHS
COMPLIANT



SPECIFICATIONS

1. Current rating: 9A AC, DC(AWG#16,2 Circuit)
2. Voltage rating:600V AC,DC
3. Temperature range: -40°C ~ +105°C
4. Insulation resistance: 1000MΩ/ min.
5. Withstanding voltage: 1500V AC/ minute.
6. Contact resistance: 10mΩ/ max.

Material: Brass or phosphor bronze

Plating: Tin plated over Nickel

Applicable wire:

Conductor size: AWG#16-#20

Insulation O.D.: 3.10mm Max.

Q'ty/reel: 4,500pcs

Suitable KR4200 series male housing

Ordering Code:

T4200F B T01 01 B

Material:

B: Brass

P: Phosphor

Bronze

Plating

T01: Tin plated

G01: Gold plated 0.8u"

B01: Selective gold plated 0.8u"

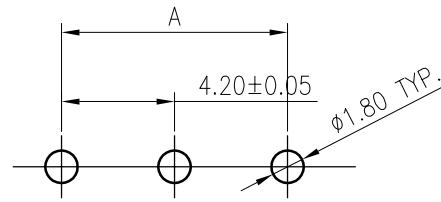
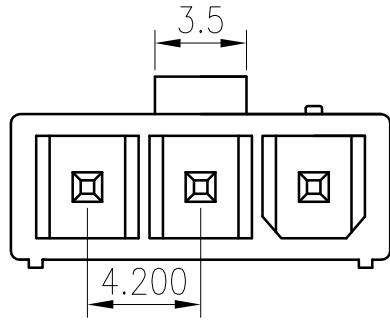
Type

01: Stamping after plating
High foot

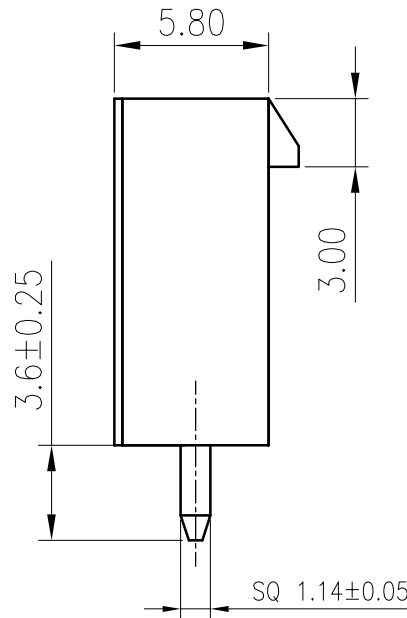
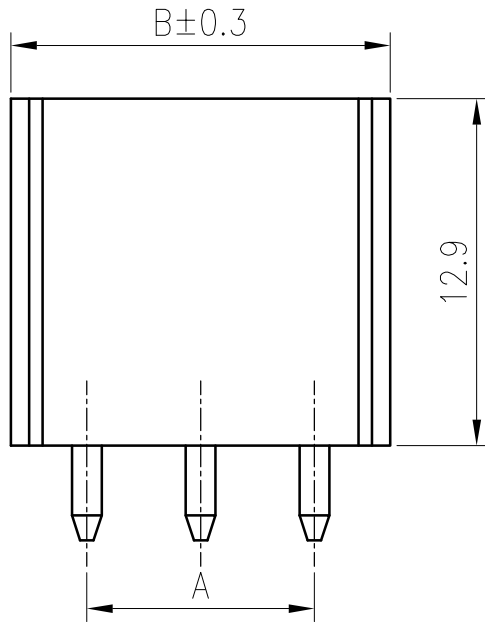
04: Stamping before plating
High foot

F		Uniformly arrange the drawings	ZSZ	2022.01.16	TOLERANCE X. X ± 0.30 X. XX ± 0.20 X. XXX ± 0.10 Angle ± 2°	TITLE: MX4.2 Female Terminal High foot	DRAWN: Arvin 2020.05.18	KONNRA 东莞市康瑞电子有限公司 DongGuan Konnra Electronics Co., Ltd.		
		Change part number description	Arvin	2020.05.18			CHECKED:			
		Change the part number and frame format	Arvin	2020.04.22			APPROVED:	PART NO. : T4200F*****B		
	MARK	REVISION DESCRIPTION	SIGNATURE	DATE			UNIT: mm	SCALE: N/A	SHEET: 1/1	PROJECTION
	1	2	3	4	5	6	7	8	9	

RoHS
COMPLIANT



Recommended P.C.Board Layout



SPECIFICATIONS

1. Current rating: 9A(2P AWG#16) AC, DC
2. Voltage rating:600V AC,DC
3. Temperature range: -40°C ~ +105°C
4. Insulation resistance: 1000MΩ/ min.
5. Withstanding voltage: 1500V AC/ minute.
6. Contact resistance: 10mΩ/ max.

Material:

Insulator: Nylon 66 UL 94V-2

Contact: Brass

Plating: Tin plated over Nickel

Mate with KR4200 series double row male housing

Ordering Code:

C4200VD *** 16 T0101PC

No. of Circuits

102:2,106:6

Insulator Material

16:PA66 Transparent V2

Circuits	Dimensions	
	A	B
2	4.20	9.60
3	8.40	13.80
4	12.60	18.00
5	16.80	22.20
6	21.00	26.40

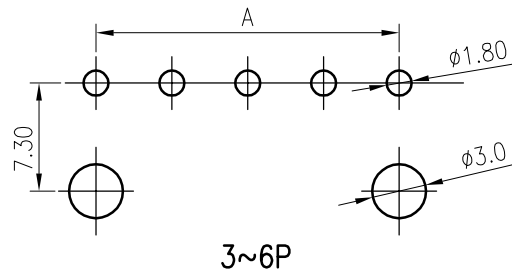
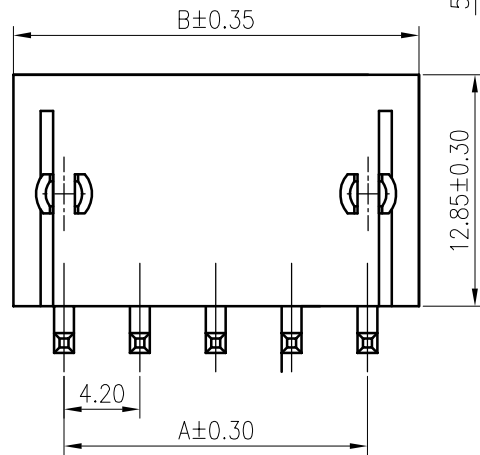
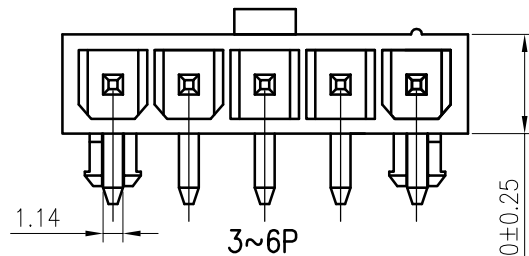
MARK	REVISION	DESCRIPTION	SIGNATURE	DATE
A4				
A3		Uniformly arrange the drawings	ZSZ	2022.01.16
A2		Change the part number and frame format	LJT	2020.05.23

TOLERANCE		TITLE: MX4.2 DIP Single Row 180° Wafer Solid needle without post
X. X	±0.30	
X. XX	±0.20	
X. XXX	±0.10	
Angle		±2°

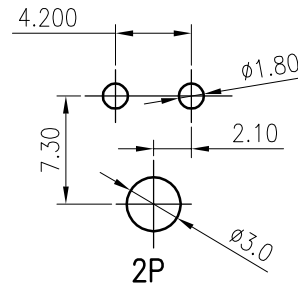
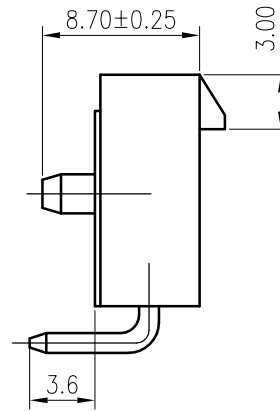
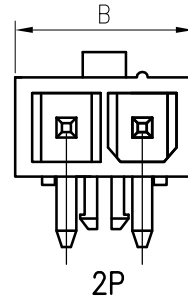
DRAWN: Liujingtian 2020.5.22	
CHECKED:	
APPROVED:	
UNIT: mm	SCALE: N/A
SHEET: 1/1	PROJECTION

KONNRA 东莞市康瑞电子有限公司	
DongGuan Konnra Electronics Co., Ltd.	
PART NO. : C4200VD***16T0101PC	
REV. : A3	DRAWING NO. : 4200WD101-C-S

RoHS
COMPLIANT



Recommended P.C.B. Layout
Total tolerance:±0.05mm



Recommended P.C.B. Layout
Total tolerance:±0.05mm

SPECIFICATIONS

1. Current rating: 9A(2P AWG#16) AC, DC
2. Voltage rating:600V AC,DC
3. Temperature range: -40°C ~ +105°C
4. Insulation resistance: 1000MΩ/ min.
5. Withstanding voltage: 1500V AC/ minute.
6. Contact resistance: 10mΩ/ max.

Material:

Insulator: Nylon 66 UL94 V-2 or V-0
Contact: Brass
Plating: Tin plated over Nickel
Mate with KR4200 series single row female housing

Ordering Code:

C4200RD *** ** T0102 * C
No. of Circuits } Packing
102:2,106:6 } P:Bag
Insulator Material } B:Box
01:PA66 White V0
02:PA66 Black V0
16:PA66 Transparent V2

Circuits	Dimensions	
	A	B
2	4.20	9.60
3	8.40	13.80
4	12.60	18.00
5	16.80	22.20
6	21.00	26.40

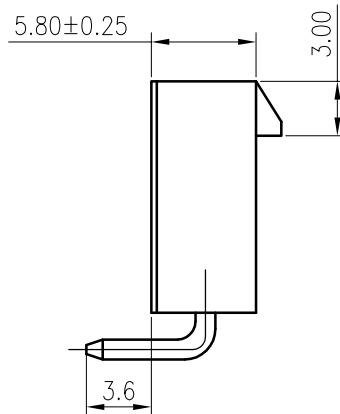
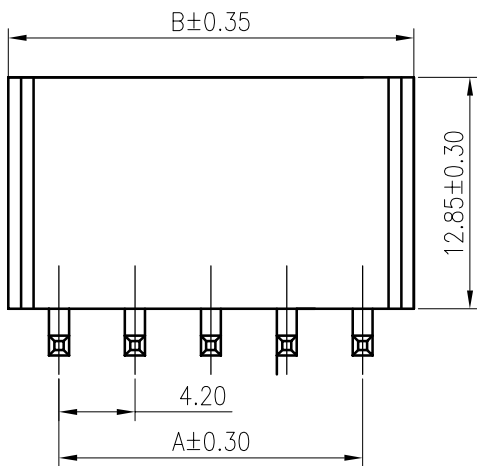
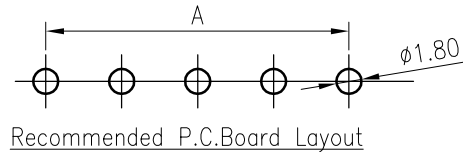
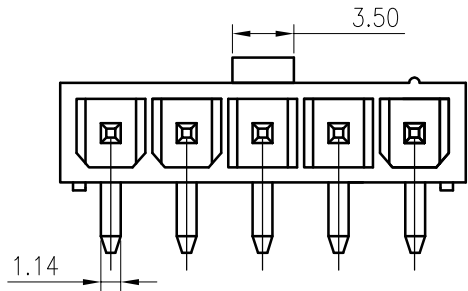
MARK	REVISION	DESCRIPTION	SIGNATURE	DATE
A4				
A3		Uniformly arrange the drawings	ZSZ	2022.01.16
A2		Change the part number and frame format	Arvin	2020.04.27

TOLERANCE		TITLE: MX4.2 Single Row 90°Wafer solid needle with post
X. X	± 0.30	
X. XX	± 0.20	
X. XXX	± 0.10	
Angle ± 2°		UNIT: mm SCALE: N/A

DRAWN:	Arvin 2020.04.27
CHECKED:	
APPROVED:	
SHEET: 1/1	PROJECTION

KONNRA 东莞市康瑞电子有限公司	
DongGuan Konnra Electronics Co., Ltd.	
PART NO. : C4200RD***16T0102*C	
REV. : A3	DRAWING NO. : 4200WRD102-C-S

RoHS
COMPLIANT



SPECIFICATIONS

1. Current rating: 9A(2P AWG#16) AC, DC
2. Voltage rating:600V AC,DC
3. Temperature range: -40°C ~ +105°C
4. Insulation resistance: 1000M Ω / min.
5. Withstanding voltage: 1500V AC/ minute.
6. Contact resistance: 10m Ω / max.

Material:

Insulator: Nylon 66 UL 94V-2

Contact: Brass

Plating: Tin plated over Nickel

Mate with KR4200 series double row male housing

Ordering Code:

C4200RD *** 16 T0101 * C

No. of Circuits
102:2,106:6

Packing
P:Bag
B:Box

Insulator Material
16:PA66 Transparent V2

Circuits	Dimensions	
	A	B
2	4.20	9.60
3	8.40	13.80
4	12.60	18.00
5	16.80	22.20
6	21.00	26.40

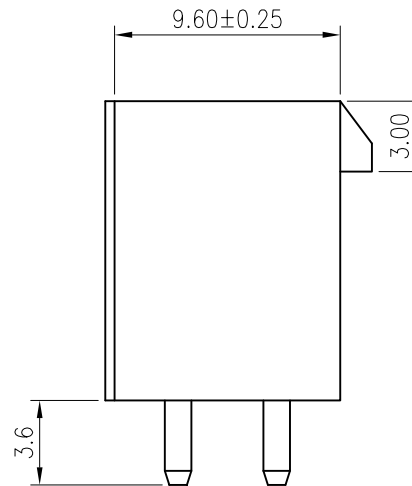
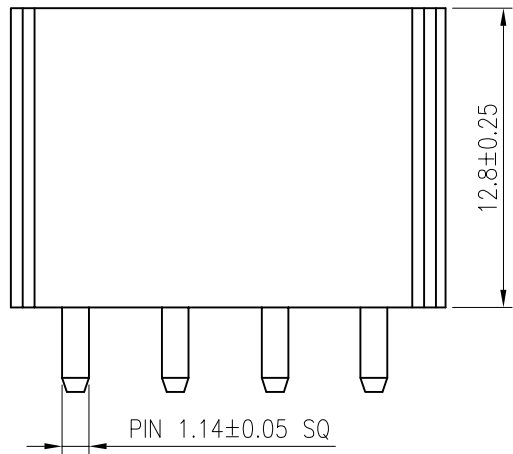
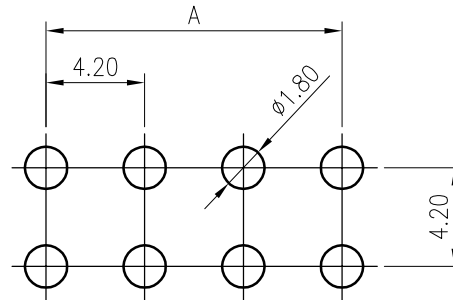
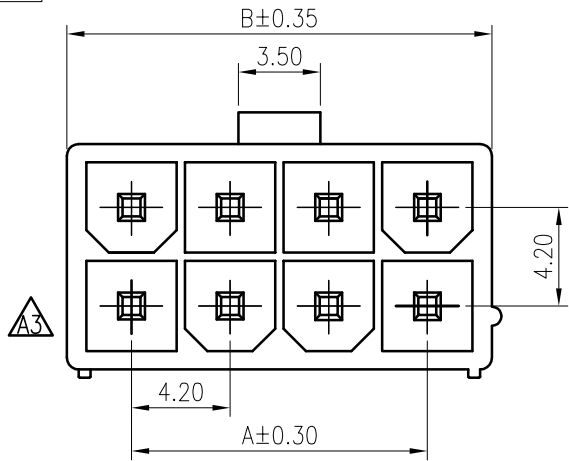
MARK	REVISION	DESCRIPTION	SIGNATURE	DATE
A4				
A3		Uniformly arrange the drawings	ZSZ	2022.01.16
A2		Change the part number and frame format	LJT	2020.05.23

TOLERANCE		TITLE: MX4.2 DIP Single Row 90° Wafer Solid needle without post
X. X	± 0.30	
X. XX	± 0.20	
X. XXX	± 0.10	
Angle $\pm 2^\circ$		UNIT: mm SCALE: N/A

DRAWN: Liujingtian 2020.5.22	
CHECKED:	
APPROVED:	
SHEET: 1/1	PROJECTION

KONNRA 东莞市康瑞电子有限公司 DongGuan Konnra Electronics Co., Ltd.	
PART NO. : C4200RD***16T0101*C	
REV. : A3	DRAWING NO. : 4200WRD101-C-S

RoHS
COMPLIANT



SPECIFICATIONS

1. Current rating: 9A(2P AWG#16) AC, DC
2. Voltage rating: 600V AC, DC
3. Temperature range: -40°C ~ +105°C
4. Insulation resistance: 1000MΩ/ min.
5. Withstanding voltage: 1500V AC/ minute.
6. Contact resistance: 10mΩ/ max.

Material:

Insulator: Nylon 66 UL 94V-2

Contact: Brass

Plating: Tin plated over Nickel

Mate with KR4200 series double row male housing

Ordering Code:

C4200VD *** 16 T0101PC

No. of Circuits
207: 2*7, 208: 2*8

Insulator Material
16: PA66 Transparent V2

Circuits	Dimensions		Circuits	Dimensions	
	A	B		A	B
2x1	/	5.40	2x7	25.20	30.60
2x2	4.20	9.60	2x8	29.40	34.80
2x3	8.40	13.80	2x9	33.60	39.00
2x4	12.60	18.00	2x10	37.80	43.20
2x5	16.80	22.20	2x11	42.00	47.40
2x6	21.00	26.40	2x12	46.20	51.60

TOLERANCE

X. X ±0.30

X. XX ±0.20

X. XXX ±0.10

Angle ±2°

TITLE:
MX4.2 DIP 180°
Wafer double row
Solid needle without
post

DRAWN: Liujiangtian 2020.5.22

CHECKED:

APPROVED:

KONNRA 东莞市康瑞电子有限公司
DongGuan Konnra Electronics Co., Ltd.

PART NO. : C4200VD***16T0101PC

MARK REVISION DESCRIPTION SIGNATURE DATE UNIT: mm SCALE: N/A SHEET: 1/1 PROJECTION REV. : A4 DRAWING NO. : 4200WD201-C-S

1

2

3

4

5

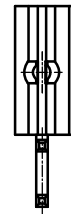
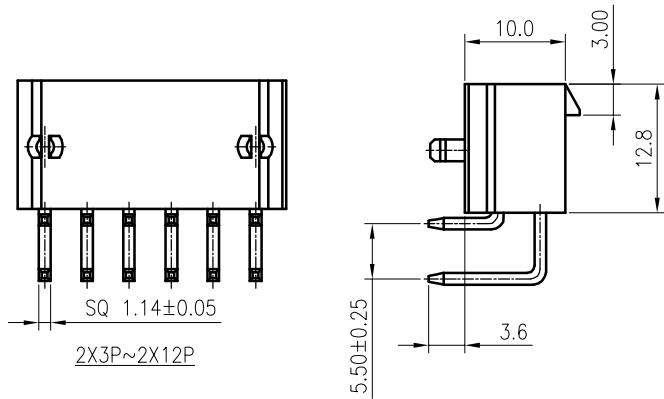
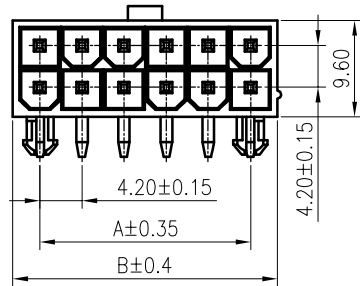
6

7

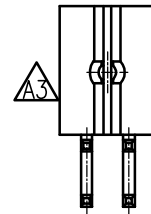
8

9

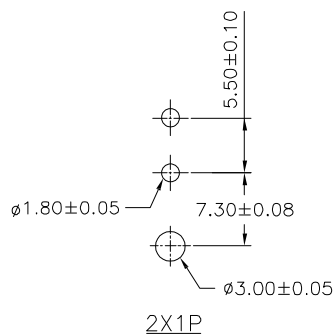
RoHS
COMPLIANT



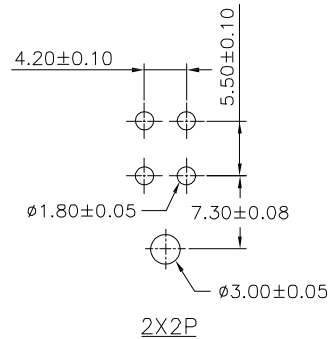
2X1P



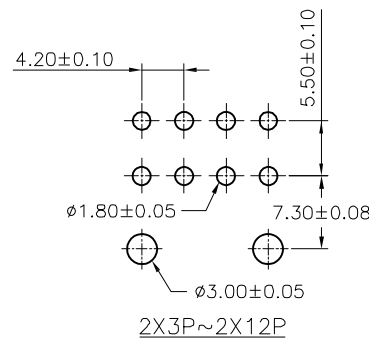
2X2P



2X1P



2X2P



2X3P~2X12P

Recommended P.C.Board Layout

SPECIFICATIONS

1. Current rating: 9A(2P AWG#16) AC, DC
2. Voltage rating:600V AC,DC
3. Temperature range: -40°C ~ +105°C
4. Insulation resistance: 1000MΩ/ min.
5. Withstanding voltage: 1500V AC/ minute.
6. Contact resistance: 10mΩ/ max.

Material:

Insulator: Nylon 66 UL 94V-2
 Contact: Brass
 Plating: Tin plated over Nickel
 Mate with KR4200 series double row male housing

Ordering Code:

C4200RD *** 16 T0102 P C
 No. of Circuits } Packing
 201:2*1,212:2*12 } P:Bag
 Insulator Material } B:Box
 02:PA66 Black V0
 16:PA66 Transparent V2

Circuits	Dimensions		Circuits	Dimensions	
	A	B		A	B
2x1	4.20	5.40	2x7	25.20	30.60
2x2	4.20	9.60	2x8	29.40	34.80
2x3	8.40	13.80	2x9	33.60	39.00
2x4	12.60	18.00	2x10	37.80	43.20
2x5	16.80	22.20	2x11	42.00	47.40
2x6	21.00	26.40	2x12	46.20	51.60

F					TOLERANCE	TITLE:	DRAWN: Liujingtian 2020.5.22	KONNRA 东莞市康瑞电子有限公司		
					X. X ±0.30	MX4.2 DIP double	CHECKED:	DongGuan Konnra Electronics Co., Ltd.		
					X. XX ±0.20	row 90° Wafer solid	APPROVED:	PART NO. : C4200RD***16T0102PC		
					X. XXX ±0.10	needle with post		REV. : A4 DRAWING NO. : 4200WRD202-C-S		
	MARK	REVISION DESCRIPTION	SIGNATURE	DATE	Angle ±2°	UNIT: mm	SCALE: N/A	SHEET: 1/1	PROJECTION	
	1	2	3	4	5	6	7	8	9	

RoHS
COMPLIANT

SPECIFICATIONS

1. Current rating: 9A(2P AWG#16) AC, DC
2. Voltage rating:600V AC,DC
3. Temperature range: -40°C ~ +105°C
4. Insulation resistance: 1000MΩ/ min.
5. Withstanding voltage: 1500V AC/ minute.
6. Contact resistance: 10mΩ/ max.

Material:

Insulator: Nylon 66 UL 94V-2

Contact: Brass

Plating: Tin plated over Nickel

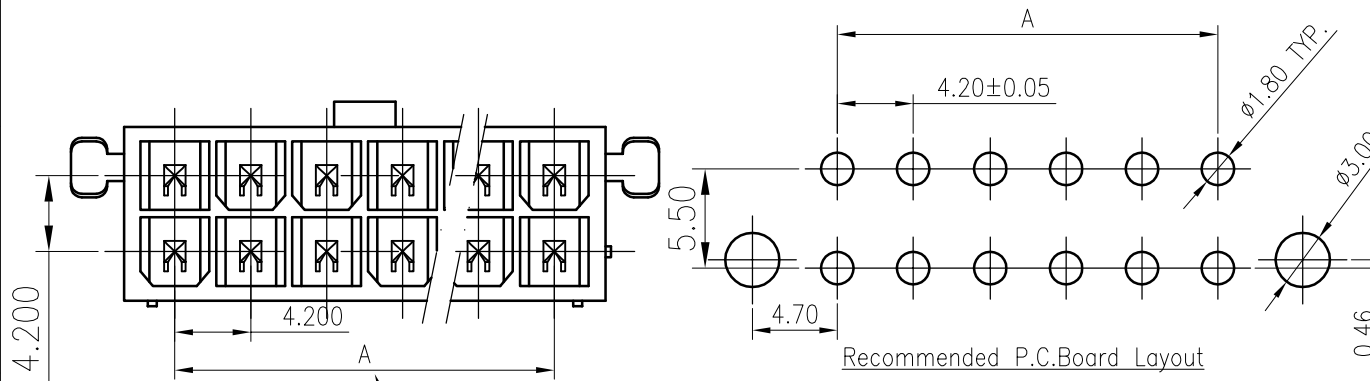
Mate with KR4200 series double row male housing

Ordering Code:

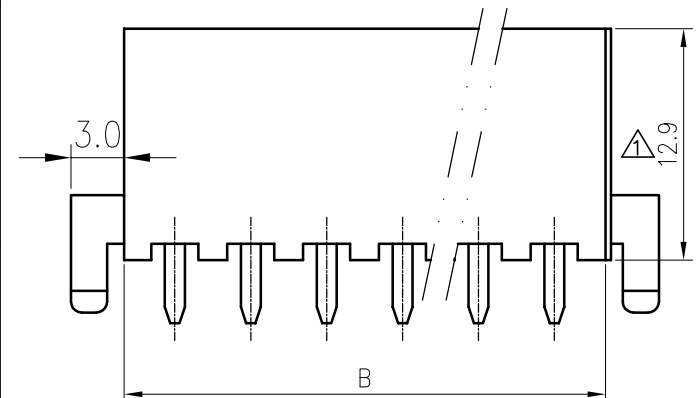
C4200VD *** 16 T0104PB

No. of Circuits
201:2*1,212:2*12

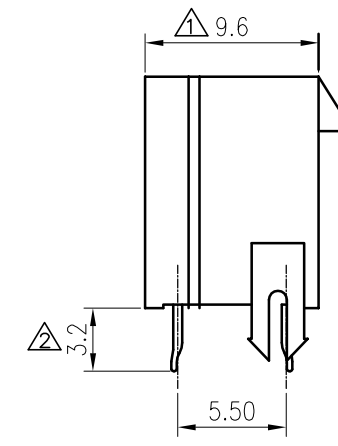
Insulator Material
16:PA66 Transparent V2



2x1~2x5P:±0.25
2x6~2x12p:±0.35



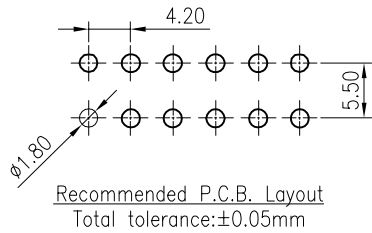
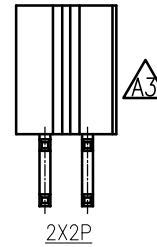
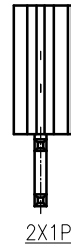
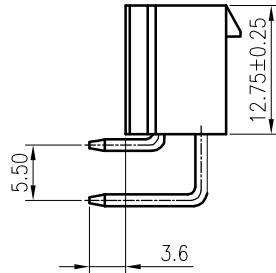
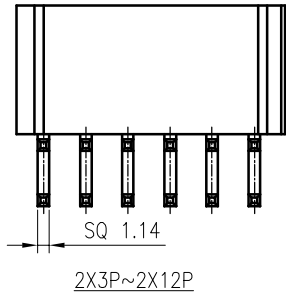
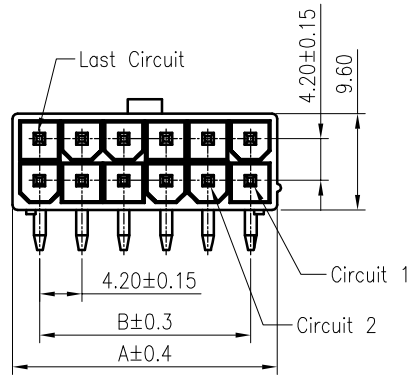
2x1~2x5P:±0.3
2x6~2x12p:±0.4



Circuits	Dimensions		Circuits	Dimensions	
	A	B		A	B
2x1	/	5.60	2x7	25.20	31.00
2x2	4.20	9.60	2x8	29.40	35.20
2x3	8.40	13.80	2x9	33.60	39.40
2x4	12.60	18.30	2x10	37.80	43.60
2x5	16.80	22.60	2x11	42.00	48.10
2x6	21.00	26.60	2x12	46.20	52.30

F	△4				TOLERANCE	TITLE: MX4.2 DIP double row 180° Wafer hollow needle with column	DRAWN: Liujiangtian 2020.5.22		KONNRA 东莞市康瑞电子有限公司	
	△3	Uniformly arrange the drawings	ZSZ	2022.01.16	X. X ±0.30		CHECKED:		DongGuan Konnra Electronics Co., Ltd.	
	△2	Change the part number and frame format	LJT	2020.05.23	X. XX ±0.20		APPROVED:		PART NO. : C4200VD***16T0104BB	
	MARK	REVISION DESCRIPTION	SIGNATURE	DATE	X. XXX ±0.10		UNIT: mm	SCALE: N/A	SHEET: 1/1	PROJECTION
	1	2	3	4		5	6	7	8	9

RoHS
COMPLIANT



SPECIFICATIONS

1. Current rating: 9A(2P AWG#16) AC, DC
2. Voltage rating:600V AC,DC
3. Temperature range: -40°C ~ +105°C
4. Insulation resistance: 1000MΩ/ min.
5. Withstanding voltage: 1500V AC/ minute.
6. Contact resistance: 10mΩ/ max.

Material:

Insulator: Nylon 66 UL94 V-2 or V-0
 Contact: Brass
 Plating: Tin plated over Nickel
 Mate with KR4200 series double row male housing

Ordering Code:

C4200RD *** ** T0101 * C
 No. of Circuits }
 202:2x1,212:2x12 } Packing
 Insulator Material } P:Bag
 01:PA66 White V0 } B:Box
 02:PA66 Black V0
 16:PA66 Transparent V2

Circuits	Dimensions		Circuits	Dimensions	
	A	B		A	B
2x1	5.40	/	2x7	30.60	25.20
2x2	9.60	4.20	2x8	34.80	29.40
2x3	13.80	8.40	2x9	39.00	33.60
2x4	18.00	12.60	2x10	43.20	37.80
2x5	22.20	16.80	2x11	47.40	42.00
2x6	26.40	21.00	2x12	51.60	46.20

TOLERANCE

X. X ±0.30
 X. XX ±0.20
 X. XXX ±0.10
 Angle ±2°

TITLE:
 MX4.2 Double Row
 90°Wafer Solid
 needle without post

DRAWN: Arvin 2020.04.30

CHECKED:

APPROVED:

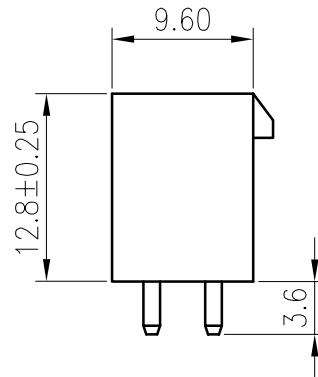
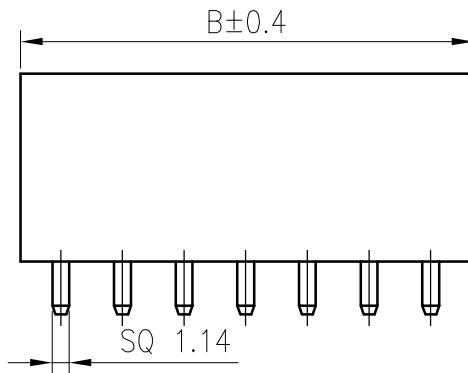
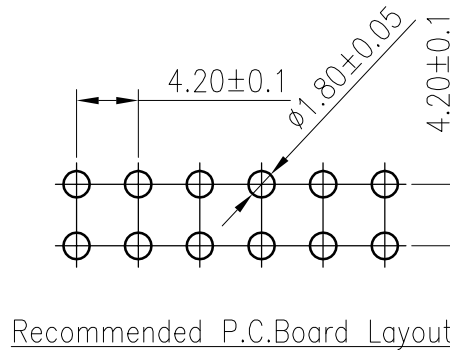
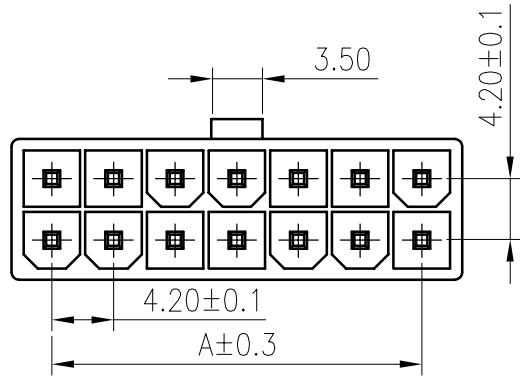
KONNRA 东莞市康瑞电子有限公司
 DongGuan Konnra Electronics Co., Ltd.

PART NO. : C4200RD*16T0101*C**

MARK REVISION DESCRIPTION SIGNATURE DATE UNIT: mm SCALE: N/A SHEET: 1/1 PROJECTION REV. : A4 DRAWING NO. : 4200WRD201-C-S

1 2 3 4 5 6 7 8 9

RoHS
COMPLIANT



SPECIFICATIONS

1. Current rating: 9A(2P AWG#16) AC, DC
2. Voltage rating: 600V AC, DC
3. Temperature range: -40°C ~ +105°C
4. Insulation resistance: 1000MΩ/ min.
5. Withstanding voltage: 1500V AC/ minute.
6. Contact resistance: 10mΩ/ max.

Material:

Insulator: Nylon 66 UL 94V-2

Contact: Brass

Plating: Tin plated over Nickel

Mate with KR4200 series double row male housing

Ordering Code:

C4200VD *** 16 T0102PC

No. of Circuits
207:2*7, 208:2*8

Insulator Material
16:PA66 Transparent V2

Circuits	Dimensions	
	A	B
2X7	25.20	30.60
2X8	29.40	34.80

F					TOLERANCE	TITLE:	DRAWN: Liujingtian 2020.5.22	KONNRA 东莞市康瑞电子有限公司		
		Uniformly arrange the drawings	ZSZ	2022.01.16	X. X ±0.30	MX4.2 DIP double row 180°Wafer Solid needle without post	CHECKED:	DongGuan Konnra Electronics Co., Ltd.		
		Change the part number and frame format	LJT	2020.05.23	X. XX ±0.20		APPROVED:	PART NO. : C4200VD***16T0102PC		
					X. XXX ±0.10			REV. : A3	DRAWING NO. : 4200WD202-C-S	
	MARK	REVISION DESCRIPTION	SIGNATURE	DATE	Angle ±2°	UNIT: mm SCALE: N/A	SHEET: 1/1	PROJECTION		
	1	2	3	4	5	6	7	8	9	