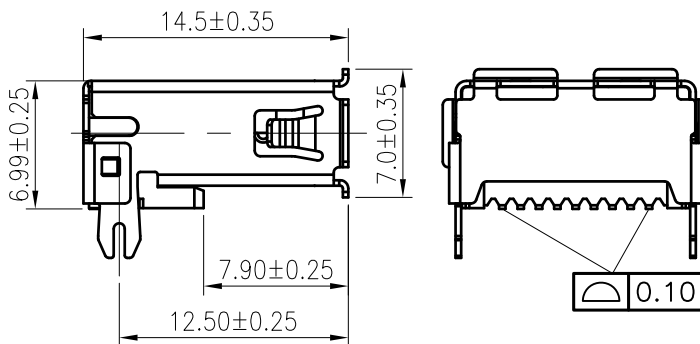
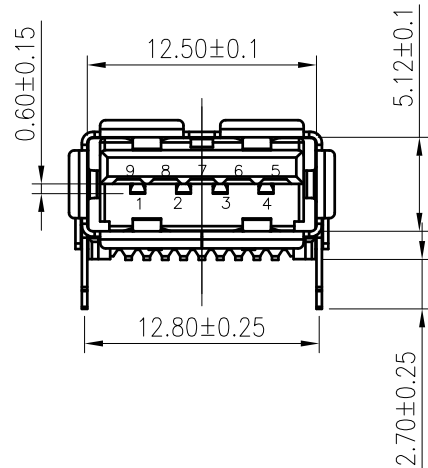


**RoHS**  
COMPLIANT



**SPECIFICATIONS**

1. Current rating: 1.5A AC, DC
2. Voltage rating: 50V AC, DC
3. Temperature range: -40°C ~ +85°C
4. Insulation resistance: 1000MΩ/ min.
5. Withstanding voltage: 500V AC/ minute.
6. Contact resistance: 30mΩ/ max.

**MECHANICAL CHARACTERISTICS:**

MATING FORCE: 3.57kg MAX  
UNMATED FORCE: 1.02kg MIN AFTER TEST  
DURABILITY: MANDATORY: 1500 CYCLES

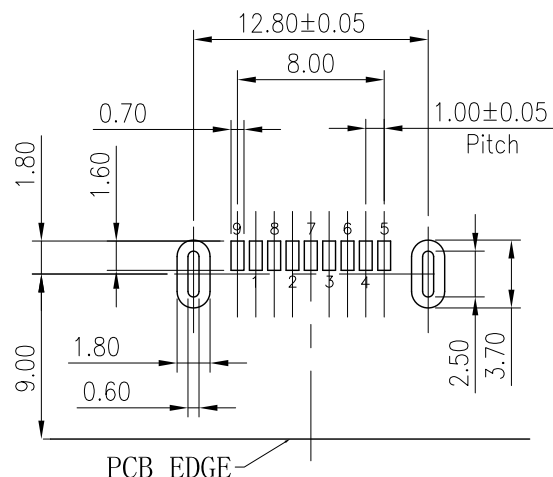
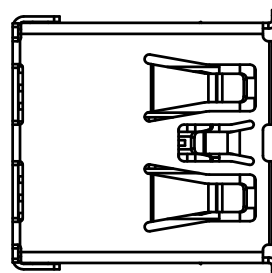
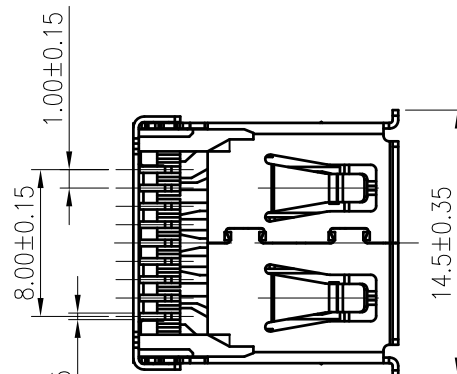
**Material:**

Insulator: LCP&PA9T UL 94V-0  
Contact: Bronze(T=0.20mm)  
Shell: Brass&A stainless Steel(T=0.30mm)

**Plating:**

TERMINAL:  
NICKEL ALL OVER  
Tin ON SOLDER AREA  
Au ON CONTACT AREA

SHELL:  
NICKEL ALL OVER



Recommended P.C.B. Layout  
Total tolerance: ±0.05mm

Pin NUMBER	SIGNAL NAME
1	VBUS
2	D-
3	D+
4	GND
5	StdA_SSRX-
6	StdA_SSRX+
7	GND_DRAIN
8	StdA_SSTX-
9	StdA_SSTX+
Shell	Shield



MARK

**TOLERANCE**

X.X ±0.30  
X.XX ±0.20  
X.XXX ±0.10  
Angle ±2°

**TITLE:**

USB3.0 AF 短体SMT  
塑胶短脚 外壳鱼叉  
有卷边

DRAWN: 7/7 2023.09.20

CHECKED:

APPROVED:

SHEET: 1/1

PROJECTION

**KONNRA** 东莞市康瑞电子有限公司  
DongGuan Konnra Electronics Co.,Ltd.

PART NO.: U03S0004B

REV.: A01 DRAWING NO.: U03S0004B-S