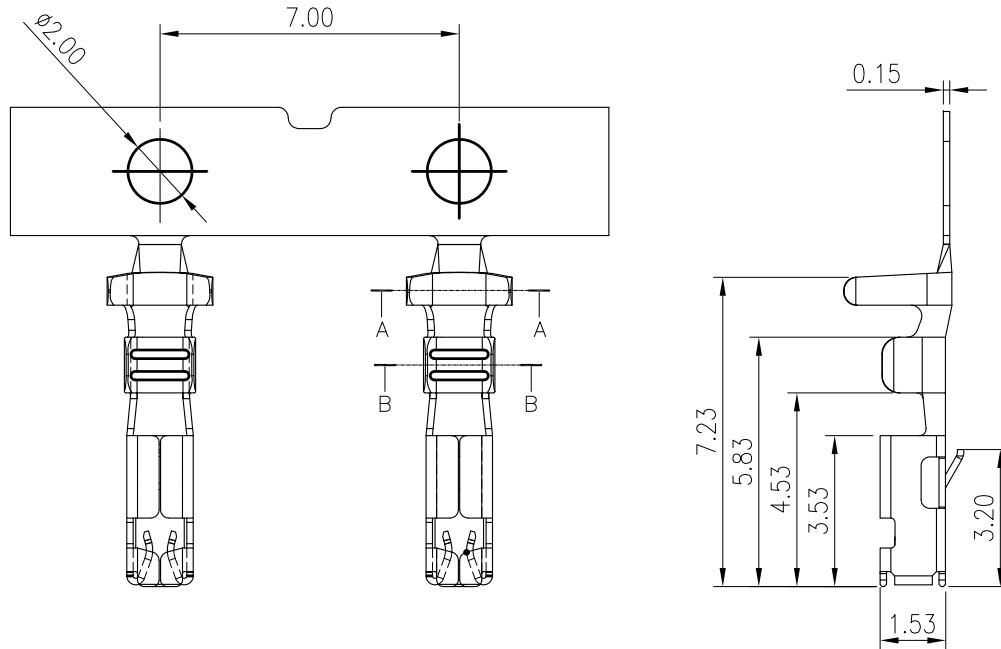


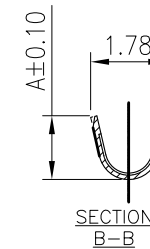
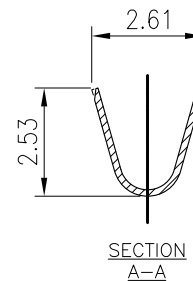
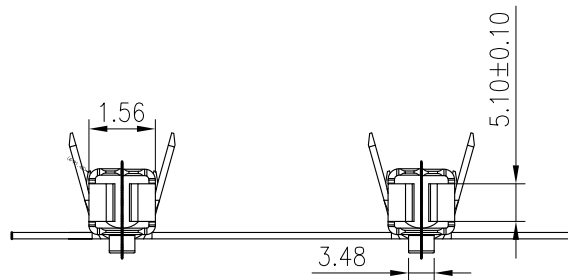
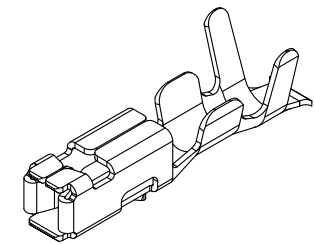
RoHS
COMPLIANT



SPECIFICATIONS

1. Current rating: 3A AC, DC
2. Voltage rating: 250V AC,DC
3. Temperature range: -40°C ~ +125°C
4. Insulation resistance: 1000MΩ/ min.
5. Withstanding voltage: 800V AC/ minute.
6. Contact resistance: 25mΩ/ max.

Material: Phosphor Bronze(C5191R)
Plating: Tin plated over Nickel
Suitable KR2022 series housing
Qty/reel:8,000PCS



T20220PT0102A	AWG:22#~20# (0.35~0.5MM)	Ø1.6mm MAX	1.70
T20220PT0101A	AWG:24#~22# (0.22~0.35MM)		1.50
料号	线规	外被直径	DIM:A

F	△A03				TOLERANCE	TITLE:	DRAWN: 7/7 2023.08.31	KONNRA 东莞市康瑞电子有限公司 DongGuan Konnra Electronics Co.,Ltd.		
	△A02				X.X ±0.30	PAL2.0 Terminal	CHECKED:			
	△A01	NEW DWG	TYF	2023.08.31	X.XX ±0.20		APPROVED:	PART NO.: T20220PT01xxA		
MARK	REVISION DESCRIPTION	SIGNATURE	DATE	Angle ±2°	UNIT:mm	SCALE:1:1	SHEET:1/1	PROJECTION	REV.:A02	DRAWING NO.:2022T01-A-S