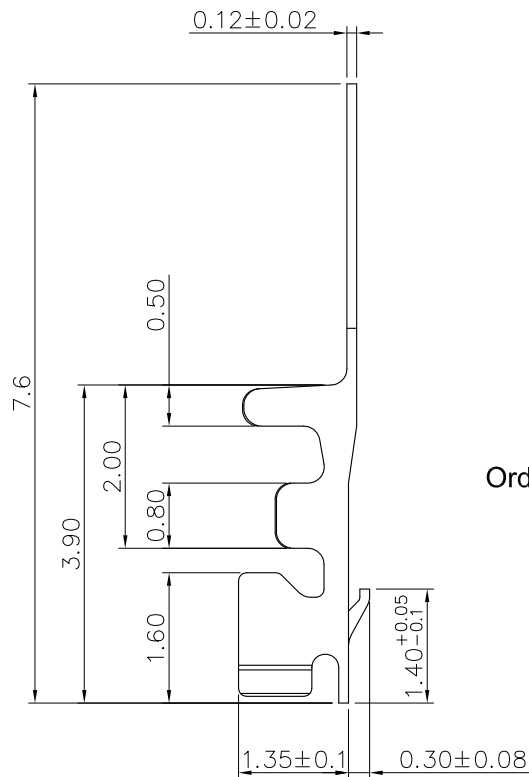
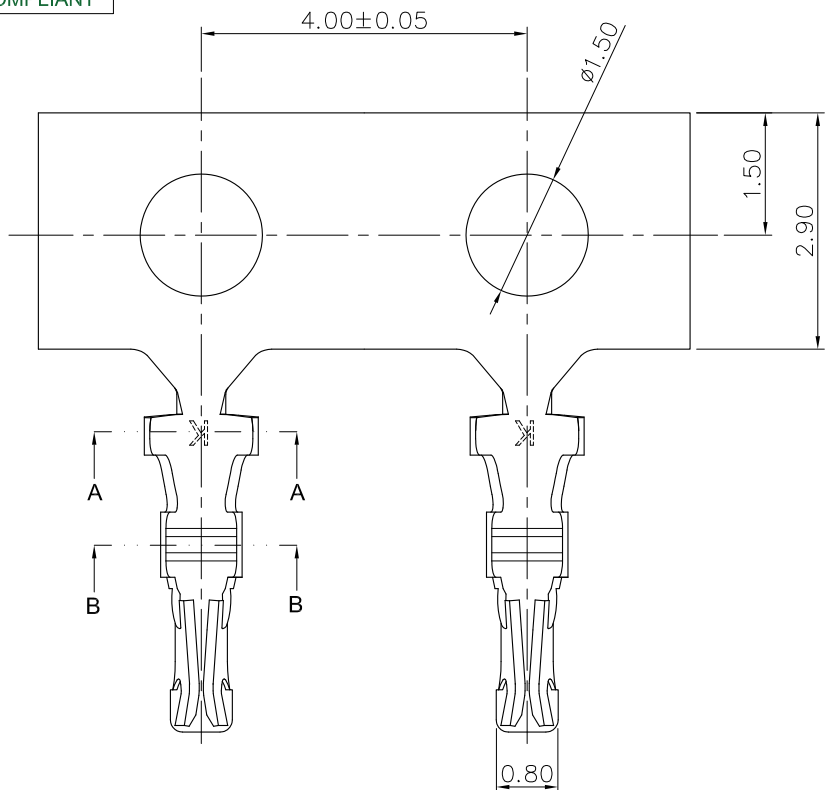


**RoHS**  
COMPLIANT



◆ SPECIFICATIONS

- Current rating: 1A AC, DC
- Voltage rating: 50V AC, DC
- Temperature range: -40°C ~ +105°C
- Insulation resistance: 100MΩ Min.
- Withstanding voltage: 500V AC/ minute.
- Contact resistance: 20mΩ Max.

Material: Phosphor Bronze  
 Finish: Gold plated 1u" min. over Nickel  
 Applicable wires: AWG #28~#32  
 Insulation O.D 0.4 to 0.8mm  
 Suitable: KR1000 series Housing  
 Qty/reel: 20,000PCS

Ordering Code:

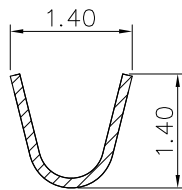
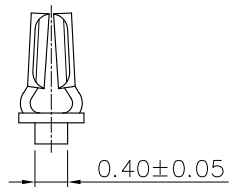
T10000P \*\*\* 01A

└ Plating

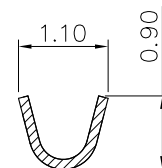
T01: Tin plated

G02: Gold plated (Au 1u")

G02: Gold plated (Au 3u")



SECTION A-A



SECTION B-B

F	A3	Uniformly arrange the drawings	Shen	2021.08.23	TOLERANCE X.X ±0.3 X.XX ±0.2 X.XXX ±0.1 Angle ±2°	TITLE: SH1.0 Terminal	DRAWN: TLX 2021.08.23		KONNRA 东莞市康瑞电子有限公司 DongGuan Konnra Electronics Co.,Ltd.		
		A2	Change the part number and frame format	TLX			2020.04.21	CHECKED: Shen 2021.08.23			
	MARK	REVISION DESCRIPTION	SIGNATURE	DATE	UNIT:mm	SCALE:1/1	SHEET:1/1	PROJECTION	REV.:A3	PART NO.:T10000P***01A	
	1	2	3	4	5	6	7	8	9	DRAWING NO.:100T01-A-S	