

RoHS
COMPLIANT

SPECIFICATIONS

1. Current rating: 1A AC, DC
2. Voltage rating: 50V AC,DC
3. Temperature range: -40°C ~ +105°C
4. Insulation resistance: 100MΩ Min.
5. ithstanding voltage: 500V AC/ minute.
6. Contact resistance: 20m Ω Max.

Material:

Insulator: PA9T/LCP UL 94V-0

Contact: Copper alloy/Tin plated over Nickel

Fitting Nail: Copper alloy/Tin plated over Nickel

Circuits: 2~20

Mates With KR1000 Series Single Row Housing

Ordering code:

C1000VS *** ** ** RA

102:2P

120:20P

00:Halogen free

01:Conventional products

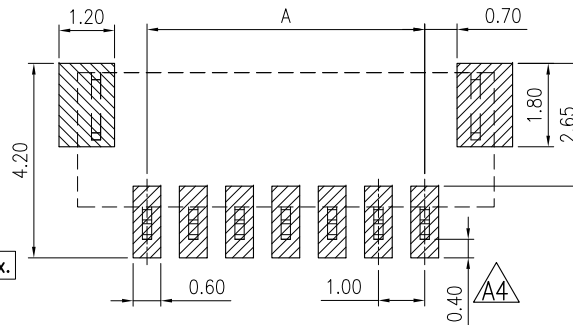
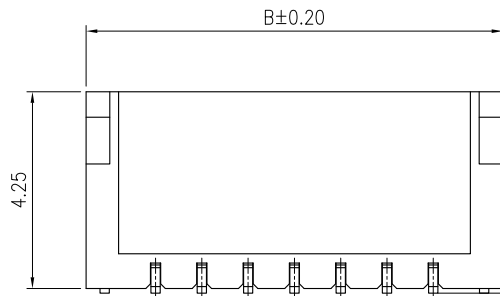
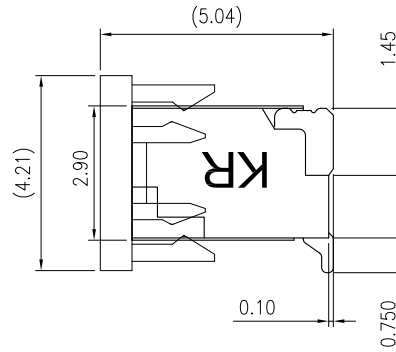
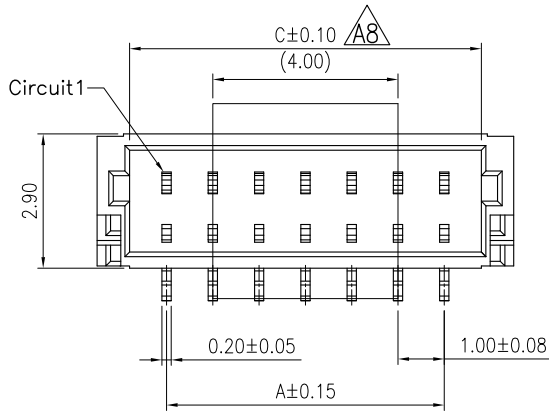
M01:Matte tin plating

T01:Bright plating

11:PA9T Natural $\triangle A$

12:PA9T Black

13:LCP Natural



Recommended P.C.B. Layout
Total tolerance:±0.05mm

PIN NO.	DIMENSIONS			PIN NO.	DIMENSIONS		
	A	B	C		A	B	C
02P	1.00	4.00	2.49	12P	11.00	14.00	12.49
03P	2.00	5.00	3.49	13P	12.00	15.00	13.49
04P	3.00	6.00	4.49	14P	13.00	16.00	14.49
05P	4.00	7.00	5.49	15P	14.00	17.00	15.49
06P	5.00	8.00	6.49	16P	15.00	18.00	16.49
07P	6.00	9.00	7.49	17P	16.00	19.00	17.49
08P	7.00	10.00	8.49	18P	17.00	20.00	18.49
09P	8.00	11.00	9.49	19P	18.00	21.00	19.49
10P	9.00	12.00	10.49	20P	19.00	22.00	20.49
11P	10.00	13.00	11.49				

F	$\triangle A8$	Modify Size	ZSZ	2023.03.03	TOLERANCE TITLE: DRAWN: <i>72X 2021.08.23</i> CHECKED: <i>Shen 2021.08.23</i> APPROVED:	KONNRA 东莞市康瑞电子有限公司 DongGuan Konnra Electronics Co.,Ltd.				
	$\triangle A7$	Correct the part number code	Arvin	2022.05.31						
	$\triangle A6$	Changed from 0.12 to 0.10	Arvin	2022.03.17						
	MARK	REVISION DESCRIPTION	SIGNATURE	DATE						
					UNIT:mm	SCALE:N/A	SHEET:1/1	PROJECTION	REV.:A8	DRAWING NO.:1000WVS101-A-S

X.X	±0.30
X.XX	±0.20
X.XXX	±0.10
Angle	±2°