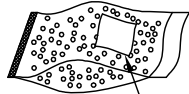
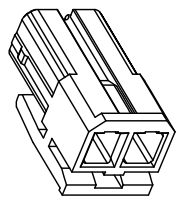


**RoHS**  
COMPLIANT

Step 1: Place Housing into PE bag and seal PE bag. Label.

将 Housing放入PE袋内, 并将PE袋封好, 贴上标签.

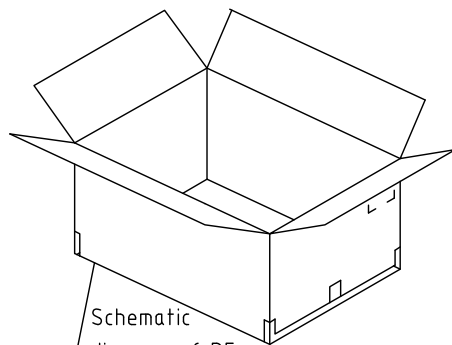


Label

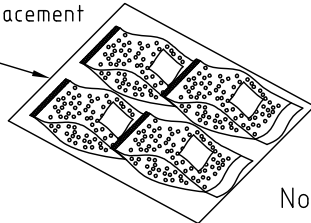
Step 2: Put PE bag packed products in cartons,

Packing detail see the table right

将装好产品的PE袋放入纸箱内, 详细包装见右表



Schematic diagram of PE bag placement

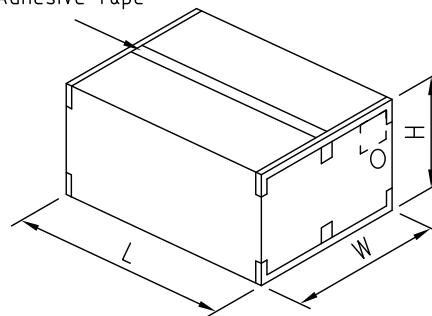


Step 3: Put PE bag packed products in cartons,

Packing detail see the table right

将装好产品的PE袋放入纸箱内, 详细包装见右表

Adhesive Tape



Circuits	PCS/Bag
2	1000
3	1000
4	1000
5	1000
6	1000
7	1000
8	1000
9	1000
10	1000
11	1000
12	1000
13	1000
14	1000
15	1000

Note注解:

1. There shall be no dirt such as deformation phenomenon, Mantissa box fillers must be used  
每箱不可有脏污, 变形现象, 尾数箱必须用填充物
2. Confirm whether the inner and outer labels are missing and the content must be consistent with the actual product  
确认内外标签有无漏失, 内容与实物必须一致
3. Packing quantity per carton depends on order and delivery quantity  
每箱包装数量依订单及交货数量而定

	SPEC.	Remark
Carton 1	L460mm×W460mm×H510mm	Use the appropriate carton size according to the actual order quantity 根据实际订单数量使用合适的纸箱尺寸
Carton 2	L500mm×W500mm×H305mm	
Carton 3	L580mm×W580mm×H320mm	

A4

A3

A2

MARK

1

2

3

4

5

6

7

8

9

TOLERANCE

X.X ±0.30

X.XX ±0.20

X.XXX ±0.10

Angle ±2°

TITLE:

1.80mm Crimp Style

Housing Packing

DRAWN: Arwin 2020.03.05

CHECKED:

APPROVED:

UNIT:mm

SCALE:N/A

SHEET:1/1

PROJECTION

**KONNRA** 东莞市康瑞电子有限公司

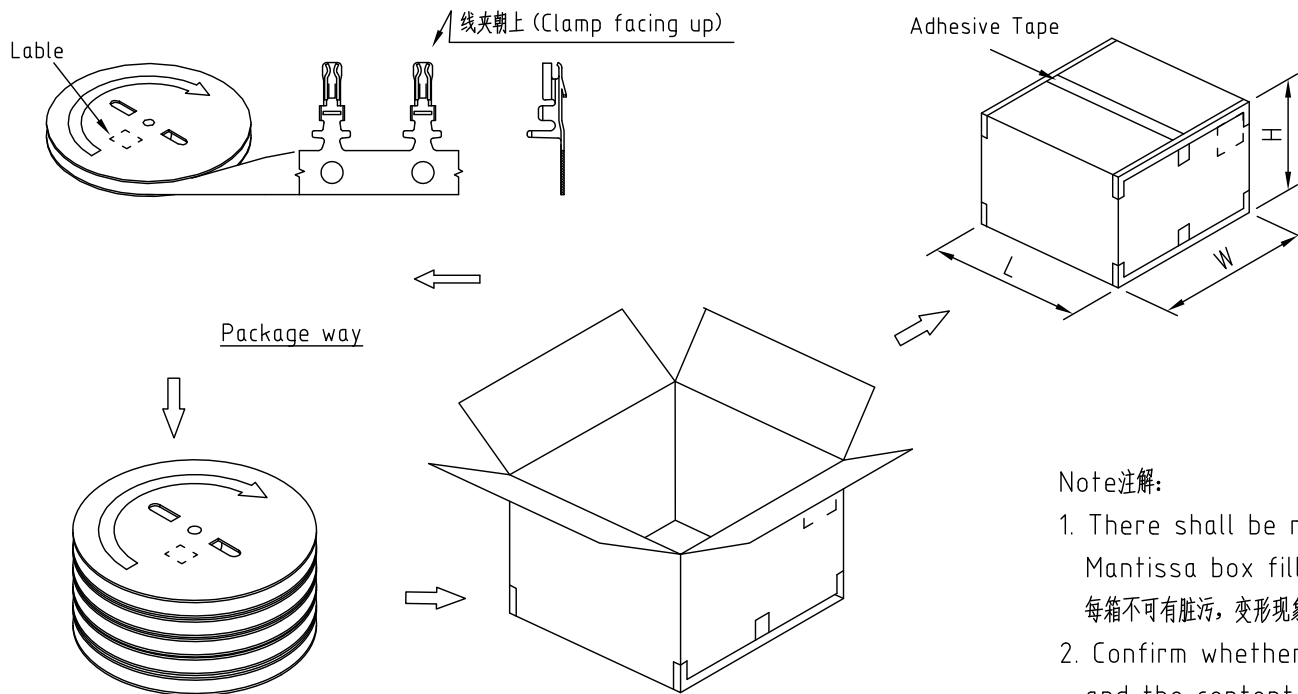
DongGuan Konnra Electronics Co.,Ltd.

PART NO.:H1801\*\*\*\*\*01A

REV.:A1

DRAWING NO.:1801H101-A-P

**RoHS**  
COMPLIANT



Note注解:

1. There shall be no dirt such as deformation phenomenon, Mantissa box fillers must be used  
每箱不可有脏污，变形现象，尾数箱必须用填充物
2. Confirm whether the inner and outer labels are missing and the content must be consistent with the actual product  
确认内外标签有无漏失，内容与实物必须一致
3. Quantity(数量): 8K PCS/REEL (8K PCS/盘)  
Packing quantity per carton depends on order and delivery quantity  
每箱包装数量依订单及交货数量而定

	SPEC.	Remark
Carton 1	L460mm×W460mm×H510mm	Use the appropriate carton size according to the actual order quantity 根据实际订单数量使用合适的纸箱尺寸
Carton 2	L500mm×W500mm×H305mm	
Carton 3	L580mm×W580mm×H320mm	

F					TOLERANCE	TITLE:	DRAWN: <i>Arwin 2020.03.05</i>	KONNRA 东莞市康瑞电子有限公司 DongGuan Konnra Electronics Co.,Ltd.		
					X.X ±0.30	1.80mm Crimp Style	CHECKED:			
					X.XX ±0.20	Terminal Packing	APPROVED:	PART NO.: T1801*****01A		
	MARK	REVISION DESCRIPTION	SIGNATURE	DATE	X.XXX ±0.10	UNIT:mm	SCALE:N/A	SHEET: 1/1	PROJECTION	REV.: A1
	1	2	3	4	5	6	7	8	9	

RoHS  
COMPLIANT

Product 1500PCS  
12000mm

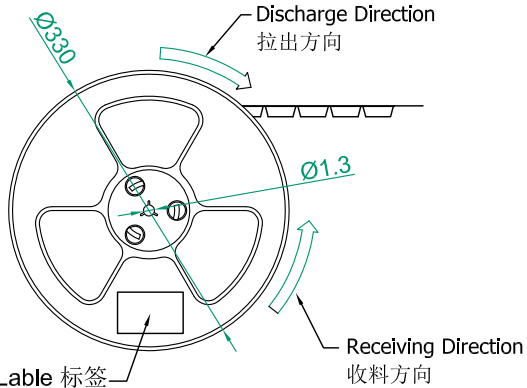
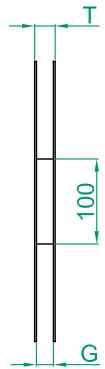
Leader Part Empty 200mm Min.  
前空 200mm 最小

160mm Min.

Axes

12360mm

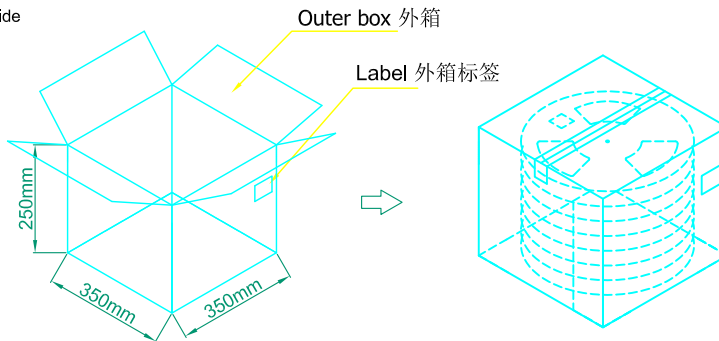
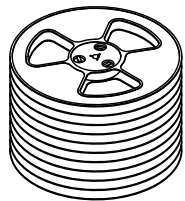
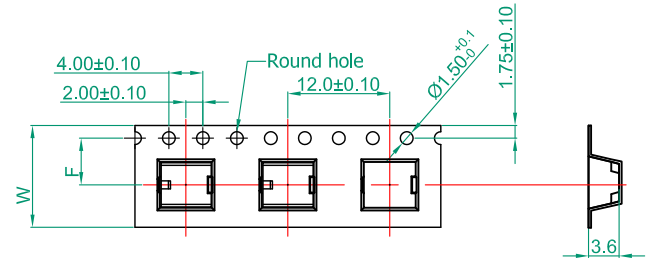
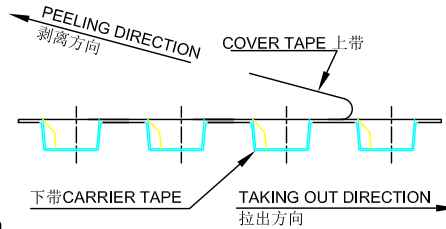
TOP TAPE 200mm  
上带200mm



Single hole: None Hole Side  
单孔: 贴无链孔侧  
Double hole: Elliptical Hole Side  
双孔: 贴椭圆孔侧

COVER TAPE PEEL STRENGTH:20~120g  
上带剥离力量:20~120g

速度 PEEL SPEED:300mm/minute



Part No.	W	S	F	T (MAX)	G (MAX)	REEL /PCS	CARTON /R	CARTON /PCS
A1800WRS-02-	12	/	5.50	16.50	12.40	1500	13R	19.5K

Note:

- Carrier Camber Is Within 1mm In 100mm
- 10 Sprocket Hole Pitch Cumulative Tolerance±0.2MM

F	A4				TOLERANCE X.X ±0.30 X.XX ±0.20 X.XXX ±0.10 Angle ±2°	TITLE: 1.80mm Crimp Style SMT 90°Wafer Packing	DRAWN: Arvin 2020.01.17		KONNRA 东莞市康瑞电子有限公司 DongGuan Konnra Electronics Co., Ltd.		
	A3						CHECKED:				
	A2	更改料号及图框格式	Arvin	2020.01.17			APPROVED:		PART NO.: C1801RS*****01RA		
	MARK	REVISION DESCRIPTION	SIGNATURE	DATE			UNIT: mm	SCALE: N/A	SHEET: 1/1	PROJECTION	VER.: A2

1 2 3 4 5 6 7 8 9