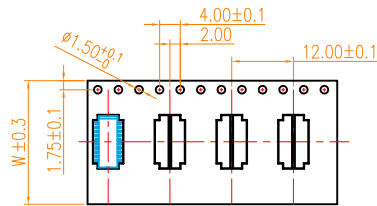


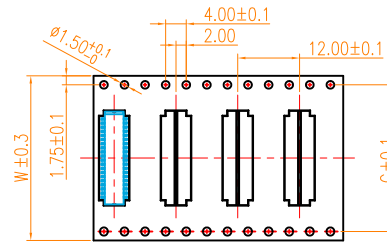
RoHS
COMPLIANT

Tape width 16 and 24 mm



PULL OUT DIRECTION

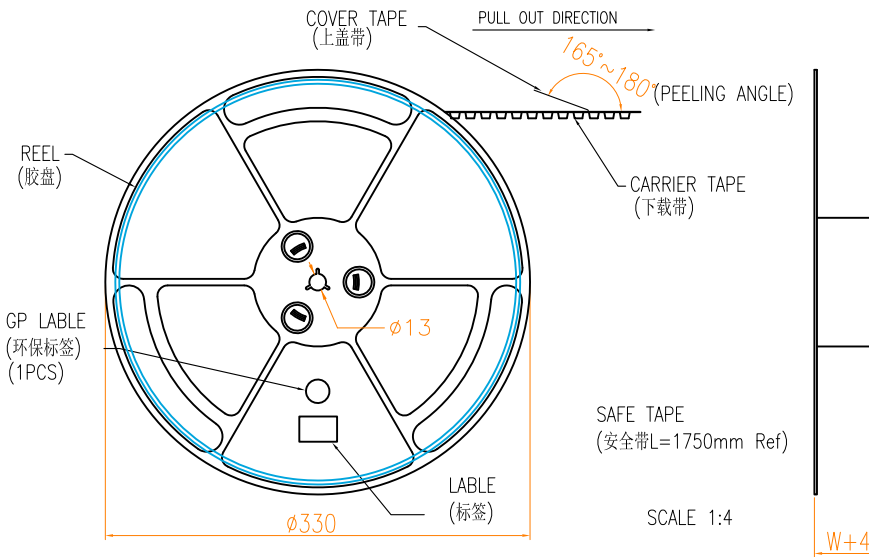
Tape width 32 and 44 mm



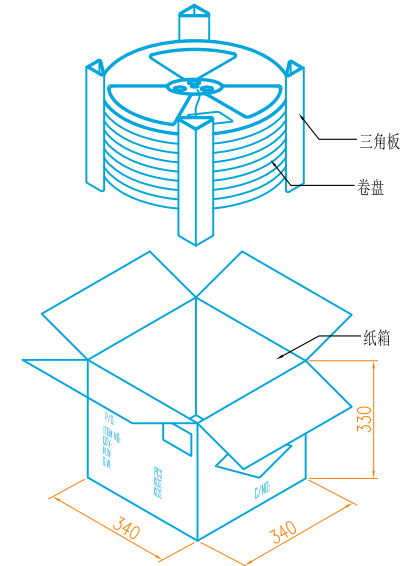
PULL OUT DIRECTION

NOTE:

- 1.10 Sprocket hole pitch cumulative tolerance ± 0.20 .
2. Carrier camber is within 1mm in 100mm.
3. Material: black conductive polystyrene alloy.
4. Material Thickness: 0.3 ± 0.05 mm.
5. All dimensions meet EIA-481-B requirements.
6. 5000pcs Pef Reel.
7. For tape width(dim W)16 and 24mm pilot holes are provided on one sides.
For tape width(dim W)32, 44 and 56mm pilot holes are provided on both sides.



PIN NO.	W	C	PCS /REEL	REEL/CARTON	SUM(PCS)
4PIN~20PIN	16	-	1000	12	12000
21PIN~40PIN	24	-	1000	10	10000
41Pin~50PIN	32	28.4	1000	8	8000
51Pin~60PIN	44	40.4	1000	6	6000



MARK

1

2

3

4

5

6

7

8

9

TOLERANCE

X. X ± 0.30
X. XX ± 0.20
X. XXX ± 0.10
Angle $\pm 2^\circ$

TITLE:

0.8BTB PLUG
Series packing

DRAWN: Arvin 2020.03.05

CHECKED:

APPROVED:

KONNRA 东莞市康瑞电子有限公司

DongGuan Konnra Electronics Co., Ltd.

PART NO.: 0802VS*****0101RA

UNIT: mm

SCALE: N/A

SHEET: 1/1

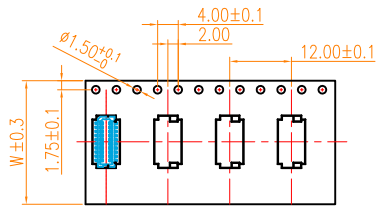
PROJECTION

REV.: A1

DRAWING NO.: 0802WVS201-A-P

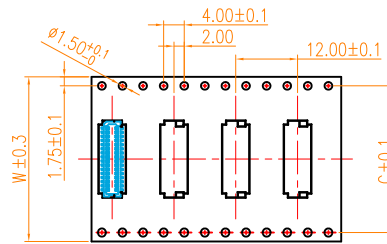
RoHS
COMPLIANT

Tape width 16 and 24 mm



PULL OUT DIRECTION

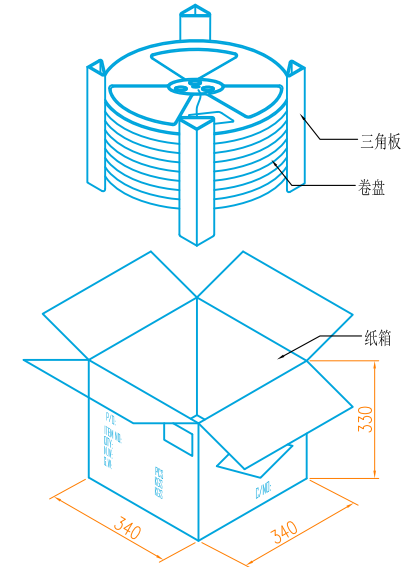
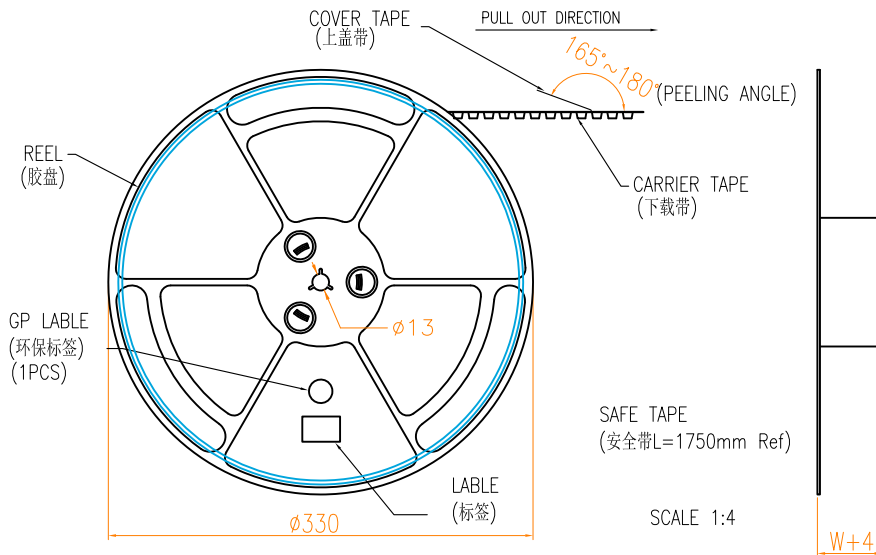
Tape width 32 and 44 mm



PULL OUT DIRECTION

NOTE:

- 1.10 Sprocket hole pitch cumulative tolerance ± 0.20 .
2. Carrier camber is within 1mm in 100mm.
3. Material: black conductive polystyrene alloy.
4. Material Thickness: 0.3 ± 0.05 mm.
5. All dimensions meet EIA-481-B requirements.
6. 5000pcs Pef Reel.
7. For tape width(dim W)16 and 24mm pilot holes are provided on one sides.
For tape width(dim W)32, 44 and 56mm pilot holes are provided on both sides.



PIN NO.	W	C	PCS /REEL	REEL/CARTON	SUM(PCS)
4PIN~20PIN	16	-	1000	12	12000
21PIN~40PIN	24	-	1000	10	10000
41Pin~50PIN	32	28.4	1000	8	8000
51Pin~60PIN	44	40.4	1000	6	6000



MARK	REVISION DESCRIPTION	SIGNATURE	DATE	TOLERANCE	TITLE:	DRAWN:	KONNRA 东莞市康瑞电子有限公司		
				X. X ± 0.30	0.8BTB SOCKET	Arvin 2020.03.05	DongGuan Konnra Electronics Co., Ltd.		
				X. XX ± 0.20	Series packing	CHECKED:	PART NO.: 0802FS*****0101RA		
				X. XXX ± 0.10		APPROVED:	REV.: A1 DRAWING NO.: 0802FRS201-A-P		
				Angle $\pm 2^\circ$	UNIT: mm SCALE: N/A	SHEET: 1/1 PROJECTION			

1 2 3 4 5 6 7 8 9