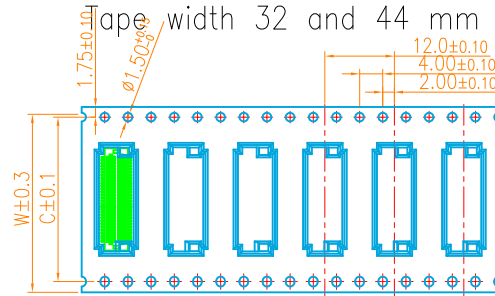
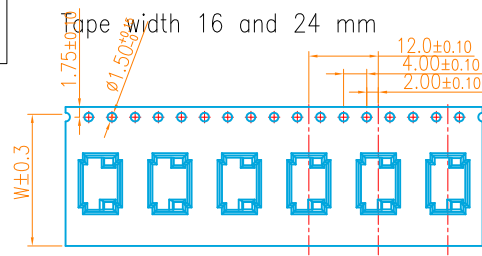


RoHS COMPLIANT

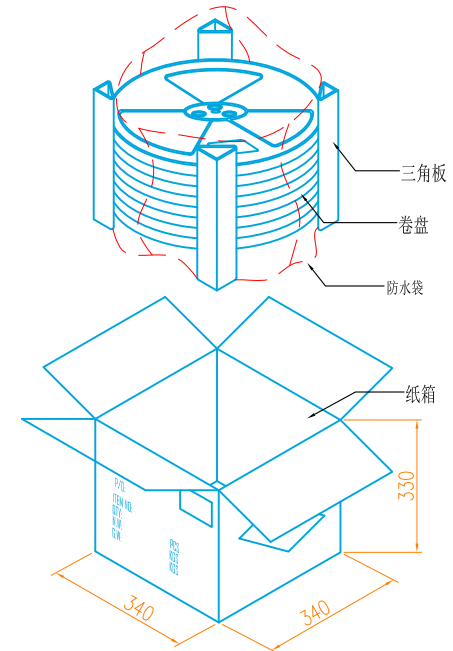
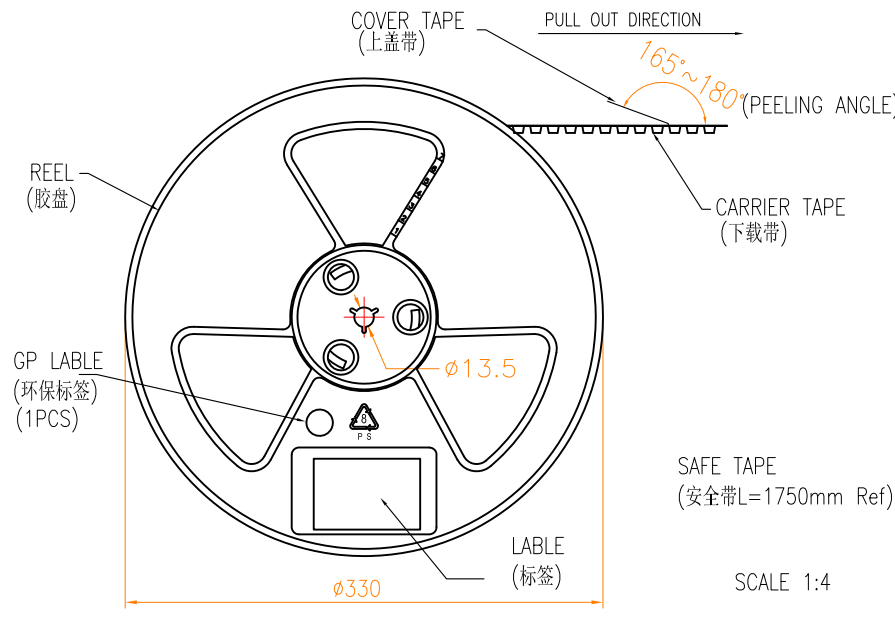


NOTE:

- 1.10 Sprocket hole pitch cumulative tolerance ± 0.20 .
2. Carrier camber is within 1mm in 100mm.
3. Material: black conductive polystyrene alloy.
4. Material Thickness: 0.3 ± 0.05 mm.
5. All dimensions meet EIA-481-B requirements.
6. 5000pcs Pef Reel.
7. For tape width(dim W)16 and 24mm pilot holes are provided on one sides.
For tape width(dim W)32, 44 and 56mm pilot holes are provided on both sides.

PULL OUT DIRECTION

PULL OUT DIRECTION



PIN NO.	W	C	PCS/REEL (PLUG)	PCS/REEL (REC)	REEL/CARTON
4PIN~20PIN	16	-	4000	2000	15
22PIN~52PIN	24	-	4000	2000	10
54Pin~70PIN	32	28.4	4000	2000	8
72Pin~100PIN	44	40.4	4000	2000	6



MARK

1

2

3

4

5

6

7

8

9

TOLERANCE

X. X ± 0.30
X. XX ± 0.20
X. XXX ± 0.10
Angle $\pm 2^\circ$

TITLE:

0.5 BTB
Series packing

DRAWN: Arvin 2020.03.05

CHECKED:

APPROVED:

KONNRA 东莞市康瑞电子有限公司

DongGuan Konnra Electronics Co., Ltd.

PART NO.: 0500VS****0101RA

UNIT: mm

SCALE: N/A

SHEET: 1/1

PROJECTION

REV.: A1

DRAWING NO.: 0500WVS101-A-P