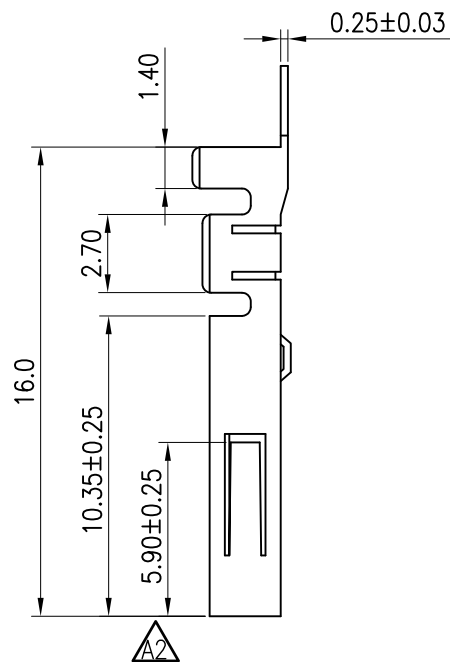
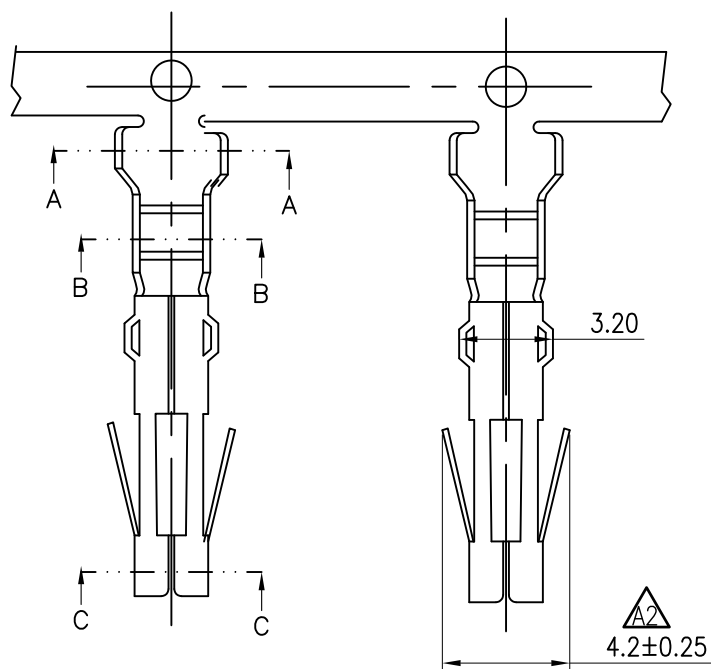


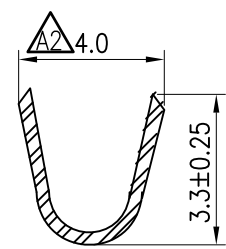
RoHS
COMPLIANT



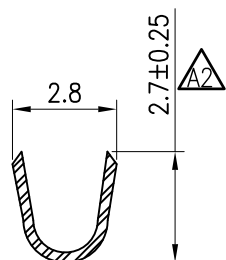
SPECIFICATIONS

1. Current rating: 10A AC, DC
2. Voltage rating: 250V AC, DC
3. Temperature range: -40°C ~ +105°C
4. Insulation resistance: 1000MΩ/ min.
5. Withstanding voltage: 1500V AC/ minute.
6. Contact resistance: 20mΩ/ max.

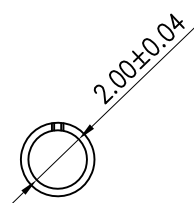
Material: Brass/Tin plated over nickel
 Applicable wires: AWG #18~#24
 Insulation O.D 2.10mm Max.
 Suitable KR5080 series male housing
 Q'ty/reel: 7,000PCS



SECTION A-A



SECTION B-B



SECTION C-C

TOLERANCE
X.X ±0.30
X.XX ±0.20
X.XXX ±0.10
Angle ±2°

TITLE:
MX Big 4P Female
Terminal Low Foot

DRAWN: Arvin 2020.04.13

CHECKED:

APPROVED:

KONNRA 东莞市康瑞电子有限公司
DongGuan Konnra Electronics Co.,Ltd.

PART NO.: T5080FBT0102A



Uniformly arrange the drawings

Arvin 2020.03.05

MARK

REVISION DESCRIPTION

SIGNATURE

DATE

UNIT:mm

SCALE:N/A

SHEET: 1/1

PROJECTION

REV.: A3

DRAWING NO.: 5080TF102-A-S

1

2

3

4

5

6

7

8

9