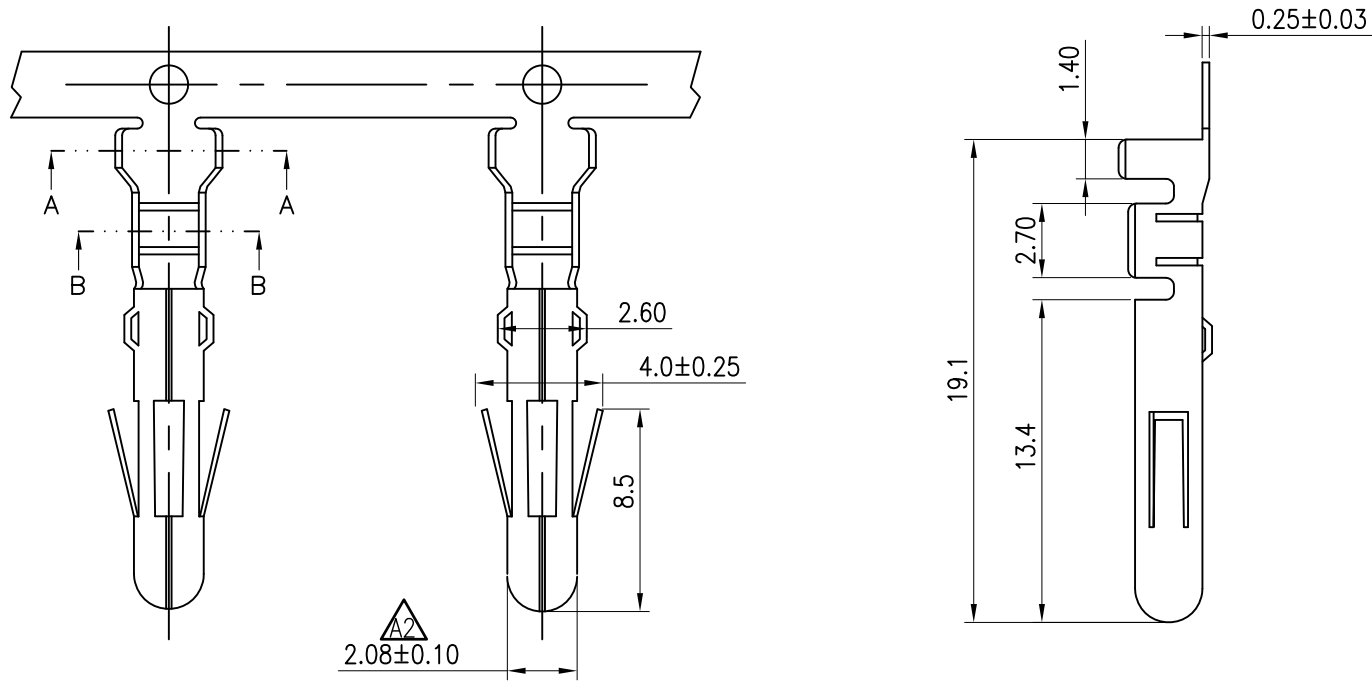


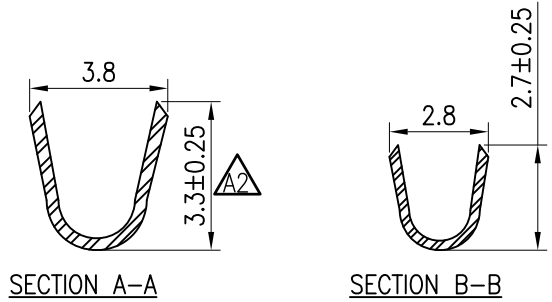
RoHS
COMPLIANT



SPECIFICATIONS

1. Current rating: 10A AC, DC
2. Voltage rating: 250V AC, DC
3. Temperature range: -40°C ~ +105°C
4. Insulation resistance: 1000MΩ/ min.
5. Withstanding voltage: 1500V AC/ minute.
6. Contact resistance: 20mΩ/ max.

Material: Brass/Tin plated over nickel
 Applicable wires: AWG #18~#24
 Insulation O.D 2.10mm Max.
 Suitable KR5080 series female housing
 Q'ty/reel: 7,000PCS



				TOLERANCE	TITLE:		DRAWN: <i>Arvin 2020.04.13</i>		KONNRA 东莞市康瑞电子有限公司		
				X.X ±0.30	MX Big 4P Male		CHECKED:		DongGuan Konnra Electronics Co.,Ltd.		
				X.XX ±0.20	Terminal Low foot		APPROVED:		PART NO.: T5080MBT0102A		
				X.XXX ±0.10			SHEET: 1/1		REV.: A3		
				Angle ±2°	UNIT: mm		SCALE: N/A		DRAWING NO.: 5080TM102-A-S		
					PROJECTION						
MARK		REVISION DESCRIPTION		SIGNATURE		DATE					
1		2		3		4		5		6	
7		8		9							