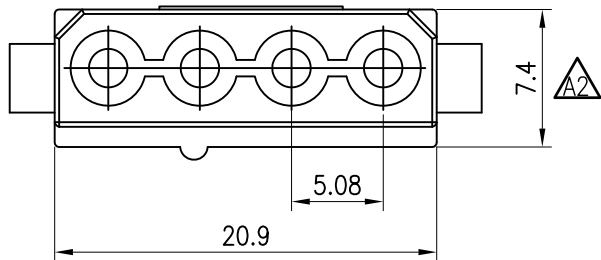


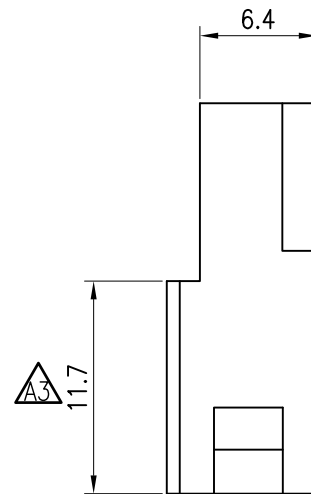
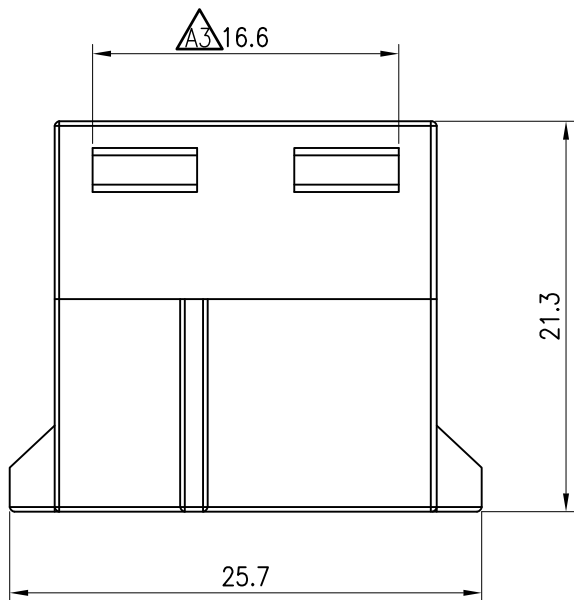
RoHS
COMPLIANT



SPECIFICATIONS

1. Current rating: 10A AC, DC
2. Voltage rating: 250V AC, DC
3. Temperature range: -40°C ~ +105°C
4. Insulation resistance: 1000MΩ/ min.
5. Withstanding voltage: 1500V AC/ minute.
6. Contact resistance: 20mΩ/ max.

Material: PA66 UL 94V-2
 Suitable KR5080 female terminal
 Mate with KR5080 series female housing

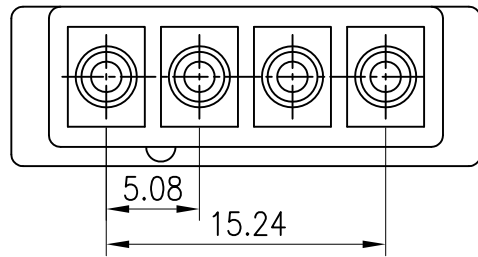


			TOLERANCE	TITLE:	DRAWN: <i>Arvin 2020.04.13</i>	KONNRA 东莞市康瑞电子有限公司	
			X.X ±0.30	MX Big 4P Male	CHECKED:	DongGuan Konnra Electronics Co.,Ltd.	
			X.XX ±0.20	Housing	APPROVED:	PART NO.: H5080M1041601A	
			X.XXX ±0.10			REV.: A4	DRAWING NO.: 5080HM101-A-S
			Angle ±2°	UNIT: mm	SCALE: N/A	SHEET: 1/1	PROJECTION

	Uniformly arrange the drawings	Arvin	2022.01.19
--	--------------------------------	-------	------------

MARK	REVISION DESCRIPTION	SIGNATURE	DATE
1			

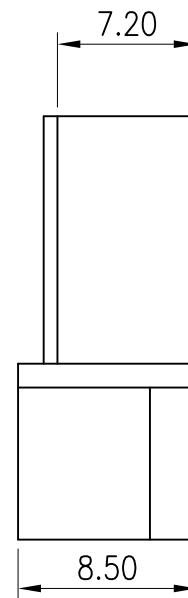
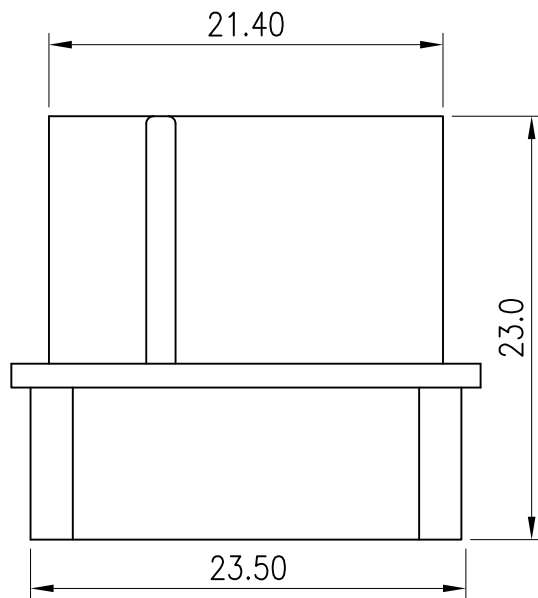
RoHS
COMPLIANT



SPECIFICATIONS

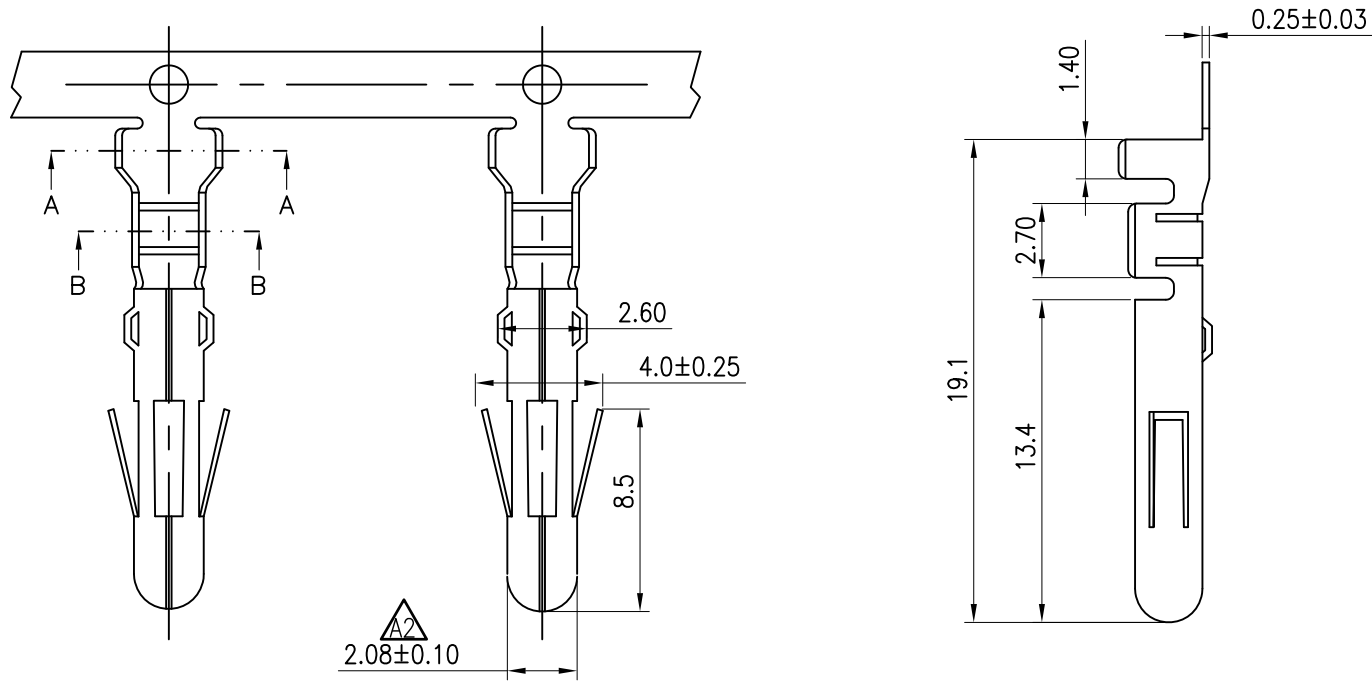
1. Current rating: 10A AC, DC
2. Voltage rating: 250V AC, DC
3. Temperature range: -40°C ~ +105°C
4. Insulation resistance: 1000MΩ/ min.
5. Withstanding voltage: 1500V AC/ minute.
6. Contact resistance: 20mΩ/ max.

Material: PA66 UL 94V-2
 Suitable KR5080 male terminal
 Mate with KR5080 series male housing



F				TOLERANCE	TITLE: MX Big 4P Female Housing	DRAWN: <i>Arvin 2020.04.13</i>	KONNRA 东莞市康瑞电子有限公司 DongGuan Konnra Electronics Co.,Ltd.			
				X.X ±0.30		CHECKED:				
		Uniformly arrange the drawings	Arvin	2020.03.05		X.XX ±0.20		APPROVED:		
MARK	REVISION DESCRIPTION	SIGNATURE	DATE	X.XXX ±0.10	UNIT:mm	SCALE:N/A	SHEET:1/1	PROJECTION	REV.:A2	DRAWING NO.:5080HF101-A-S
	1	2	3	4	5	6	7	8	9	

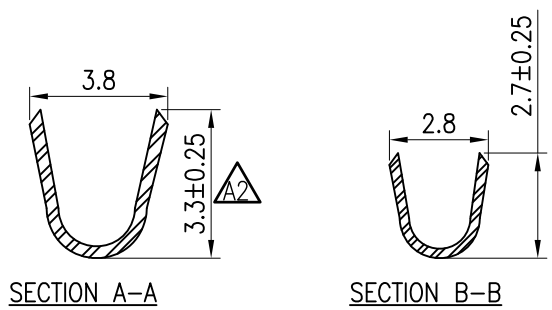
RoHS
COMPLIANT



SPECIFICATIONS

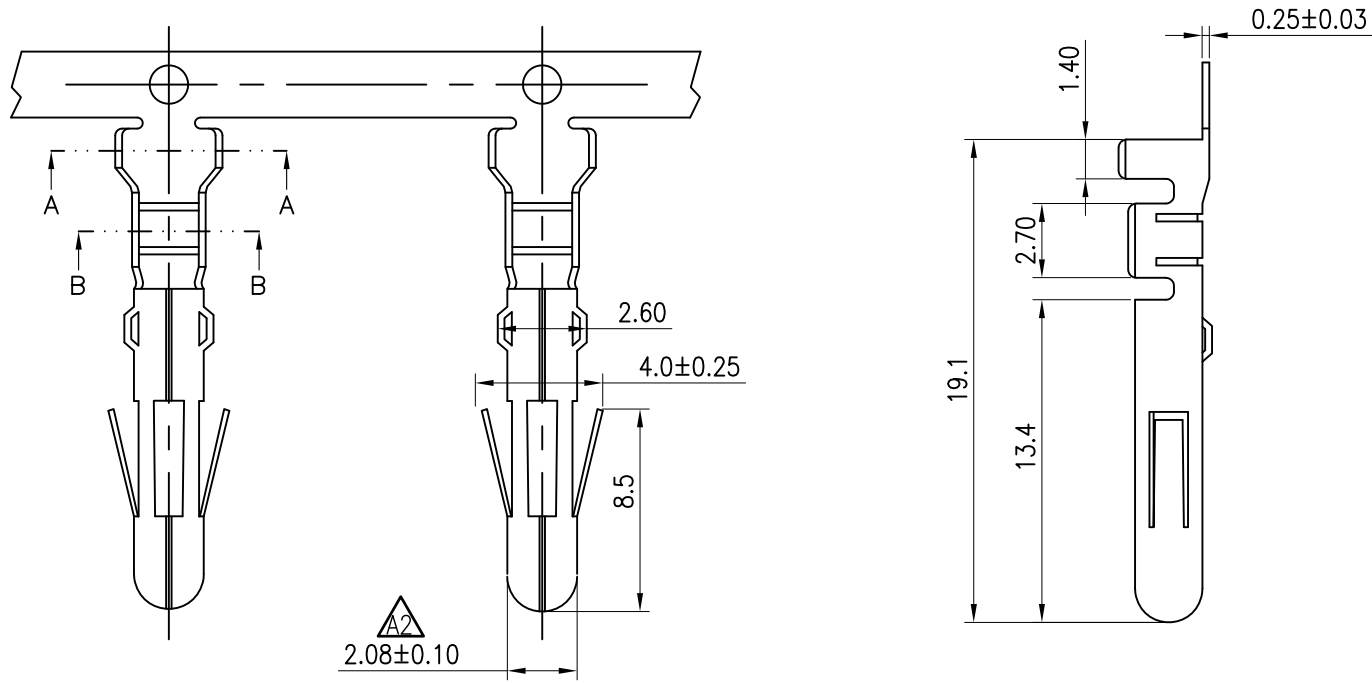
1. Current rating: 10A AC, DC
2. Voltage rating: 250V AC, DC
3. Temperature range: -40°C ~ +105°C
4. Insulation resistance: 1000MΩ/ min.
5. Withstanding voltage: 1500V AC/ minute.
6. Contact resistance: 20mΩ/ max.

Material: Brass/Tin plated over nickel
 Applicable wires: AWG #18~#24
 Insulation O.D 2.10mm Max.
 Suitable KR5080 series female housing
 Q'ty/reel: 7,000PCS



			TOLERANCE	TITLE:		DRAWN: <i>Arvin 2020.04.13</i>		KONNRA 东莞市康瑞电子有限公司								
			X.X ±0.30	MX Big 4P Male		CHECKED:		DongGuan Konnra Electronics Co.,Ltd.								
			X.XX ±0.20	Terminal Low foot		APPROVED:		PART NO.: T5080MBT0102A								
			X.XXX ±0.10			SHEET: 1/1		REV.: A3								
			Angle ±2°	UNIT: mm		SCALE: N/A		DRAWING NO.: 5080TM102-A-S								
<table border="1"> <tr> <th>MARK</th> <th>REVISION DESCRIPTION</th> <th>SIGNATURE</th> <th>DATE</th> </tr> <tr> <td></td> <td>Uniformly arrange the drawings</td> <td>Arvin</td> <td>2020.03.05</td> </tr> </table>			MARK	REVISION DESCRIPTION	SIGNATURE	DATE		Uniformly arrange the drawings	Arvin	2020.03.05			PROJECTION			
MARK	REVISION DESCRIPTION	SIGNATURE	DATE													
	Uniformly arrange the drawings	Arvin	2020.03.05													

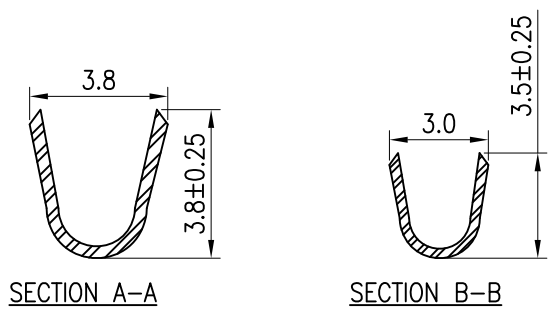
RoHS
COMPLIANT



SPECIFICATIONS

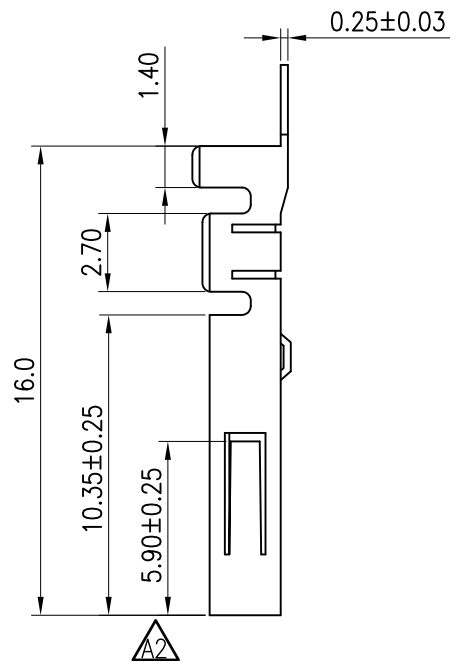
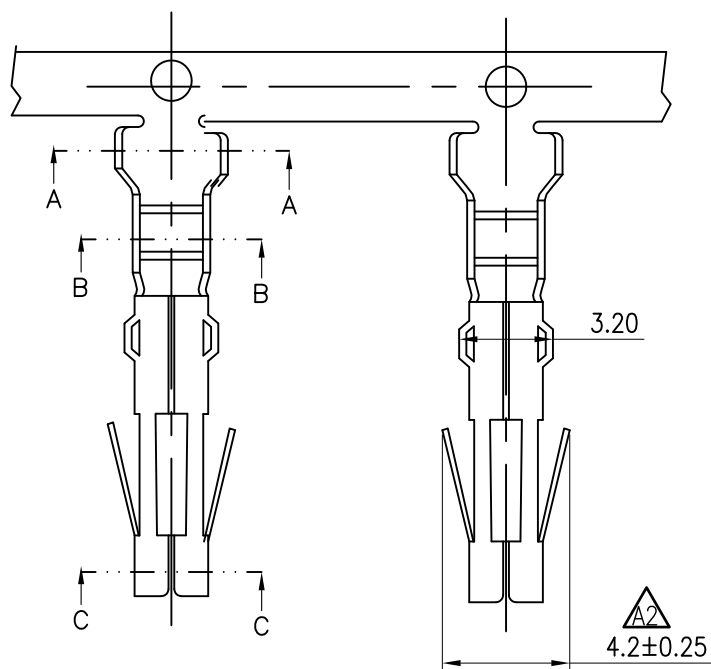
1. Current rating: 10A AC, DC
2. Voltage rating: 250V AC, DC
3. Temperature range: -40°C ~ +105°C
4. Insulation resistance: 1000MΩ/ min.
5. Withstanding voltage: 1500V AC/ minute.
6. Contact resistance: 20mΩ/ max.

Material: Brass/Tin plated over nickel
 Applicable wires: AWG #16~#20
 Insulation O.D 2.50mm Max.
 Suitable KR5080 series male housing
 Q'ty/reel: 6,000PCS



A3	Uniformly arrange the drawings	Arvin	2020.03.05	TOLERANCE	TITLE: MX Big 4P Male Terminal High foot	DRAWN: <i>Arvin 2020.04.13</i>		KONNRA 东莞市康瑞电子有限公司		
				X.X ±0.30 X.XX ±0.20 X.XXX ±0.10 Angle ±2°		CHECKED:	DongGuan Konnra Electronics Co.,Ltd.		PART NO.: T5080MBT0101A	
MARK	REVISION DESCRIPTION	SIGNATURE	DATE		UNIT:mm	SCALE:N/A	SHEET: 1/1	PROJECTION	REV.: A3	DRAWING NO.: 5080TM101-A-S

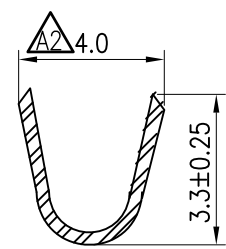
RoHS
COMPLIANT



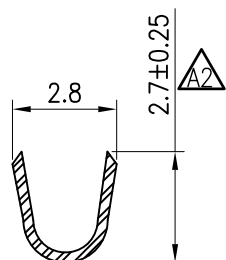
SPECIFICATIONS

1. Current rating: 10A AC, DC
2. Voltage rating: 250V AC, DC
3. Temperature range: -40°C ~ +105°C
4. Insulation resistance: 1000MΩ/ min.
5. Withstanding voltage: 1500V AC/ minute.
6. Contact resistance: 20mΩ/ max.

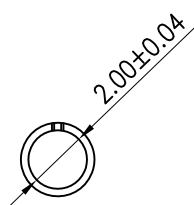
Material: Brass/Tin plated over nickel
 Applicable wires: AWG #18~#24
 Insulation O.D 2.10mm Max.
 Suitable KR5080 series male housing
 Q'ty/reel: 7,000PCS



SECTION A-A



SECTION B-B



SECTION C-C

TOLERANCE
 X.X ±0.30
 X.XX ±0.20
 X.XXX ±0.10
 Angle ±2°

TITLE:
 MX Big 4P Female
 Terminal Low Foot

DRAWN: *Arvin 2020.04.13*

CHECKED:

APPROVED:

KONNRA 东莞市康瑞电子有限公司
 DongGuan Konnra Electronics Co.,Ltd.

PART NO.: T5080FBT0102A



Uniformly arrange the drawings

Arvin 2020.03.05

MARK

REVISION DESCRIPTION

SIGNATURE

DATE

UNIT:mm SCALE:N/A

SHEET: 1/1

PROJECTION

REV.: A3

DRAWING NO.: 5080TF102-A-S

1

2

3

4

5

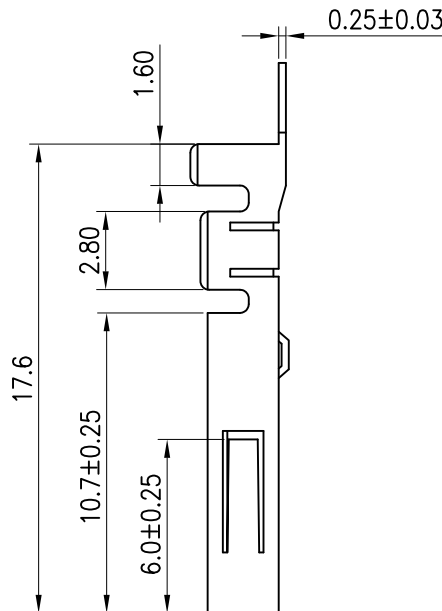
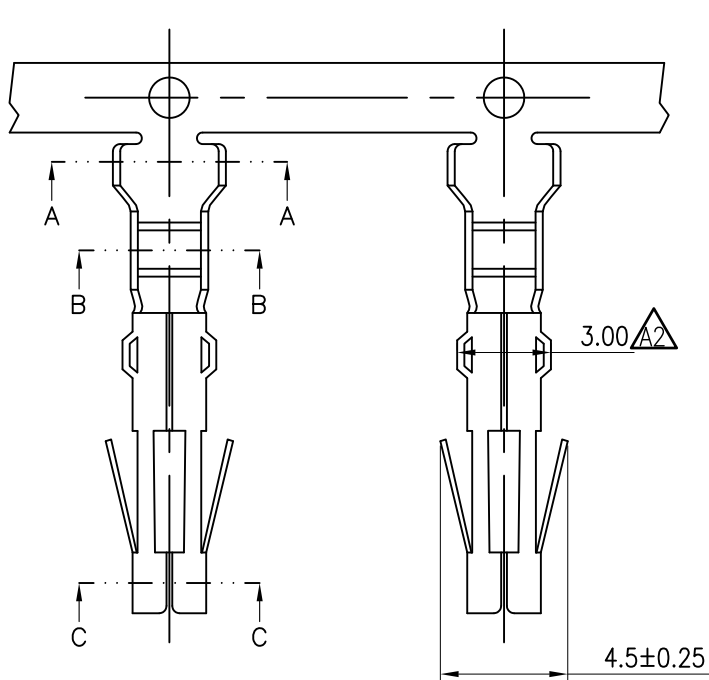
6

7

8

9

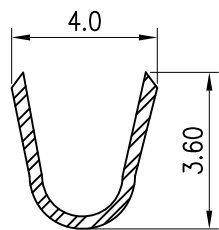
RoHS
COMPLIANT



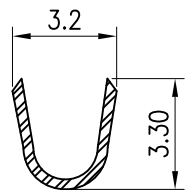
SPECIFICATIONS

1. Current rating: 10A AC, DC
2. Voltage rating: 250V AC, DC
3. Temperature range: -40°C ~ +105°C
4. Insulation resistance: 1000MΩ/ min.
5. Withstanding voltage: 1500V AC/ minute.
6. Contact resistance: 20mΩ/ max.

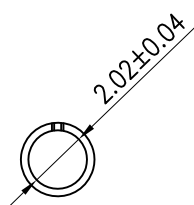
Material: Brass/Tin plated over nickel
 Applicable wires: AWG #16~#20
 Insulation O.D 2.50mm Max.
 Suitable KR5080 series female housing
 Q'ty/reel: 6,000PCS



SECTION A-A



SECTION B-B



SECTION C-C

TOLERANCE
 X.X ±0.30
 X.XX ±0.20
 X.XXX ±0.10
 Angle ±2°

TITLE:
 MX Big 4P Female
 Terminal High foot

DRAWN: *Arvin 2020.04.13*

CHECKED:

APPROVED:

KONNRA 东莞市康瑞电子有限公司
 DongGuan Konnra Electronics Co.,Ltd.

PART NO.: T5080FBT0101A



MARK

REVISION DESCRIPTION

SIGNATURE

DATE

UNIT:mm

SCALE:N/A

SHEET: 1/1

PROJECTION

REV.: A3

DRAWING NO.: 5080TF101-A-S

1

2

3

4

5

6

7

8

9