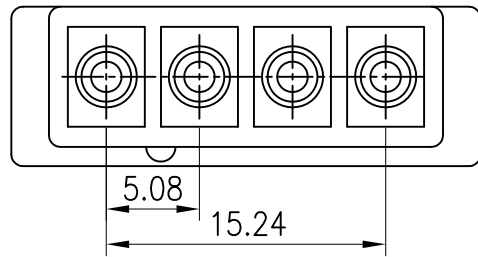


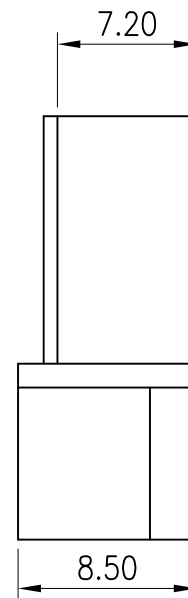
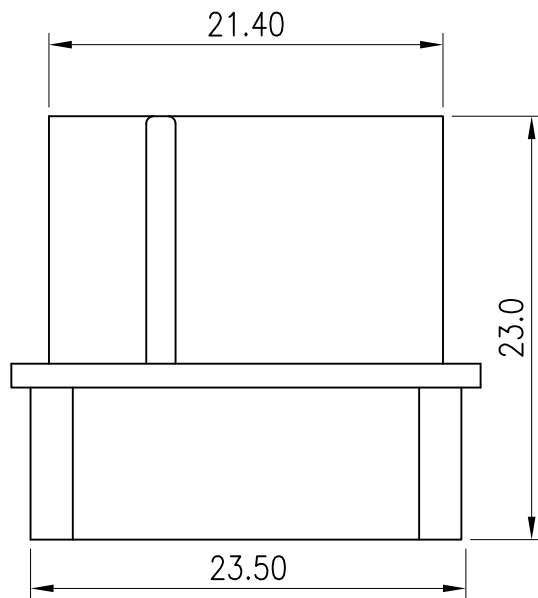
**RoHS**  
COMPLIANT



**SPECIFICATIONS**

1. Current rating: 10A AC, DC
2. Voltage rating: 250V AC, DC
3. Temperature range: -40°C ~ +105°C
4. Insulation resistance: 1000MΩ/ min.
5. Withstanding voltage: 1500V AC/ minute.
6. Contact resistance: 20mΩ/ max.

Material: PA66 UL 94V-2  
 Suitable KR5080 male terminal  
 Mate with KR5080 series male housing



MARK

1

2

3

4

5

6

7

8

9

TOLERANCE

X.X ±0.30  
 X.XX ±0.20  
 X.XXX ±0.10  
 Angle ±2°

TITLE:  
 MX Big 4P Female  
 Housing

UNIT: mm SCALE: N/A

DRAWN: *Arvin 2020.04.13*

CHECKED:

APPROVED:

SHEET: 1/1 PROJECTION

**KONNRA** 东莞市康瑞电子有限公司  
 DongGuan Konnra Electronics Co., Ltd.

PART NO.: H5080F1041601A

REV.: A2 DRAWING NO.: 5080HF101-A-S

Uniformly arrange the drawings

Arvin

2020.03.05

REVISION DESCRIPTION

SIGNATURE

DATE

REV.: A2

DRAWING NO.: 5080HF101-A-S