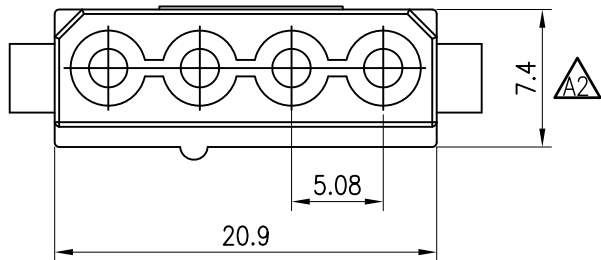


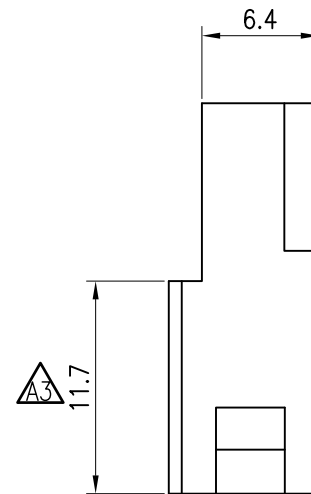
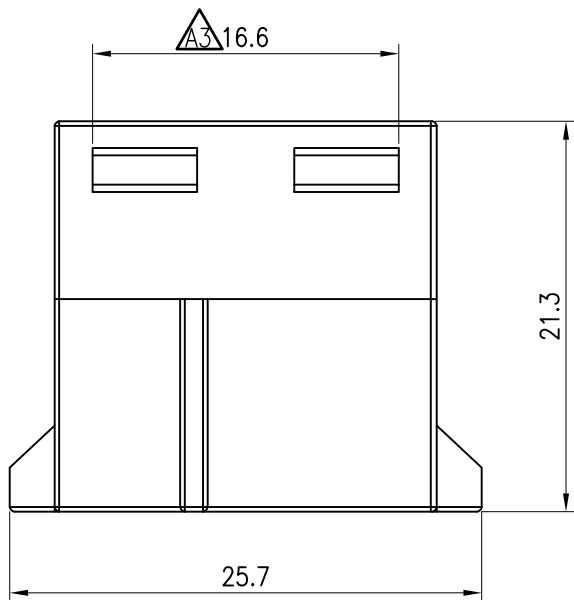
RoHS
COMPLIANT




SPECIFICATIONS

1. Current rating: 10A AC, DC
2. Voltage rating: 250V AC, DC
3. Temperature range: -40°C ~ +105°C
4. Insulation resistance: 1000MΩ/ min.
5. Withstanding voltage: 1500V AC/ minute.
6. Contact resistance: 20mΩ/ max.

Material: PA66 UL 94V-2
 Suitable KR5080 female terminal
 Mate with KR5080 series female housing



			TOLERANCE	TITLE:		DRAWN: <i>Arvin 2020.04.13</i>		KONNRA 东莞市康瑞电子有限公司	
			X.X ±0.30	MX Big 4P Male		CHECKED:		DongGuan Konnra Electronics Co.,Ltd.	
			X.XX ±0.20	Housing		APPROVED:		PART NO.: H5080M1041601A	
			X.XXX ±0.10			SHEET: 1/1		REV.: A4	
			Angle ±2°	UNIT: mm		SCALE: N/A		DRAWING NO.: 5080HM101-A-S	
 Uniformly arrange the drawings			Arvin	2022.01.19	PROJECTION 