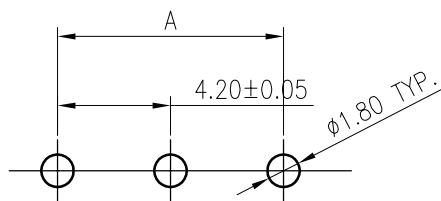
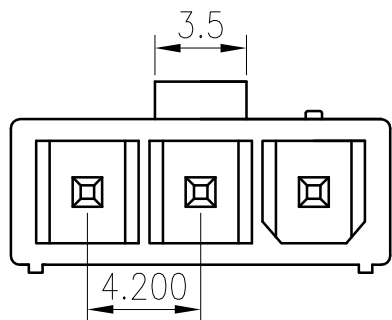
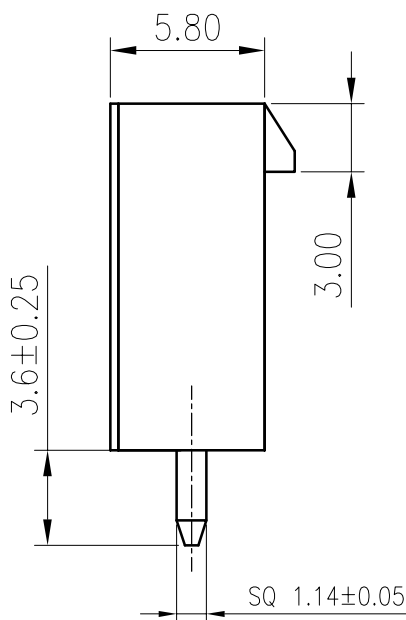
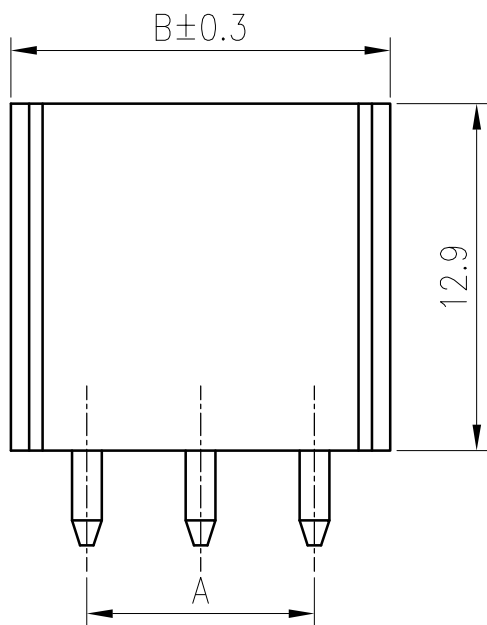


RoHS  
COMPLIANT



Recommended P.C.Board Layout



**SPECIFICATIONS**

1. Current rating: 9A(2P AWG#16) AC, DC
2. Voltage rating:600V AC,DC
3. Temperature range: -40°C ~ +105°C
4. Insulation resistance: 1000MΩ/ min.
5. Withstanding voltage: 1500V AC/ minute.
6. Contact resistance: 10mΩ/ max.

**Material:**

Insulator: Nylon 66 UL 94V-2

Contact: Brass

Plating: Tin plated over Nickel

Mate with KR4200 series double row male housing

**Ordering Code:**

C4200VD \*\*\* 16 T0101PC

No. of Circuits  
102:2,106:6

Insulator Material  
16:PA66 Transparent V2

Circuits	Dimensions	
	A	B
2	4.20	9.60
3	8.40	13.80
4	12.60	18.00
5	16.80	22.20
6	21.00	26.40

MARK	REVISION	DESCRIPTION	SIGNATURE	DATE
A4				
A3		Uniformly arrange the drawings	ZSZ	2022.01.16
A2		Change the part number and frame format	LJT	2020.05.23

TOLERANCE		TITLE: MX4.2 DIP Single Row 180° Wafer Solid needle without post
X. X	±0.30	
X. XX	±0.20	
X. XXX	±0.10	
Angle		±2°

DRAWN: Liujiangtian 2020.5.22	
CHECKED:	
APPROVED:	
UNIT: mm	SCALE: N/A
SHEET: 1/1	PROJECTION

KONNRA 东莞市康瑞电子有限公司	
DongGuan Konnra Electronics Co., Ltd.	
PART NO. : C4200VD***16T0101PC	
REV. : A3	DRAWING NO. : 4200WD101-C-S