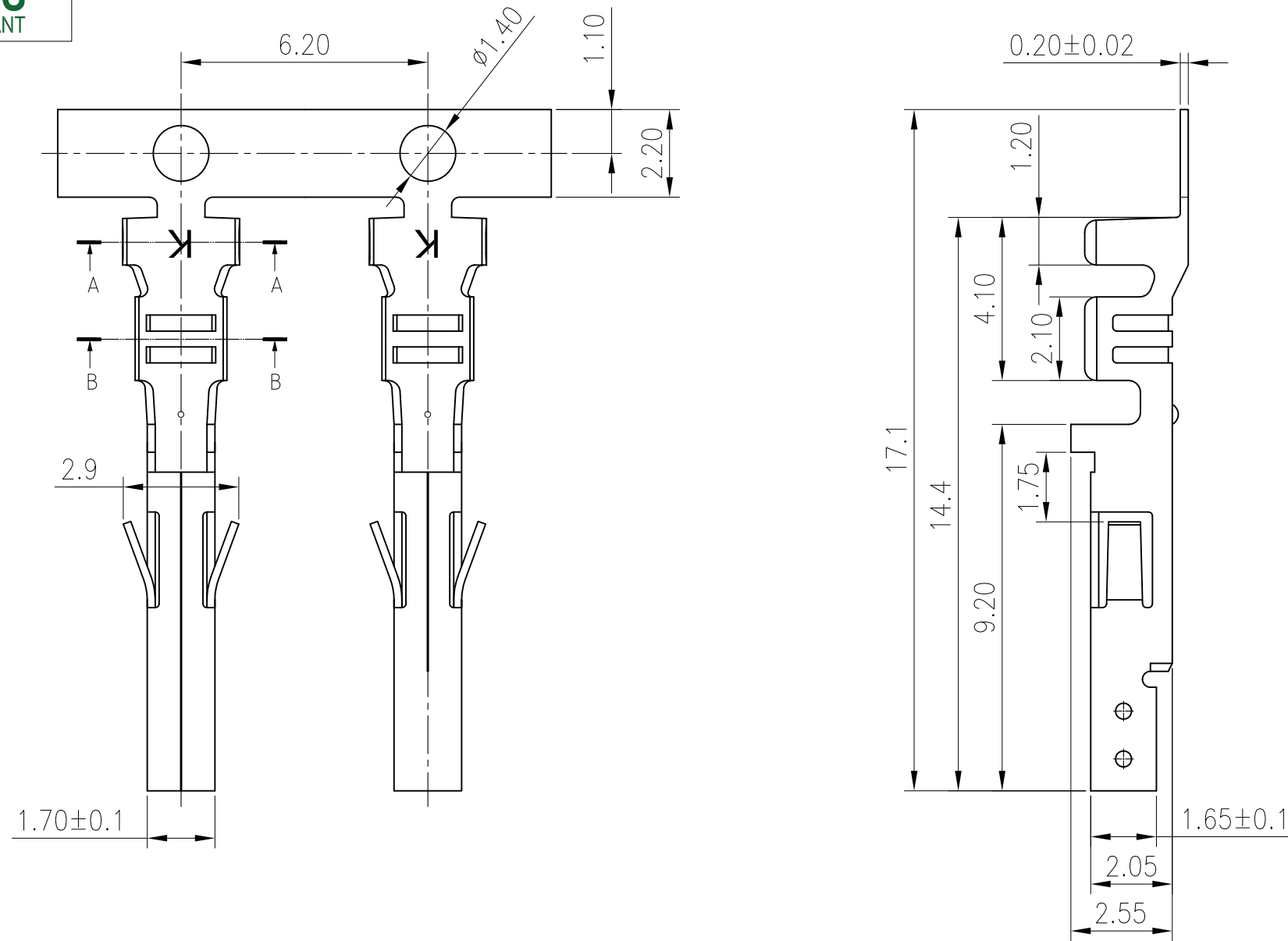


RoHS
COMPLIANT



◆ SPECIFICATIONS

- Current rating: 9A AC, DC(AWG#16,2 Circuit)
- Voltage rating: 600V AC,DC
- Temperature range: -40°C ~ +105°C
- Insulation resistance: 1000MΩ Min.
- Withstanding voltage: 1500V AC/ minute.
- Contact resistance: 10mΩ Max.

Material: Brass or Phosphor Bronze

Plating: Tin plated over Nickel

Applicable wire:

Conductor size: AWG#20~#24

Insulation O.D.: 1.10mm~1.80mm

Q'ty/reel: 10,000pcs

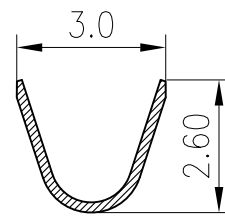
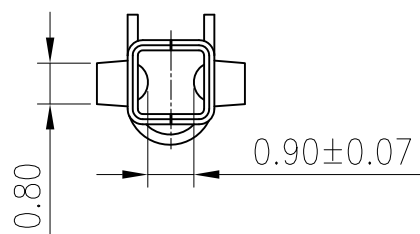
Ordering Code:

T4200F****02A

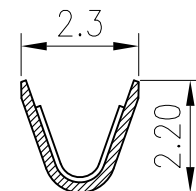
B:BRASS S00:Material

P:Phosphorus T01: Tin Plated

copper



SECTION A-A



SECTION B-B

F	△4			TOLERANCE	TITLE:	DRAWN: Shen 2021.09.22	KONNRA 东莞市康瑞电子有限公司			
	△3	Uniformly arrange the drawings	Shen	2021.09.22	X.X ±0.3	CHECKED:	DongGuan Konnra Electronics Co.,Ltd.			
	△2	Change the part number and frame format	TLX	2020.05.14	X.XX ±0.2	APPROVED:	PART NO.: T4200F****02A			
	MARK	REVISION DESCRIPTION	SIGNATURE	DATE	X.XXX ±0.1	UNIT:mm	SCALE:1/1	SHEET:1/1	PROJECTION	REV.:A3
	1	2	3	4	5	6	7	8	9	

Angle ±1°

MX4.2 Male Terminal short foot

PROJECTION

REV.:A3