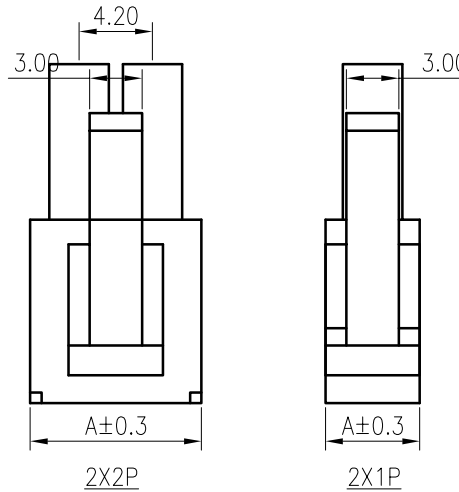
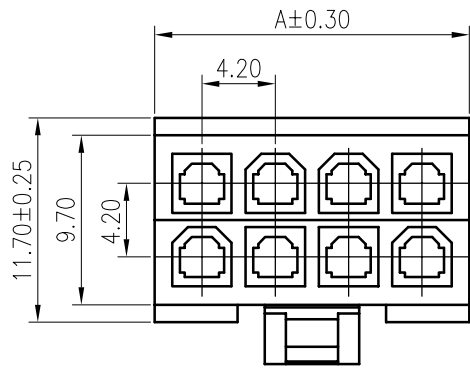


RoHS
COMPLIANT



SPECIFICATIONS

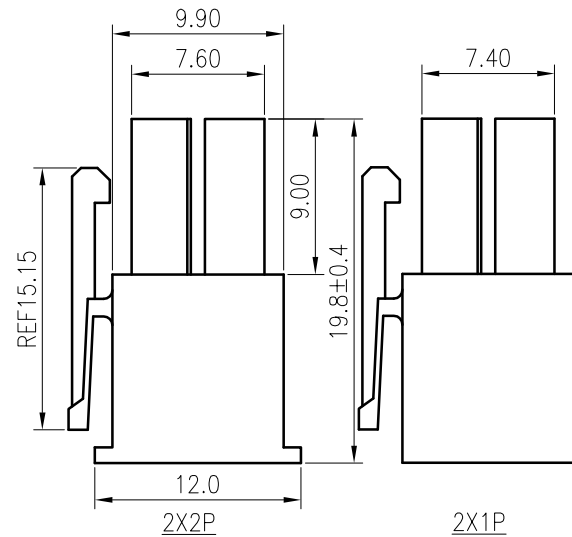
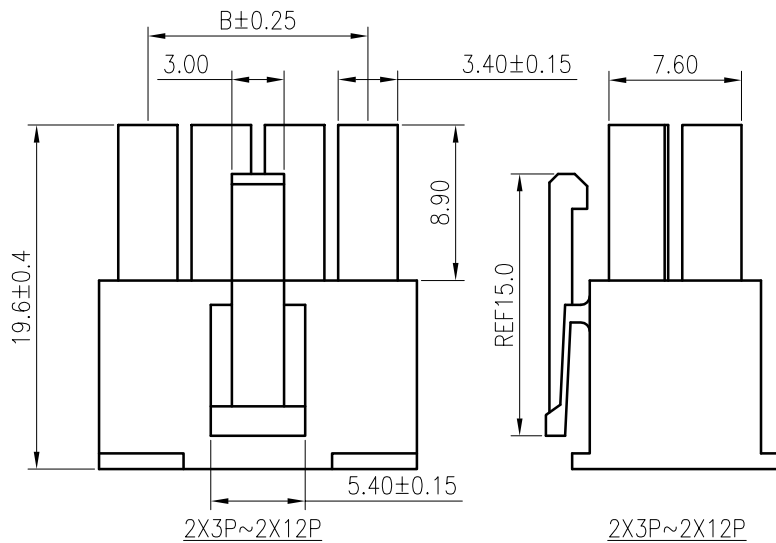
1. Current rating: 9A(2P AWG#16) AC, DC
2. Voltage rating:600V AC,DC
3. Temperature range: -40°C ~ +105°C
4. Insulation resistance: 1000MΩ/ min.
5. Withstanding voltage: 1500V AC/ minute.
6. Contact resistance: 10mΩ/ max.

Material: Nylon 66 UL94 V-2 or V-0
Suitable KR4200 series female terminal
Mate with KR4200 series double row female housing or wafer

Ordering Code:

H4200M *** ** 01A

No. of Circuits
201:2x1,212:2x12
Insulator Material
01:PA66 White V0
02:PA66 Black V0
04:PA66 Black V2
16:PA66 Transparent V2
38:PA66 Blue V2
39:PA66 Green V2



| Circuits | Dimensions | | Circuits | Dimensions | |
|----------|------------|-------|----------|------------|-------|
| | A | B | | A | B |
| 2x1 | 5.50 | | 2x7 | 30.70 | 25.20 |
| 2x2 | 9.70 | 4.20 | 2x8 | 34.90 | 29.40 |
| 2x3 | 13.90 | 8.40 | 2x9 | 39.10 | 33.60 |
| 2x4 | 18.10 | 12.60 | 2x10 | 43.30 | 37.80 |
| 2x5 | 22.30 | 16.80 | 2x11 | 47.50 | 42.00 |
| 2x6 | 26.50 | 21.00 | 2x12 | 51.70 | 46.20 |

| | | | | | | | |
|------|--------------------------------|-----------|------------|--------------|----------------------------------|-------------------------|---|
| △7 | | | | TOLERANCE | TITLE: | DRAWN: Arvin 2020.03.25 | KONNRA 东莞市康瑞电子有限公司 DongGuan Konnra Electronics Co., Ltd. PART NO. : H4200M xxx xx01A REV. : A5 DRAWING NO. : 4200HM201-A-S |
| △6 | | | | X. X ±0.30 | MK4.2 Double Row Male Housing | CHECKED: | |
| △5 | Uniformly arrange the drawings | ZSZ | 2022.01.16 | X. XX ±0.20 | | APPROVED: | |
| MARK | REVISION DESCRIPTION | SIGNATURE | DATE | X. XXX ±0.10 | | UNIT: mm SCALE: N/A | |

| | | | | | | | |
|---|---|---|---|-----------|---|---|---|
| | | | | Angle ±2° | | | |
| 1 | 2 | 3 | 4 | 5 | 6 | 7 | 8 |