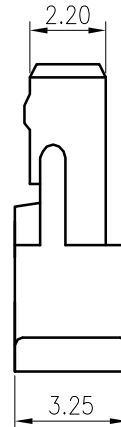
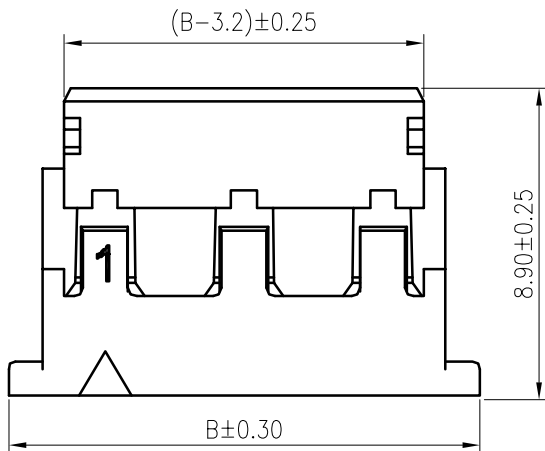
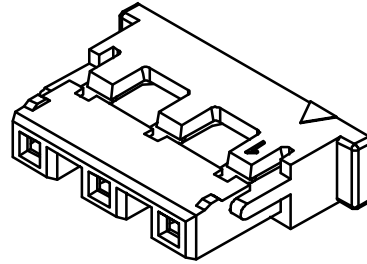
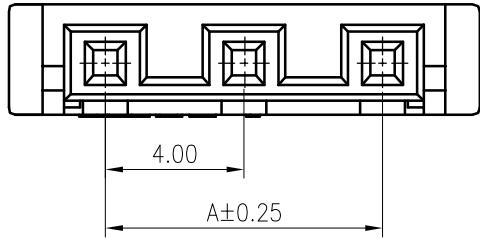


RoHS  
COMPLIANT



**SPECIFICATIONS**

1. Current rating: 1A AC, DC
2. Voltage rating: 600V AC,DC
3. Temperature range: -40°C ~ +105°C
4. Insulation resistance: 1000MΩ/ min.
5. Withstanding voltage: 1800V AC/ minute.
6. Contact resistance: 20mΩ/ max.

Material: PA66 UL94 V-0  
Suitable: KR4000 series female terminal  
Mate with KR4000 series wafer

Ordering Code:

H4000M 102 01 01A

No. of Circuits  
102:2,105:5

Insulator Material  
01:PA66 White V0

Circuits	Dimensions	
	A	B
02	4.00	9.60
03	8.00	13.60
04	12.00	17.60
05	16.00	21.60



MARK

Change the part number and frame format

Arvin 2020.05.30

TOLERANCE  
X. X ±0.30  
X. XX ±0.20  
X. XXX ±0.10  
Angle ±2°

TITLE:  
BH4.0 公Housing

UNIT: mm SCALE: N/A

DRAWN: Arvin 2020.05.30

CHECKED:

APPROVED:

SHEET: 1/1 PROJECTION

KONNRA 东莞市康瑞电子有限公司  
DongGuan Konnra Electronics Co., Ltd.

PART NO. : H4000M\*\*\*0101A

REV. : A2 DRAWING NO. : 4000HM101-A-S

1

2

3

4

5

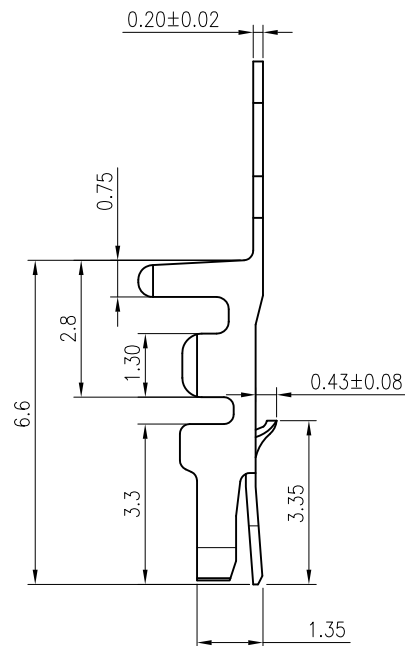
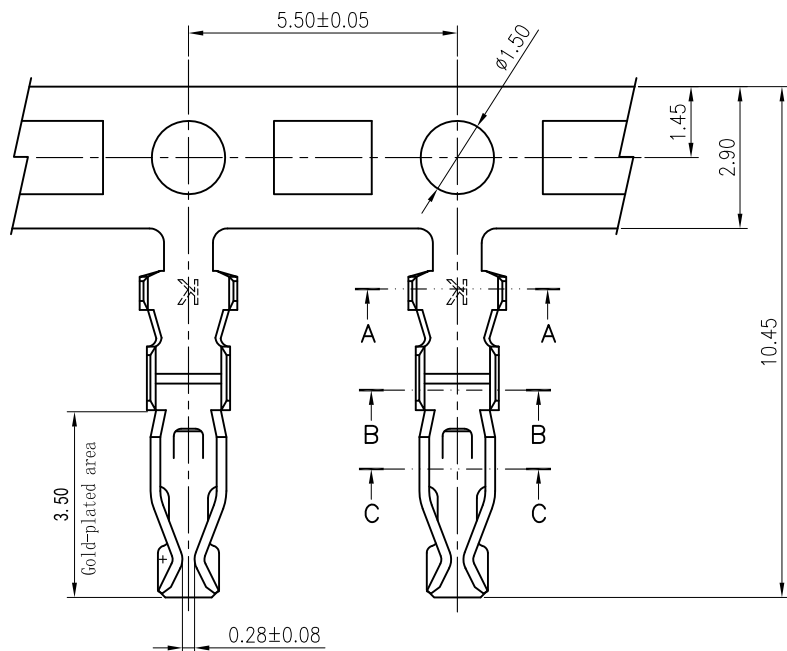
6

7

8

9

**RoHS**  
COMPLIANT



**SPECIFICATIONS**

1. Current rating: 3A AC, DC
2. Voltage rating: 250V AC, DC
3. Temperature range: -40°C ~ +105°C
4. Insulation resistance: 1000MΩ/ min.
5. Withstanding voltage: 800V AC/ minute.
6. Contact resistance: 20mΩ/ max.

Material: Phosphor Bronze

Plating: Tin plated over nickel

Applicable wire:

Conductor size: AWG#24~#28

Insulation O.D.: 0.9~1.40mm

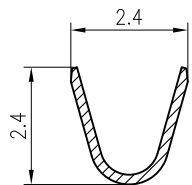
Suitable: KR2005/KR2014 series Housing

Q'ty/reel: 10,000pcs

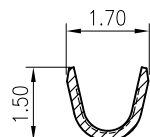
Ordering Code:

T20050P\*\*\*01A

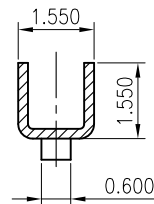
- S00: Nnplated
- T01: Bright tin
- B04: Au 5u"
- B08: Au 2u"



SECTION A-A



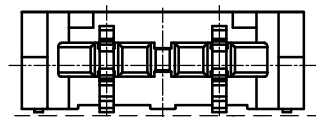
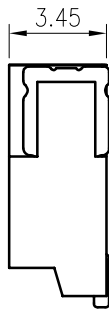
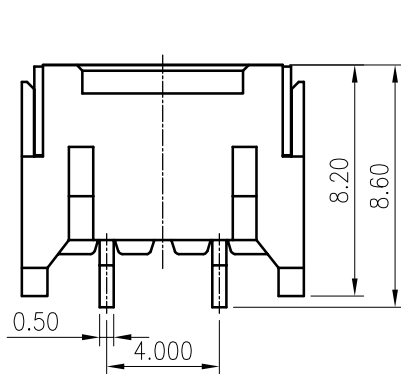
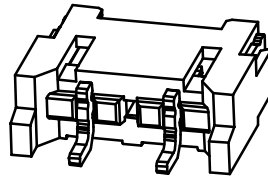
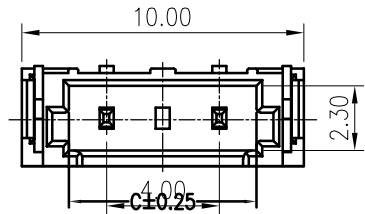
SECTION B-B



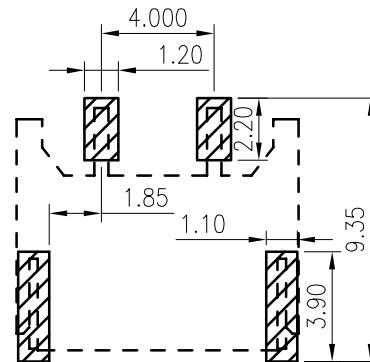
SECTION C-C

F		Uniformly arrange the drawings	ZSZ	2021.09.22	TOLERANCE X.X ±0.3 X.XX ±0.2 X.XXX ±0.1 Angle ±2°	TITLE: PHD/PA2.0 Terminal	DRAWN: ZSZ 2021.09.22		KONNRA 东莞市康瑞电子有限公司 DongGuan Konnra Electronics Co.,Ltd.		
		Change the part number and frame format	TLX	2020.05.14			CHECKED:		PART NO.: T20050P***01A		
	MARK	REVISION DESCRIPTION	SIGNATURE	DATE	UNIT:mm	SCALE:N/A	SHEET:1/1	PROJECTION	REV.:A3	DRAWING NO.: 2005T01-A-S	
	1	2	3	4	5	6	7	8	9		

**RoHS**  
COMPLIANT



0.10 Max



Recommended P.C.B. Layout  
Total tolerance: ±0.05mm

**SPECIFICATIONS**

1. Current rating: 1A AC, DC
2. Voltage rating: 600V AC, DC
3. Temperature range: -40°C ~ +105°C
4. Insulation resistance: 1000MΩ/ min.
5. Withstanding voltage: 1800V AC/ minute.
6. Contact resistance: 20mΩ/ max.

**Material:**

Insulator: PA9T UL 94V-0  
Contact: Brass  
Solder Nail: Brass  
Plating: Tin plated over Nickel  
Mate With KR4000 series Housing

F	△4				TOLERANCE X. X ±0.30 X. XX ±0.20 X. XXX ±0.10 Angle ±2°	TITLE: BH4.0 SMT 90° Wafer 2P	DRAWN: Arvin 2020.05.30		KONNRA 东莞市康瑞电子有限公司 DongGuan Konnra Electronics Co., Ltd.		
	△3						CHECKED:				
	△2	Change the part number and frame format	Arvin	2020.05.30			APPROVED:		PART NO. : C4000RS10211T0101RA		
	MARK	REVISION DESCRIPTION	SIGNATURE	DATE			UNIT: mm	SCALE: N/A	SHEET: 1/1	PROJECTION	REV. : A2
	1	2	3	4	5	6	7	8	9		