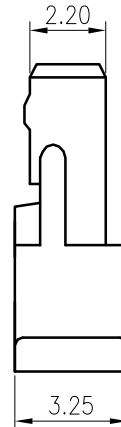
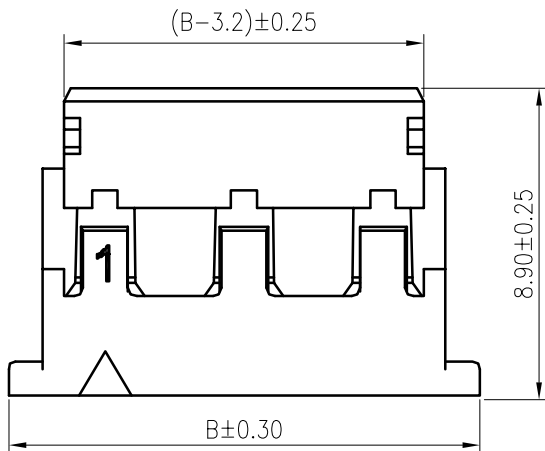
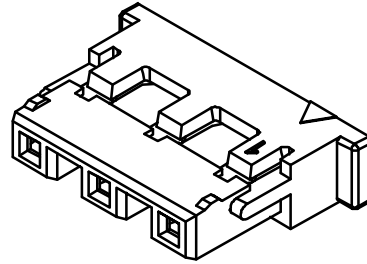
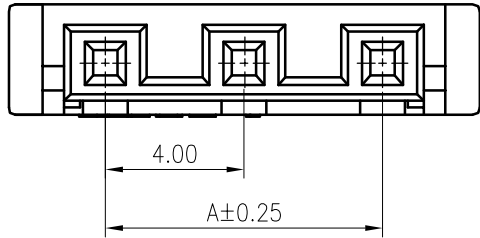


RoHS  
COMPLIANT



**SPECIFICATIONS**

1. Current rating: 1A AC, DC
2. Voltage rating: 600V AC,DC
3. Temperature range: -40°C ~ +105°C
4. Insulation resistance: 1000MΩ/ min.
5. Withstanding voltage: 1800V AC/ minute.
6. Contact resistance: 20mΩ/ max.

Material: PA66 UL94 V-0  
Suitable: KR4000 series female terminal  
Mate with KR4000 series wafer

Ordering Code:

H4000M 102 01 01A

No. of Circuits  
102:2,105:5

Insulator Material  
01:PA66 White V0

Circuits	Dimensions	
	A	B
02	4.00	9.60
03	8.00	13.60
04	12.00	17.60
05	16.00	21.60



MARK

Change the part number and frame format

Arvin 2020.05.30

TOLERANCE  
X. X ±0.30  
X. XX ±0.20  
X. XXX ±0.10  
Angle ±2°

TITLE:  
BH4.0 公Housing

UNIT: mm SCALE: N/A

DRAWN: Arvin 2020.05.30

CHECKED:

APPROVED:

SHEET: 1/1 PROJECTION

KONNRA 东莞市康瑞电子有限公司  
DongGuan Konnra Electronics Co., Ltd.

PART NO. : H4000M\*\*\*0101A

REV. : A2 DRAWING NO. : 4000HM101-A-S

1

2

3

4

5

6

7

8

9