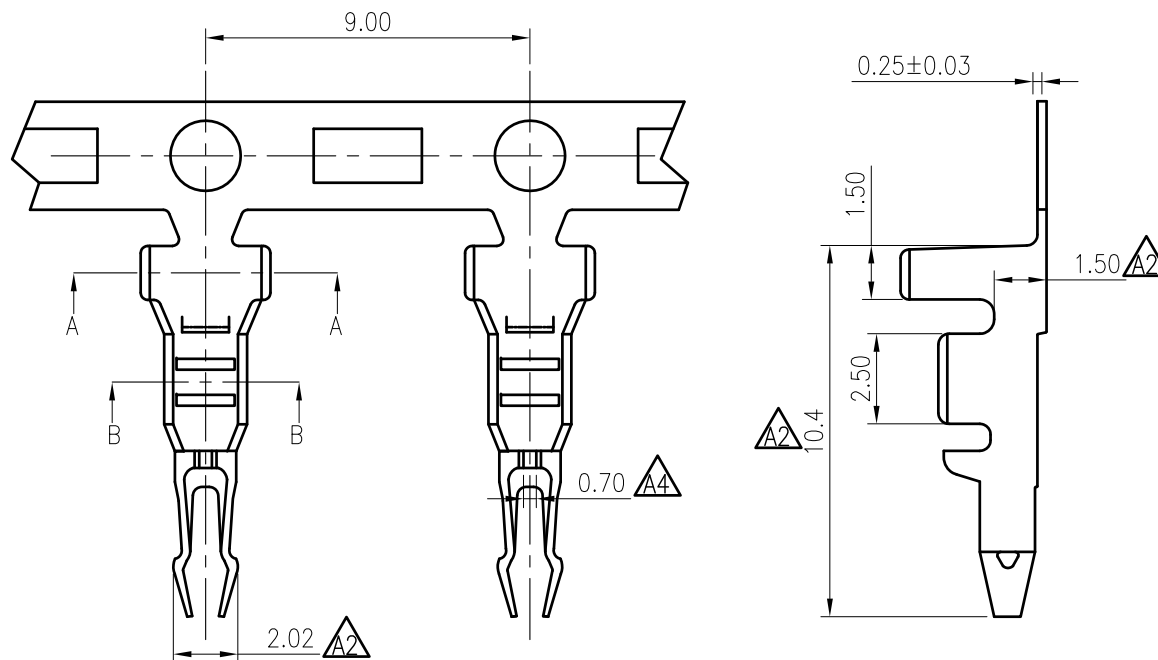


RoHS  
COMPLIANT



**SPECIFICATIONS**

1. Current rating: 7A AC, DC
2. Voltage rating: 250V AC, DC
3. Temperature range: -40°C ~ +105°C
4. Insulation resistance: 1000MΩ/ min.
5. Withstanding voltage: 1500V AC/ minute.
6. Contact resistance: 20mΩ/ max.

Material: Brass

Plating: Tin plated over Nickel

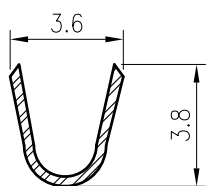
Applicable wires:

AWG #18~#22

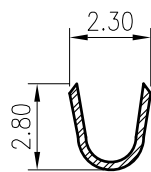
Insulation O.D.: 2.80mm Max.

Suitable KR3963 series housing

Q'ty/reel: 6,000 PCS



SECTION A-A



SECTION B-B

TOLERANCE

X.X ±0.30

X.XX ±0.20

X.XXX ±0.10

Angle ±2°

TITLE:  
SDN3.96 Terminal

DRAWN: Shen 2022.01.19

CHECKED:

APPROVED:

KONNRA 东莞市康瑞电子有限公司

DongGuan Konnra Electronics CO.,LTD

PART NO.: T39630BT0101A



Uniformly arrange the drawings

Shen

2022.01.19

MARK

REVISION DESCRIPTION

SIGNATURE

DATE

UNIT:mm

SCALE:N/A

SHEET:1/1

PROJECTION

VER.:A5

DRAWING NO.:3963T101-A-S

1

2

3

4

5

6

7

8

9