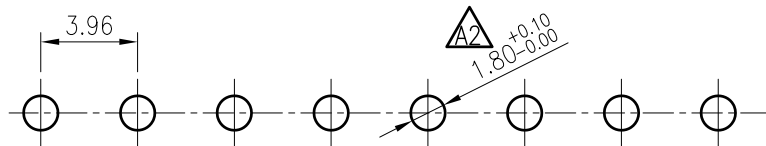
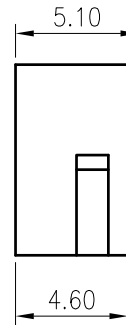
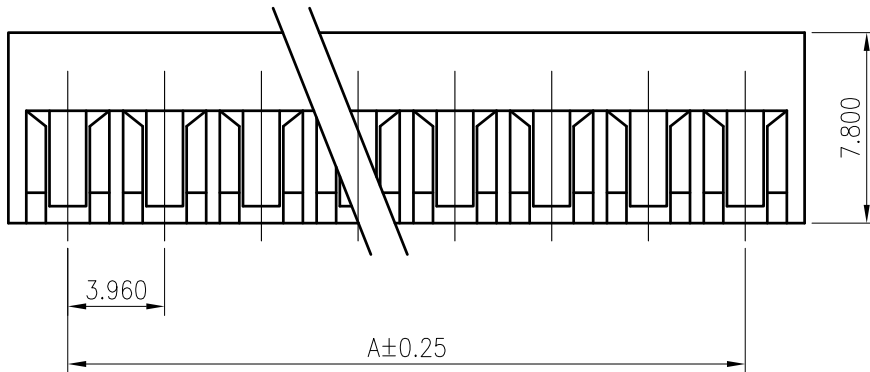
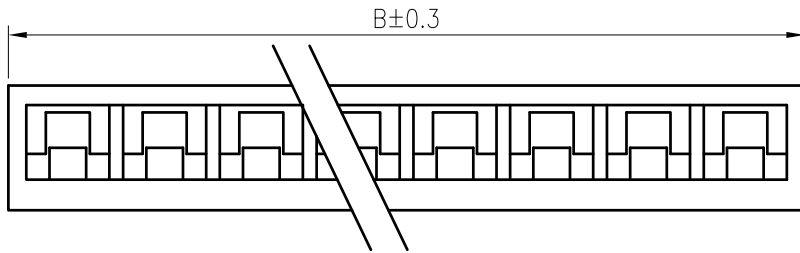


RoHS
COMPLIANT



Recommended P.C.B. Layout
Total tolerance: ±0.05mm

SPECIFICATIONS

1. Current rating: 7A AC, DC
2. Voltage rating: 250V AC, DC
3. Temperature range: -40°C ~ +105°C
4. Insulation resistance: 1000MΩ/ min.
5. Withstanding voltage: 1500V AC/ minute.
6. Contact resistance: 20mΩ/ max.

Material: PA66 UL94V-0
Suitable KR3963 series terminal

Ordering Code:

H39630 xxx 01 01A

No. of Circuits
102:2, 115:15

Insulator Material
01: PA66 White V0

Circuits	Dimensions		Circuits	Dimensions	
	A	B		A	B
2	3.96	8.62	9	31.68	36.34
3	7.92	12.58	10	35.64	40.30
4	11.88	16.54	11	39.60	44.26
5	15.84	20.50	12	43.56	48.22
6	19.80	24.46	13	47.52	52.18
7	23.76	28.42	14	51.48	56.14
8	27.72	32.38	15	55.44	60.10

TOLERANCE
X.X ±0.30
X.XX ±0.20
X.XXX ±0.10
Angle ±2°

TITLE:
SDN3.96 Housing

DRAWN: Shen 2022.01.19

CHECKED:

APPROVED:

KONNRA 东莞市康瑞电子有限公司
DongGuan Konnra Electronics Co., Ltd.

PART NO.: H39630***0101A



Uniformly arrange the drawings

Shen

2022.01.19

MARK

REVISION DESCRIPTION

SIGNATURE

DATE

UNIT: mm

SCALE: N/A

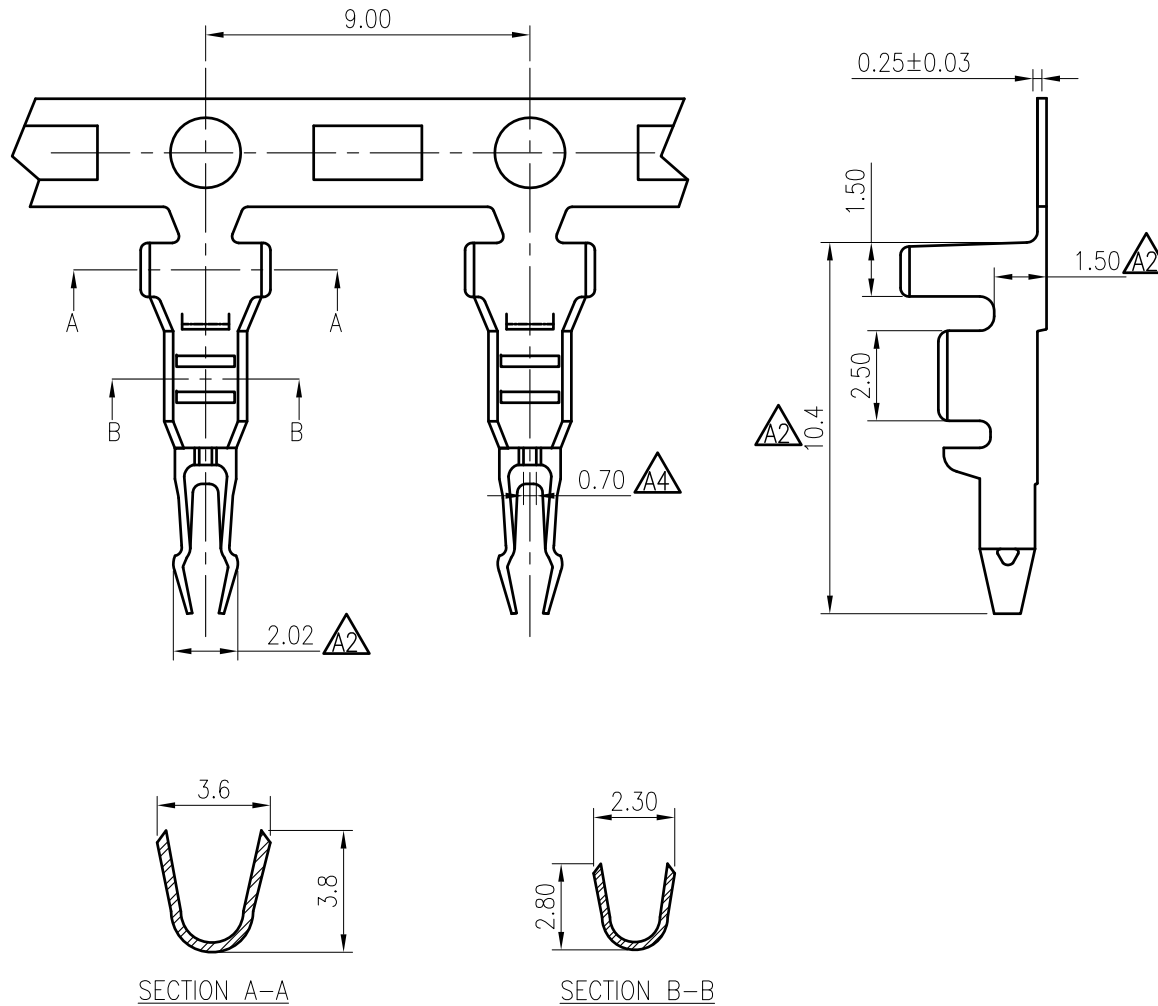
SHEET: 1/1

PROJECTION

REV.: A4

DRAWING NO.: 3963H101-A-S

RoHS
COMPLIANT



SPECIFICATIONS

1. Current rating: 7A AC, DC
2. Voltage rating: 250V AC, DC
3. Temperature range: -40°C ~ +105°C
4. Insulation resistance: 1000MΩ/ min.
5. Withstanding voltage: 1500V AC/ minute.
6. Contact resistance: 20mΩ/ max.

Material: Brass

Plating: Tin plated over Nickel

Applicable wires:

AWG #18~#22

Insulation O.D.: 2.80mm Max.

Suitable KR3963 series housing

Q'ty/reel: 6,000 PCS

SECTION A-A

SECTION B-B

TOLERANCE

X.X ±0.30
X.XX ±0.20
X.XXX ±0.10
Angle ±2°

TITLE:
SDN3.96 Terminal

DRAWN: Shen 2022.01.19

CHECKED:

APPROVED:

KONNRA 东莞市康瑞电子有限公司

DongGuan Konnra Electronics CO.,LTD

PART NO.: T39630BT0101A

MARK

REVISION DESCRIPTION

SIGNATURE

DATE

UNIT:mm

SCALE:N/A

SHEET:1/1

PROJECTION

VER.:A5

DRAWING NO.:3963T101-A-S

1 2 3 4 5 6 7 8 9