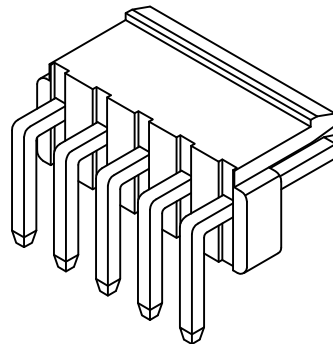
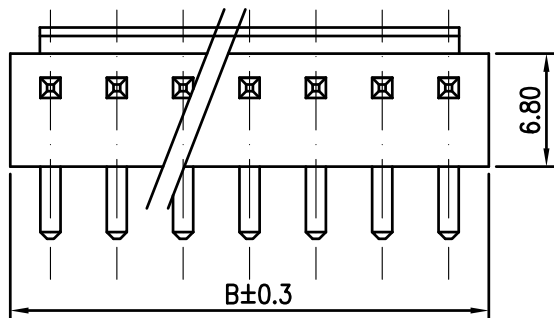


RoHS  
COMPLIANT



SPECIFICATIONS

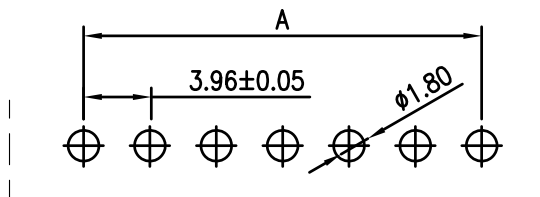
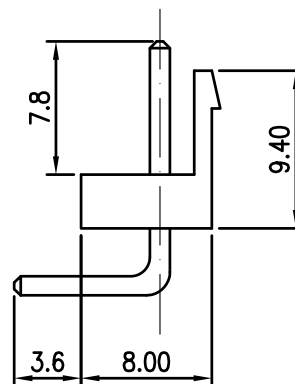
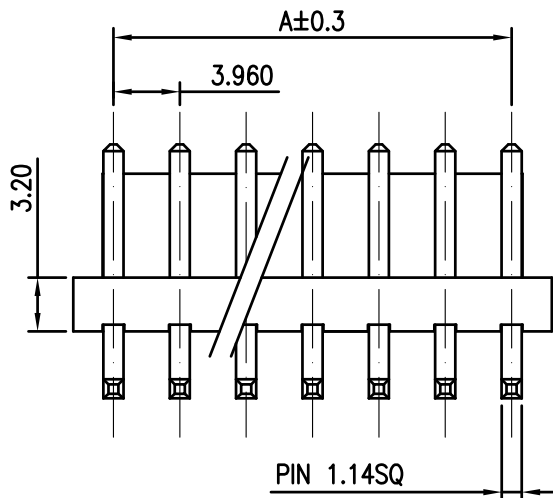
1. Current rating: 7A AC, DC
2. Voltage rating: 250V AC, DC
3. Temperature range:  $-40^{\circ}\text{C} \sim +105^{\circ}\text{C}$
4. Insulation resistance: 1000M $\Omega$ / min.
5. Withstanding voltage: 1500V AC/ minute.
6. Contact resistance: 20m $\Omega$ / max.

Material:

Insulator: PA66 UL94 V-0  
Contact: Brass  
Plating: Tin plated over Nickel  
Mate With KR3961 Series Housing

Ordering Code:

C3961RD xxx 01 T01 01PA  
No. of Circuits 102:2,116:16 Plating T01: Tin plated  
Insulator Material 01: PA66 White V0



Recommended P.C.B. Layout  
Total tolerance:  $\pm 0.05\text{mm}$

Circuits	Dimensions		Circuits	Dimensions	
	A	B		A	B
2	3.96	7.92	10	35.64	39.60
3	7.92	11.88	11	39.60	43.56
4	11.88	15.84	12	43.56	47.52
5	15.84	19.80	13	47.52	51.48
6	19.80	23.76	14	51.48	55.44
7	23.76	27.72	15	55.44	59.40
8	27.72	31.68	16	59.40	63.36
9	31.68	35.64			



Change the part number and frame format

Arvin

2020.05.08

TOLERANCE  
X.X  $\pm 0.30$   
X.XX  $\pm 0.20$   
X.XXX  $\pm 0.10$   
Angle  $\pm 2^{\circ}$

TITLE:  
VH3.96 DIP 90°  
Wafer

DRAWN: Arvin 2020.05.08

CHECKED:

APPROVED:

KONNRA 东莞市康瑞电子有限公司  
DongGuan Konnra Electronics Co.,Ltd.

PART NO.: C3961RD\*\*\*01T0101PA

MARK

REVISION DESCRIPTION

SIGNATURE

DATE

UNIT:mm

SCALE:N/A

SHEET:1/1

PROJECTION

REV.:A2

DRAWING NO.:3961WRD101-A-S

1

2

3

4

5

6

7

8

9