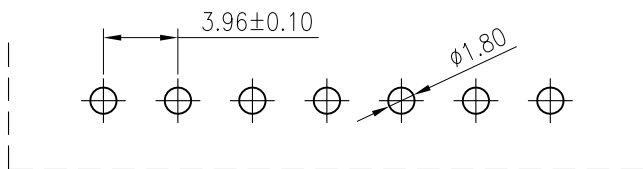
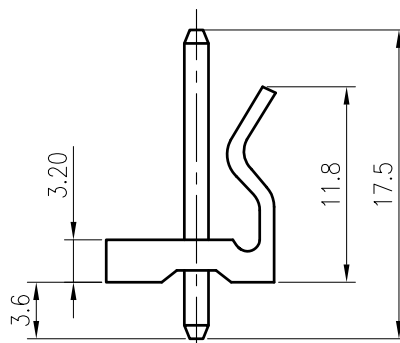
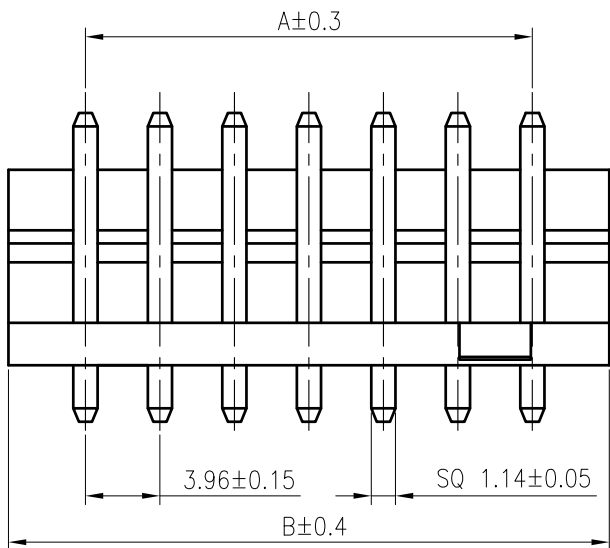
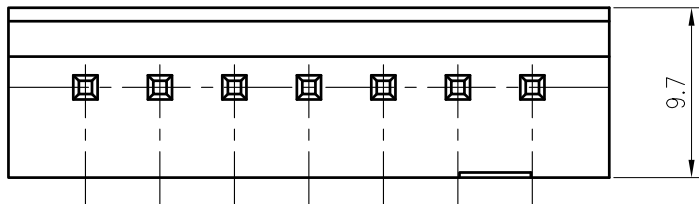


RoHS
COMPLIANT



Recommended P.C.B. Layout
Total tolerance:±0.05mm

SPECIFICATIONS

1. Current rating: 7A AC, DC
2. Voltage rating:250V AC,DC
3. Temperature range: -40°C ~ +105°C
4. Insulation resistance: 1000MΩ/ min.
5. Withstanding voltage: 1500V AC/ minute.
6. Contact resistance: 20mΩ/ max.

Material:

Insulator: PA66 UL94 V-2
Contact: Brass
Plating: Tin plated over Nickel
Mate With KR3960 Series Housing

Ordering Code:

C3960VD xxx 16 T01 01PA
No.of Circuits 102:2,112:12
Insulator Material 16:PA66 Transparent
Plating T01: Tin plated

Circuits	Dimensions		Circuits	Dimensions	
	A	B		A	B
2	3.96	7.92	8	27.72	31.68
3	7.92	11.88	9	31.68	35.64
4	11.88	15.84	10	35.64	39.60
5	15.84	19.80	11	39.60	43.56
6	19.80	23.76	12	43.56	47.52
7	23.76	27.72			



MARK

Uniformly arrange the drawings

Change the part number and frame format

REVISION DESCRIPTION

Arvin 2021.12.24

Arvin 2020.05.07

SIGNATURE

2021.12.24

2020.05.07

DATE

TOLERANCE

X.X ±0.30
X.XX ±0.20
X.XXX ±0.10
Angle ±2°

TITLE:
MX3.96 DIP 180°
Wafercurved back

UNIT:mm SCALE:N/A

DRAWN: Arvin 2020.05.07

CHECKED:

APPROVED:

SHEET:1/1

KONNRA 东莞市康瑞电子有限公司
DongGuan Konnra Electronics Co.,Ltd.

PART NO.:C3960VDxxx16T0101PA

PROJECTION REV.:A3 DRAWING NO.:3960WVD101-A-S