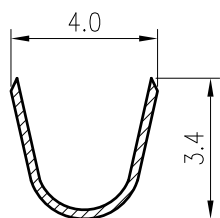
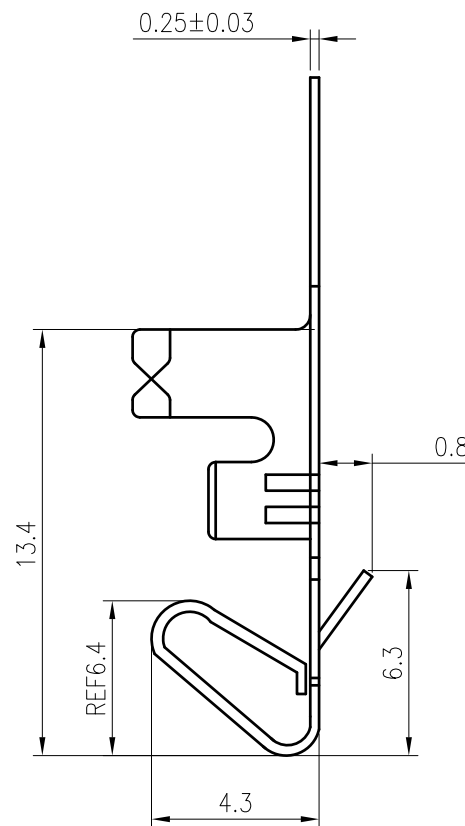
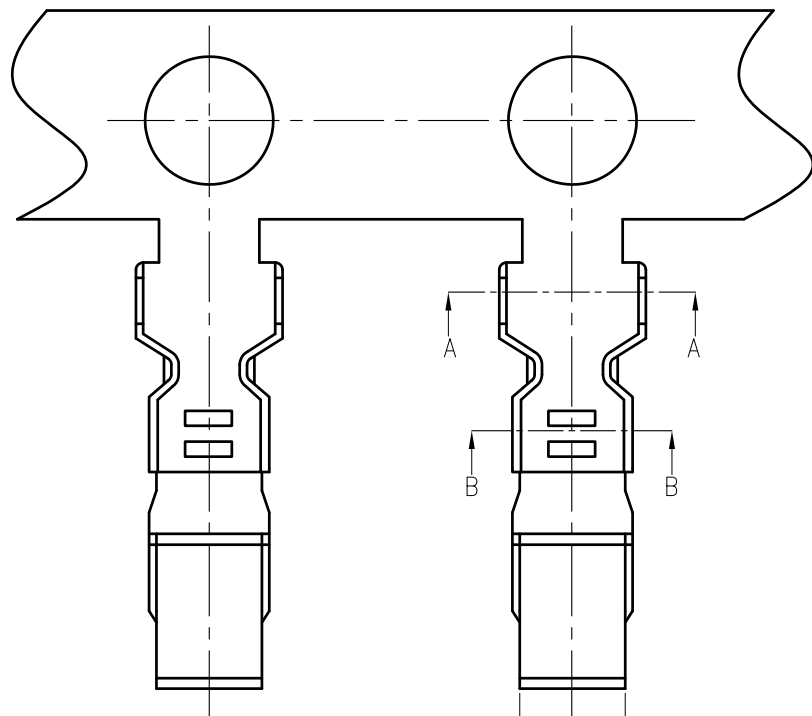
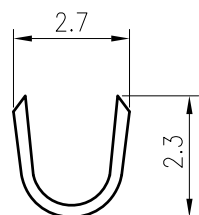


RoHS
COMPLIANT



SECTION A-A



SECTION B-B

SPECIFICATIONS

1. Current rating: 7A AC, DC
2. Voltage rating: 250V AC, DC
3. Temperature range: -40°C ~ +105°C
4. Insulation resistance: 1000MΩ/ min.
5. Withstanding voltage: 1500V AC/ minute.
6. Contact resistance: 20mΩ/ max.

Material: Phosphor Bronze or Brass

Finish: Tin plated over Nickel

Applicable wires:

AWG #18~#24

Insulation O.D.: 2.50mm Max.

Suitable KR3960 series Housing

Qty/reel: 6,000PCS

Ordering Code:

T39600 * T0101A

Material

P: Phosphor Bronze

B: Brass



Uniformly arrange the drawings

ZSZ

2022.1.8



Change the part number and frame format

Arvin

2020.05.07



MARK

REVISION DESCRIPTION

SIGNATURE

DATE

TOLERANCE

X.X ±0.30

X.XX ±0.20

X.XXX ±0.10

Angle ±2°

TITLE:
MX3.96 Terminal

UNIT:mm

SCALE:N/A

DRAWN: Arvin 2020.05.07

CHECKED:

APPROVED:

SHEET: 1/1

PROJECTION

KONNRA 东莞市康瑞电子有限公司
DongGuan Konnra Electronics Co.,Ltd.

PART NO.: T39600*T0101A

REV.: A3

DRAWING NO.: 3960T101-A-S