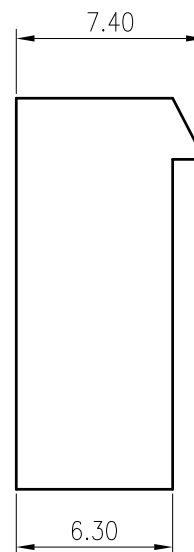
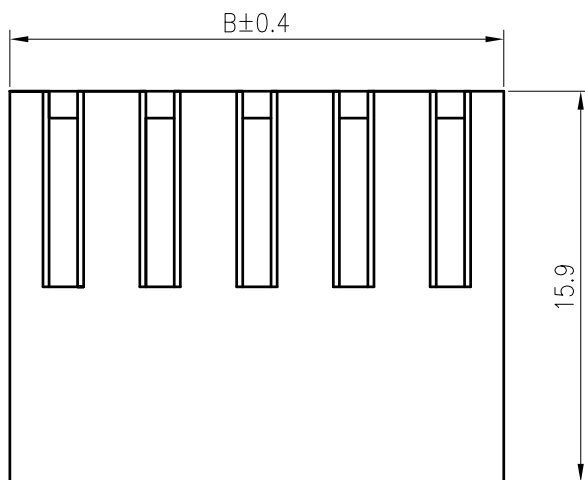
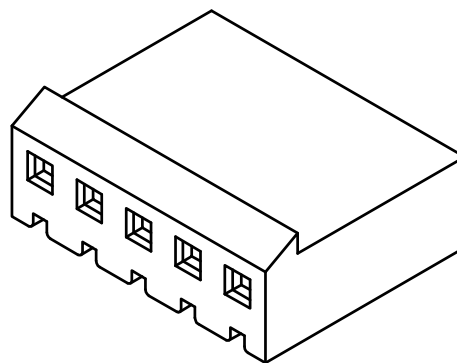
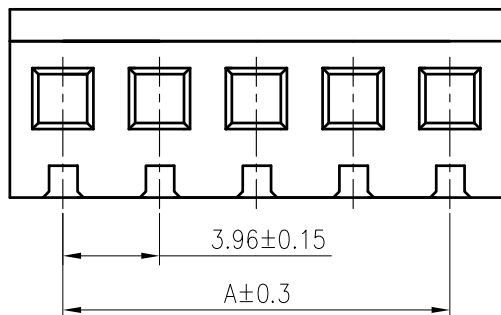


RoHS
COMPLIANT



SPECIFICATIONS

1. Current rating: 7A AC, DC
2. Voltage rating: 250V AC, DC
3. Temperature range: -40°C ~ +105°C
4. Insulation resistance: 1000MΩ/ min.
5. Withstanding voltage: 1500V AC/ minute.
6. Contact resistance: 20mΩ/ max.

Material: PA66 UL94 V-2
Suitable KR3960 series terminal
Mate with KR3960 series Wafer

Ordering Code:

H39600 xxx 16 01A

No. of Circuits
102:2, 116:16

Insulator Material
16: PA66 Transparent

| Circuits | Dimensions | | Circuits | Dimensions | |
|----------|------------|-------|----------|------------|-------|
| | A | B | | A | B |
| 2 | 3.96 | 8.42 | 8 | 27.72 | 32.18 |
| 3 | 7.92 | 12.38 | 9 | 31.68 | 36.14 |
| 4 | 11.88 | 16.34 | 10 | 35.64 | 40.10 |
| 5 | 15.84 | 20.30 | 11 | 39.60 | 44.06 |
| 6 | 19.80 | 24.26 | 12 | 43.56 | 48.02 |
| 7 | 23.76 | 28.22 | | | |



MARK

| REVISION | DESCRIPTION | SIGNATURE | DATE |
|----------|-------------|-----------|------|
| 1 | | | |
| 2 | | | |
| 3 | | | |

TOLERANCE
X.X ±0.30
X.XX ±0.20
X.XXX ±0.10
Angle ±2°

TITLE:
MX3.96 Housing

UNIT: mm SCALE: N/A

DRAWN: Arvin 2020.03.24

CHECKED:

APPROVED:

SHEET: 1/1

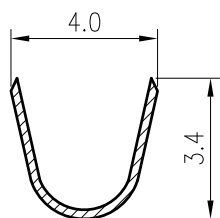
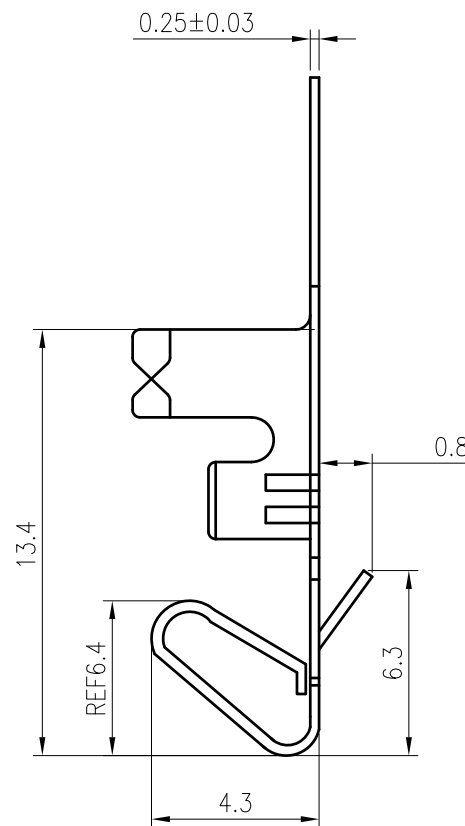
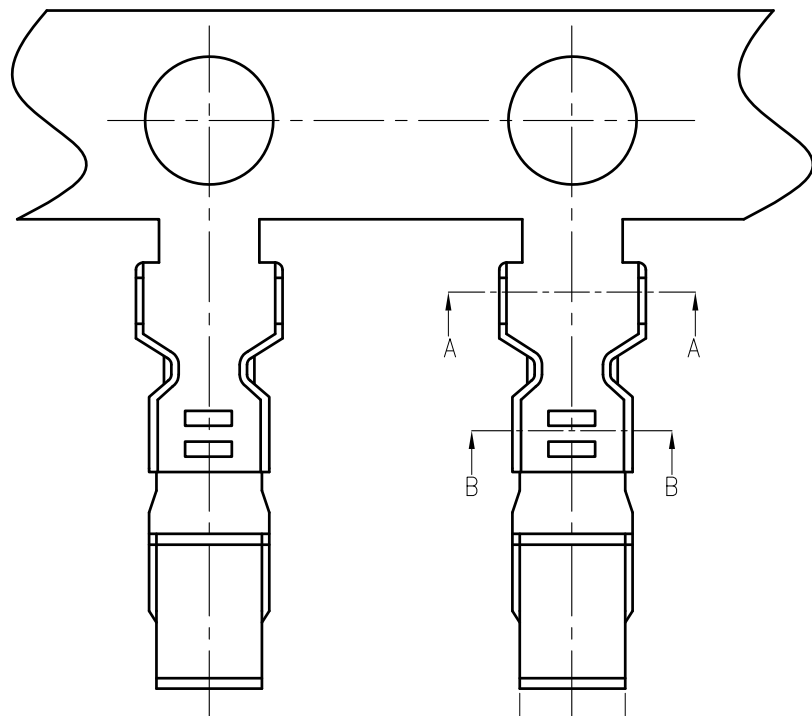
PROJECTION

KONNRA 东莞市康瑞电子有限公司
DongGuan Konnra Electronics Co., Ltd.

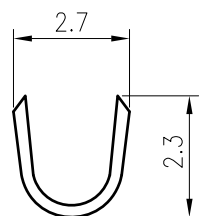
PART NO.: H39600xxx1601A

REV.: A3 DRAWING NO.: 3960H101-A-S

RoHS
COMPLIANT



SECTION A-A



SECTION B-B

SPECIFICATIONS

1. Current rating: 7A AC, DC
2. Voltage rating: 250V AC, DC
3. Temperature range: -40°C ~ +105°C
4. Insulation resistance: 1000MΩ/ min.
5. Withstanding voltage: 1500V AC/ minute.
6. Contact resistance: 20mΩ/ max.

Material: Phosphor Bronze or Brass

Finish: Tin plated over Nickel

Applicable wires:

AWG #18~#24

Insulation O.D.: 2.50mm Max.

Suitable KR3960 series Housing

Qty/reel: 6,000PCS

Ordering Code:

T39600 * T0101A

Material
P: Phosphor Bronze
B: Brass



Uniformly arrange the drawings

ZSZ

2022.1.8



Change the part number and frame format

Arvin

2020.05.07



MARK

REVISION DESCRIPTION

SIGNATURE

DATE

TOLERANCE

X.X ±0.30

X.XX ±0.20

X.XXX ±0.10

Angle ±2°

TITLE:

MX3.96 Terminal

DRAWN: Arvin 2020.05.07

CHECKED:

APPROVED:

UNIT:mm

SCALE:N/A

SHEET:1/1

PROJECTION

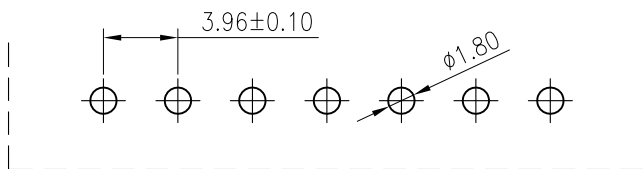
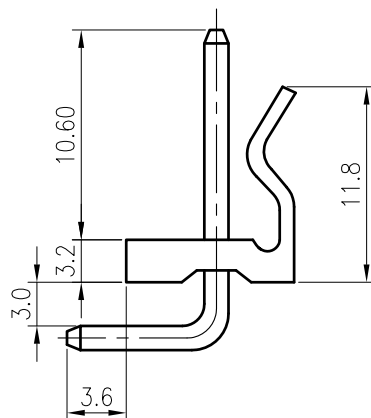
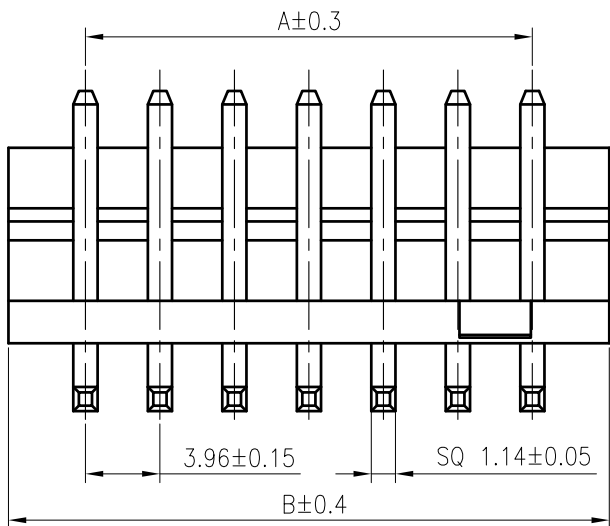
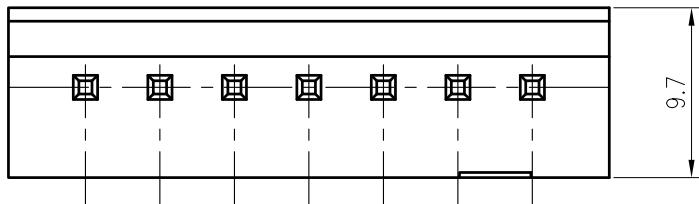
REV.:A3

DRAWING NO.:3960T101-A-S

KONNRA 东莞市康瑞电子有限公司
DongGuan Konnra Electronics Co.,Ltd.

PART NO.:T39600*T0101A

RoHS
COMPLIANT



Recommended P.C.B. Layout
Total tolerance:±0.05mm

SPECIFICATIONS

1. Current rating: 7A AC, DC
2. Voltage rating:250V AC,DC
3. Temperature range: -40°C ~ +105°C
4. Insulation resistance: 1000MΩ/ min.
5. Withstanding voltage: 1500V AC/ minute.
6. Contact resistance: 20mΩ/ max.

Material:

Insulator: PA66 UL94 V-2
Contact: Brass
Plating: Tin plated over Nickel
Mate With KR3960 Series Housing

Ordering Code:

C3960RD xxx 16 T01 01PA
No.of Circuits 102:2,112:12 Plating T01: Tin plated
Insulator Material 16:PA66 Transperent

| Circuits | Dimensions | | Circuits | Dimensions | |
|----------|------------|-------|----------|------------|-------|
| | A | B | | A | B |
| 2 | 3.96 | 7.92 | 8 | 27.72 | 31.68 |
| 3 | 7.92 | 11.88 | 9 | 31.68 | 35.64 |
| 4 | 11.88 | 15.84 | 10 | 35.64 | 39.60 |
| 5 | 15.84 | 19.80 | 11 | 39.60 | 43.56 |
| 6 | 19.80 | 23.76 | 12 | 43.56 | 47.52 |
| 7 | 23.76 | 27.72 | | | |



MARK

Uniformly arrange the drawings

Change the part number and frame format

REVISION DESCRIPTION

Arvin 2021.12.24

Arvin 2020.05.07

SIGNATURE

2021.12.24

2020.05.07

DATE

TOLERANCE
X.X ±0.30
X.XX ±0.20
X.XXX ±0.10
Angle ±2°

TITLE:
MX3.96 DIP 90°
Wafer curved back

UNIT:mm SCALE:N/A

DRAWN: Arvin 2020.05.07

CHECKED:

APPROVED:

SHEET:1/1

PROJECTION

KONNRA 东莞市康瑞电子有限公司
DongGuan Konnra Electronics Co.,Ltd.

PART NO.:C3960RDxxx16T0101PA

REV.:A3 DRAWING NO.:3960WRD101-A-S

1

2

3

4

5

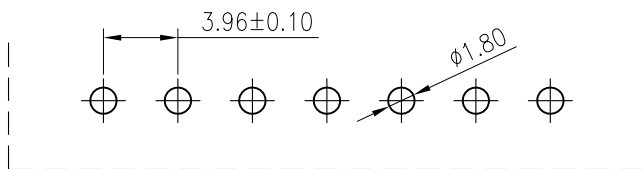
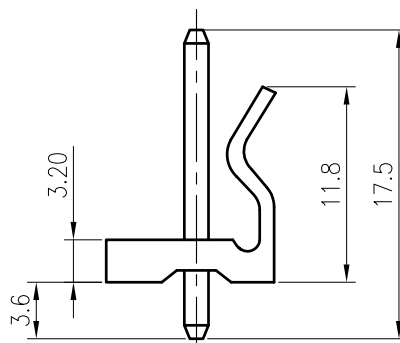
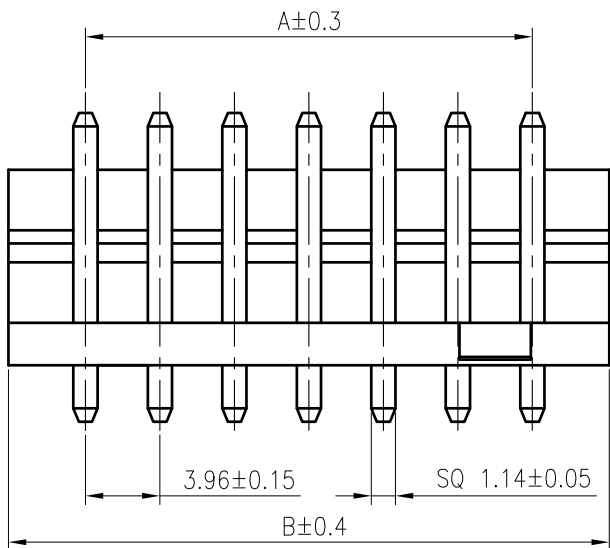
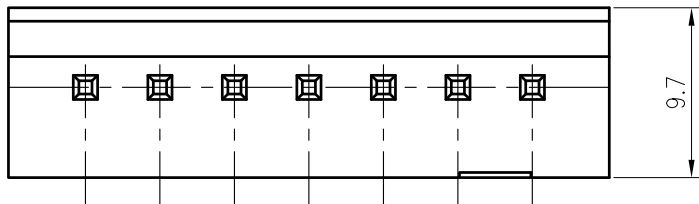
6

7

8

9

RoHS
COMPLIANT



Recommended P.C.B. Layout
Total tolerance:±0.05mm

SPECIFICATIONS

1. Current rating: 7A AC, DC
2. Voltage rating:250V AC,DC
3. Temperature range: -40°C ~ +105°C
4. Insulation resistance: 1000MΩ/ min.
5. Withstanding voltage: 1500V AC/ minute.
6. Contact resistance: 20mΩ/ max.

Material:

Insulator: PA66 UL94 V-2
Contact: Brass
Plating: Tin plated over Nickel
Mate With KR3960 Series Housing

Ordering Code:

C3960VD xxx 16 T01 01PA
No.of Circuits 102:2,112:12
Insulator Material 16:PA66 Transparent
Plating T01: Tin plated

| Circuits | Dimensions | | Circuits | Dimensions | |
|----------|------------|-------|----------|------------|-------|
| | A | B | | A | B |
| 2 | 3.96 | 7.92 | 8 | 27.72 | 31.68 |
| 3 | 7.92 | 11.88 | 9 | 31.68 | 35.64 |
| 4 | 11.88 | 15.84 | 10 | 35.64 | 39.60 |
| 5 | 15.84 | 19.80 | 11 | 39.60 | 43.56 |
| 6 | 19.80 | 23.76 | 12 | 43.56 | 47.52 |
| 7 | 23.76 | 27.72 | | | |



MARK

Uniformly arrange the drawings

Change the part number and frame format

REVISION DESCRIPTION

Arvin

Arvin

SIGNATURE

2021.12.24

2020.05.07

DATE

TOLERANCE

X.X ±0.30
X.XX ±0.20
X.XXX ±0.10
Angle ±2°

TITLE:
MX3.96 DIP 180°
Wafercurved back

UNIT:mm SCALE:N/A

DRAWN: Arvin 2020.05.07

CHECKED:

APPROVED:

SHEET:1/1

PROJECTION

KONNRA 东莞市康瑞电子有限公司
DongGuan Konnra Electronics Co.,Ltd.

PART NO.:C3960VDxxx16T0101PA

REV.:A3 DRAWING NO.:3960WVD101-A-S

1

2

3

4

5

6

7

8

9