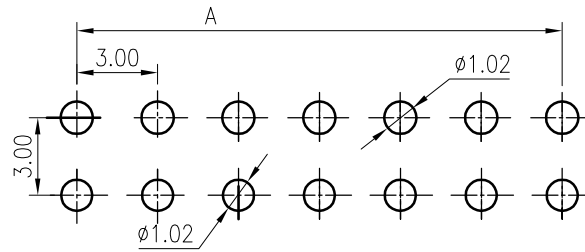
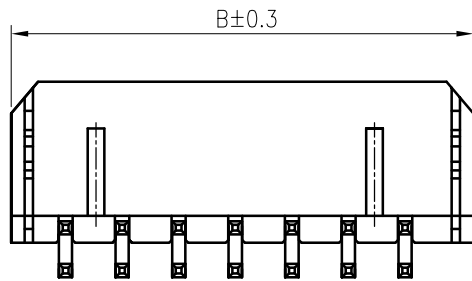
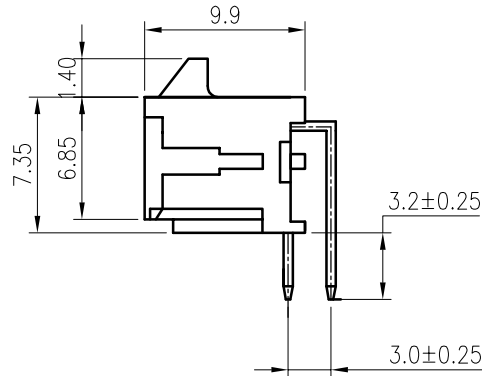
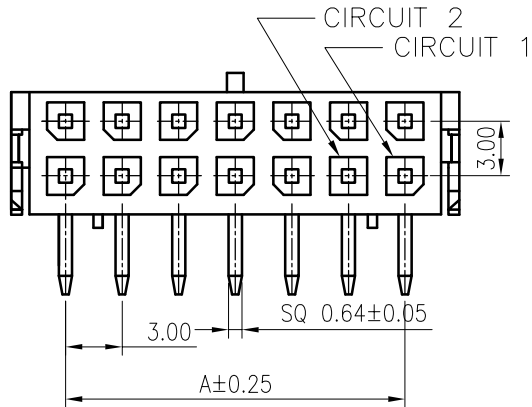


RoHS
COMPLIANT



Recommended P.C.B. Layout
Total tolerance:±0.05mm

SPECIFICATIONS

1. Current rating: 5A AC, DC
2. Voltage rating: 250V AC,DC
3. Temperature range: -40°C ~ +105°C
4. Insulation resistance: 1000MΩ Min.
5. Withstanding voltage: 1500V AC/ minute.
6. Contact resistance: 10mΩ Max.

Material:

Insulator: LCP UL 94V-0
Contact: Brass/Tin plated over nickel

Circuits: 2*1~2*12

Mate with KR3000 series dual row housing

Ordering Code:

AA C3000RD *** ** T0104 R A

No. of Circuits
202:2x1P,
202:2x2P.....
Insulator Material
14:LCP Black

Packing
R: Reel Tape
P: Bag
B: Box

PIN NO.	DIMENSIONS	
	A	B
2*1P	--	6.65
2*2P	3.00	9.65
2*3P	6.00	12.65
2*4P	9.00	15.65
2*5P	12.00	18.65
2*6P	15.00	21.65
2*7P	18.00	24.65
2*8P	21.00	27.65
2*9P	24.00	30.65
2*10P	27.00	33.65
2*11P	30.00	36.65
2*12P	33.00	39.65

MARK	REVISION	DESCRIPTION	SIGNATURE	DATE	TOLERANCE	TITLE:	DRAWN:	KONNRA 东莞市康瑞电子有限公司 DongGuan Konnra Electronics Co., Ltd.			
A4					X. X ±0.30	MX3.0 DIP 90° Wafer Without Pillar Dual Row	ru yi 2020.03.10	PART NO. : C3000RD2**14T0104*A			
A3	1	Uniformly arrange the drawings	Arvin	2021.09.24	X. XX ±0.20		CHECKED:				
A2	2	Change the part number and frame format	Ru yi	2020.3.10	X. XXX ±0.10		APPROVED:				
					Angle ±2°	UNIT: mm	SCALE: N/A	SHEET: 1/1	PROJECTION	REV. : A3	DRAWING NO. : 3000WRD204-A-S