

RoHS
COMPLIANT

SPECIFICATIONS

1. Current rating: 3A AC, DC
2. Voltage rating: 250V AC,DC
3. Temperature range: -40°C ~ +105°C
4. Insulation resistance: 1000MΩ Min.
5. Withstanding voltage: 1000V AC/ minute.
6. Contact resistance: 20mΩ Max.

Material:

Insulator: Nylon/PBT UL 94V-0
Contact: Brass
Plating: Tin plated over Nickel
Mate with KR2546 series Housing

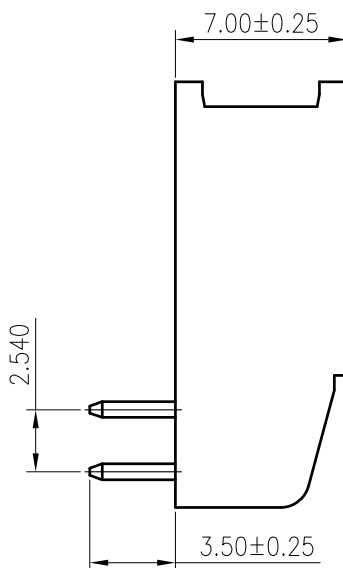
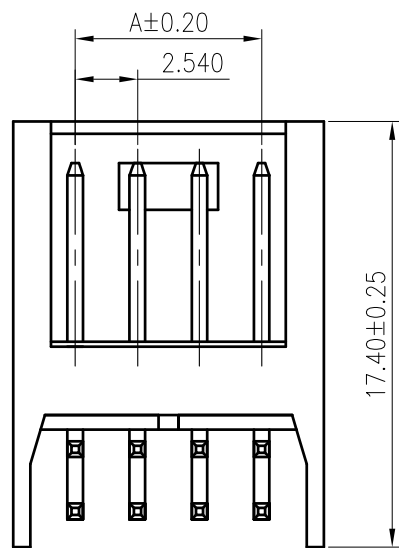
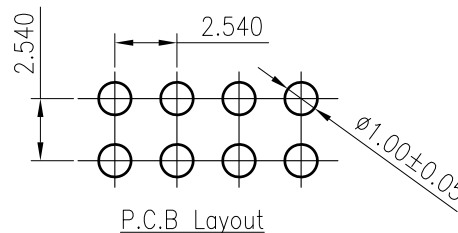
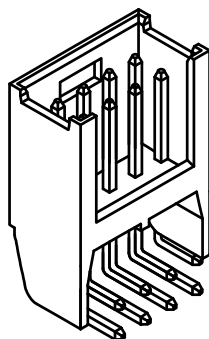
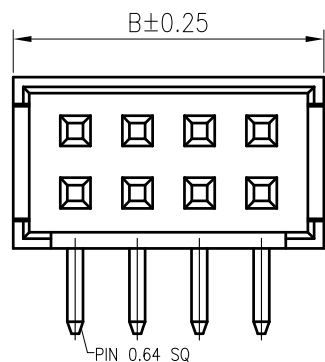
Ordering Code:

C2546RD *** 05 T01 01 PB

No.of Circuits

202:2*2,232:2*32

| Circuits | Dimensions | | Circuits | Dimensions | |
|----------|------------|-------|----------|------------|-------|
| | A | B | | A | B |
| 2x2 | 2.54 | 7.46 | 2x18 | 43.18 | 48.10 |
| 2x3 | 5.08 | 10.00 | 2x19 | 45.72 | 50.64 |
| 2x4 | 7.62 | 12.54 | 2x20 | 48.26 | 53.18 |
| 2x5 | 10.16 | 15.08 | 2x21 | 50.80 | 55.72 |
| 2x6 | 12.70 | 17.62 | 2x22 | 53.34 | 58.26 |
| 2x7 | 15.24 | 20.16 | 2x23 | 55.88 | 60.80 |
| 2x8 | 17.78 | 22.70 | 2x24 | 58.42 | 63.34 |
| 2x9 | 20.32 | 25.24 | 2x25 | 60.96 | 65.88 |
| 2x10 | 22.86 | 27.78 | 2x26 | 63.50 | 68.42 |
| 2x11 | 25.40 | 30.32 | 2x27 | 66.04 | 70.96 |
| 2x12 | 27.94 | 32.86 | 2x28 | 68.58 | 73.50 |
| 2x13 | 30.48 | 35.40 | 2x29 | 71.12 | 76.04 |
| 2x14 | 33.02 | 37.94 | 2x30 | 73.66 | 78.58 |
| 2x15 | 35.56 | 40.48 | 2x31 | 76.20 | 81.12 |
| 2x16 | 38.10 | 43.02 | 2x32 | 78.74 | 83.66 |
| 2x17 | 40.64 | 45.56 | | | |



Uniformly arrange the drawings

LJT

2020.05.20

TOLERANCE
X.X ±0.30
X.XX ±0.20
X.XXX ±0.10
Angle ±2°

TITLE:
2.54 Pitch DIP 90°
Dual Row Wafer

DRAWN: Liujingtian 2020.5.20

CHECKED:

APPROVED:

KONNRA 东莞市康瑞电子有限公司
DongGuan Konnra Electronics Co.,Ltd.

PART NO.: C2546RD***05T0101PB

MARK

REVISION DESCRIPTION

SIGNATURE

DATE

UNIT:mm

SCALE:N/A

SHEET:1/1

PROJECTION

REV.:A2

DRAWING NO.: 2546WRD201-B-S

1

2

3

4

5

6

7

8

9