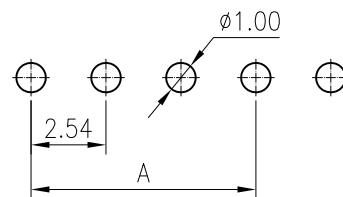
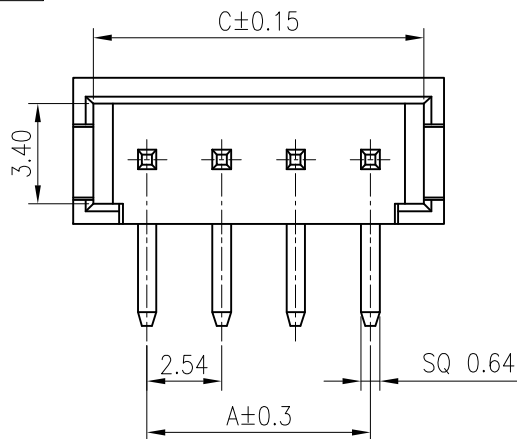
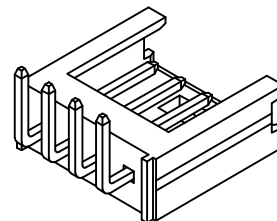


**RoHS**  
COMPLIANT



P.C.B LAYOUT



**SPECIFICATIONS**

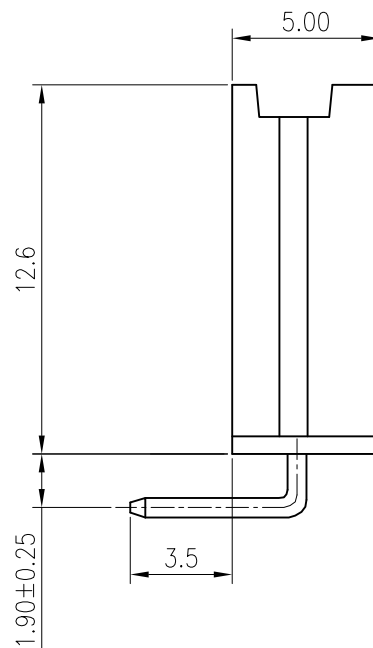
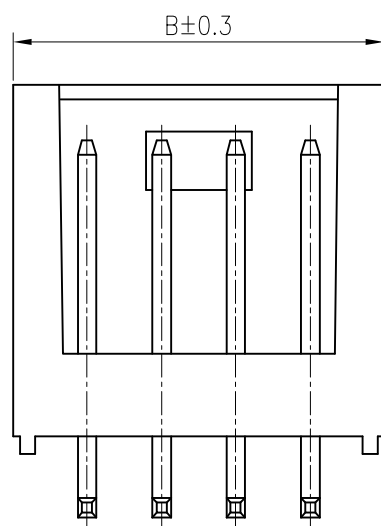
Current rating: 3A AC, DC.  
Voltage rating: 250V AC, DC.  
Temperature range: -40°C ~ +105°C.  
Insulation resistance: 1000MΩ/ min.  
Withstanding voltage: 1000V AC/ minute.  
Contact resistance: 20mΩ/ max.

**MATERIAL:**

Insulator: PA46 UL94V-0  
Contact: BRASS /TIN-PLATED  
MATES WITH KR2546 SERIES HOUSING

PART NO: C2546RD1\*\*08T0101PA

02: 2P  
12: 12P  
08: PA46 Black  
T01: Bright Tin  
P: Bag



PIN NO.	A	B	C
02	2.54	7.62	5.92
03	5.08	10.16	8.46
04	7.62	12.70	11.00
05	10.16	15.24	13.54
06	12.70	17.78	16.08
07	15.24	20.32	18.62
08	17.78	22.86	21.16
09	20.32	25.40	23.70
10	22.86	27.94	26.24
11	25.40	30.48	28.78
12	27.94	33.02	31.32

A3

A2

A1

MARK

REVISION	DESCRIPTION	SIGNATURE	DATE
1			
2			
3			

TOLERANCE  
X.X ±0.20  
X.XX ±0.10  
X.XXX ±0.05  
Angle ±2°

TITLE:  
2.54mm Pitch 90°  
Wafer

UNIT:mm SCALE: 1/1

DRAWN: Shen 2021.09.22  
CHECKED:  
APPROVED:

SHEET: 1/1 PROJECTION

**KONNRA** 东莞市康瑞电子有限公司  
DongGuan Konnra Electronics Co.,Ltd.  
PART NO.: C2546RD1\*\*08T0101PA  
REV.: A2 DRAWING NO.: 2546WVD01-A-S