

RoHS
COMPLIANT

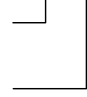

SPECIFICATIONS

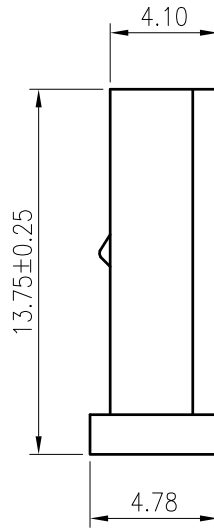
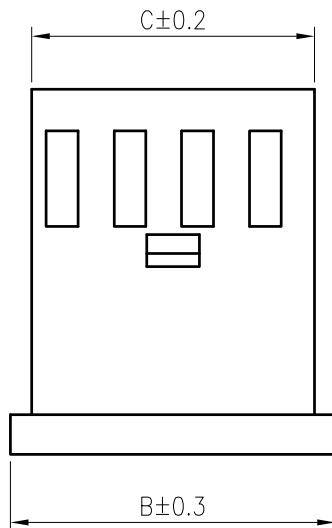
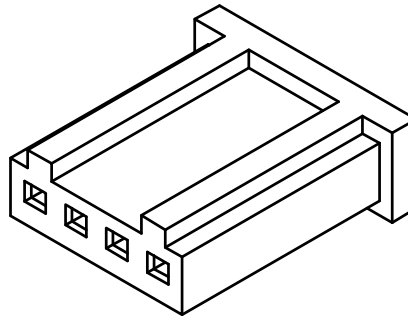
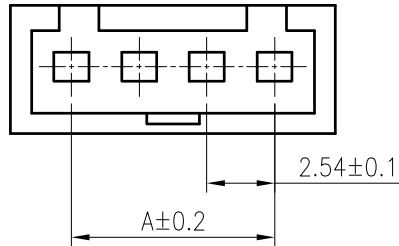
1. Current rating: 3A AC, DC
2. Voltage rating: 250V AC,DC
3. Temperature range: -40°C ~ +105°C
4. Insulation resistance: 1000MΩ Min.
5. Withstanding voltage: 1000V AC/ minute.
6. Contact resistance: 20mΩ Max.

Material: PBT UL 94V-0
Suitable KR2546 series terminal
Mate with KR2546 series wafer

Ordering Code:

H25460 *** 05 01A

No. of Circuits 
102:2,122:22
Insulator Material 
05:PBT Black V0



Circuits	Dimensions			Circuits	Dimensions		
	A	B	C		A	B	C
2	2.54	7.20	5.60	13	30.48	35.14	33.54
3	5.08	9.74	8.14	14	33.02	37.68	36.08
4	7.62	12.28	10.68	15	35.56	40.22	38.62
5	10.16	14.82	13.22	16	38.10	42.76	41.16
6	12.70	17.36	15.76	17	40.64	45.30	43.70
7	15.24	19.90	18.30	18	43.18	47.84	46.24
8	17.78	22.44	20.84	19	45.72	50.38	48.78
9	20.32	24.98	23.38	20	48.26	52.92	51.32
10	22.86	27.52	25.92	21	50.80	55.46	53.86
11	25.40	30.06	28.46	22	53.34	58.00	56.40
12	27.94	32.60	31.00				

F					TOLERANCE	TITLE: 2.54 Pitch Single Row Housing	DRAWN: Liujingtian 2020.5.20		KONNRA 东莞市康瑞电子有限公司	
					X.X ±0.30		CHECKED:		DongGuan Konnra Electronics Co.,Ltd.	
		Uniformly arrange the drawings	LJT	2020.05.20	X.XX ±0.20		APPROVED:		PART NO.: H25460***0501A	
MARK	REVISION DESCRIPTION	SIGNATURE	DATE	X.XXX ±0.10	UNIT:mm	SCALE:N/A	SHEET:1/1	PROJECTION	REV.:A2	DRAWING NO.:2546H101-A-S
	1	2	3	4	5	6	7	8	9	

RoHS
COMPLIANT

SPECIFICATIONS

1. Current rating: 3A AC, DC
2. Voltage rating: 250V AC,DC
3. Temperature range: -40°C ~ +105°C
4. Insulation resistance: 1000MΩ Min.
5. Withstanding voltage: 1000V AC/ minute.
6. Contact resistance: 20mΩ Max.

Material: PBT UL 94V-0
Suitable KR2546 series terminal
Mate with KR2546 series wafer

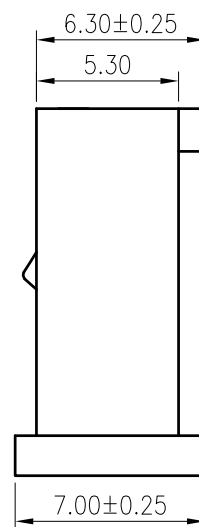
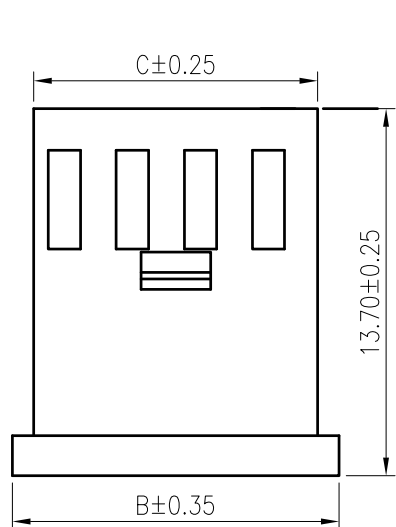
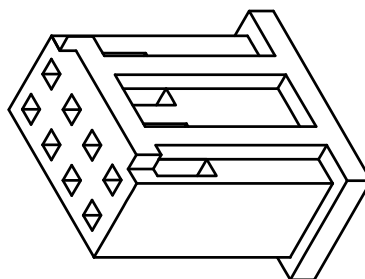
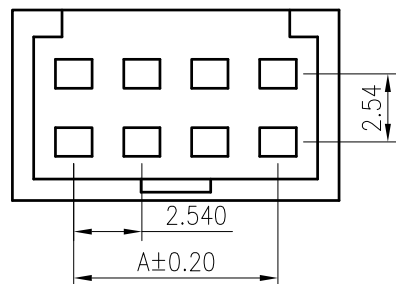
Ordering Code:

H25460 *** 05 01A

No.of Circuits

202:2*2,232:2*32

Insulator Material
05:PBT Black V0



Circuits	Dimensions			Circuits	Dimensions		
	A	B	C		A	B	C
2x2	2.54	7.12	5.52	2x13	30.48	35.06	33.46
2x3	5.08	9.66	8.06	2x14	33.02	37.60	36.00
2x4	7.62	12.20	10.60	2x15	35.56	40.14	38.54
2x5	10.16	14.74	13.14	2x16	38.10	42.68	41.08
2x6	12.70	17.28	15.70	2x17	40.64	45.22	43.62
2x7	15.24	19.82	18.22	2x18	43.18	47.76	46.16
2x8	17.78	22.36	20.76	2x19	45.72	50.30	48.70
2x9	20.32	24.90	23.30	2x20	48.26	52.84	51.24
2x10	22.86	27.44	25.84	2x21	50.80	55.38	53.78
2x11	25.40	29.98	28.38	2x32	78.74	83.32	81.72
2x12	27.94	32.52	30.92				



Uniformly arrange the drawings

LJT

2020.05.20

TOLERANCE
X.X ±0.30
X.XX ±0.20
X.XXX ±0.10
Angle ±2°

TITLE:
2.54 Pitch Dual Row
Housing

DRAWN: Liujingtian 2020.5.20

CHECKED:

APPROVED:

KONNRA 东莞市康瑞电子有限公司
DongGuan Konnra Electronics Co.,Ltd.

PART NO.: H25460***0501A

MARK

REVISION DESCRIPTION

SIGNATURE

DATE

UNIT:mm

SCALE:N/A

SHEET:1/1

PROJECTION

REV.:A2

DRAWING NO.:2546H201-A-S

1

2

3

4

5

6

7

8

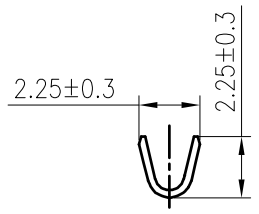
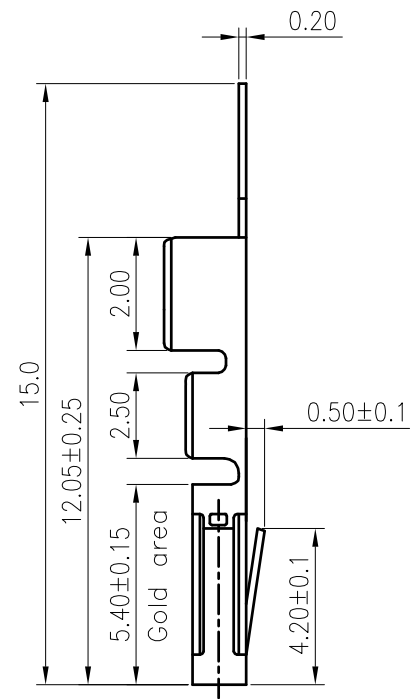
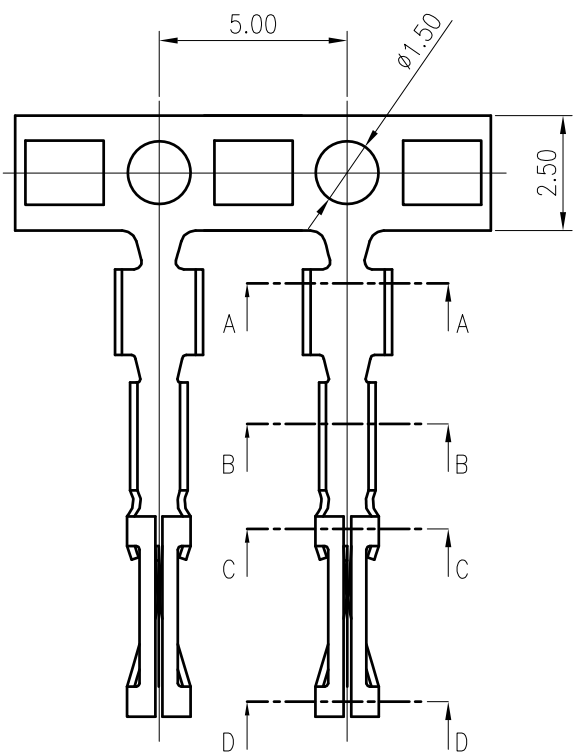
9

RoHS
COMPLIANT

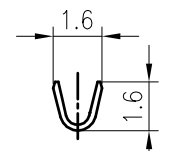
- SPECIFICATIONS**
1. Current rating: 3A AC, DC
 2. Voltage rating: 250V AC,DC
 3. Temperature range: -40°C ~ +105°C
 4. Insulation resistance: 1000MΩ Min.
 5. Withstanding voltage: 1000V AC/ minute.
 6. Contact resistance: 20mΩ Max.

Applicable Wires:
AWG#22~#26
Insulation O.D. : 1.55mm MAX

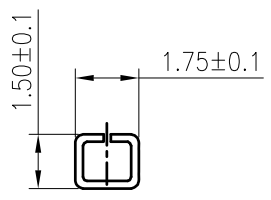
Material: Phosphor Bronze
Plating: Tin plated over nickel
Suitable KR2546 series housing
Q'ty/reel: 15,000 PCS



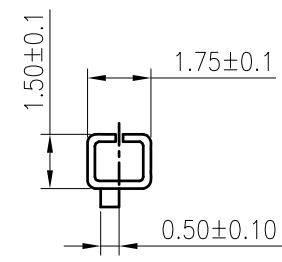
SECTION A-A



SECTION B-B



SECTION C-C



SECTION D-D

F					TOLERANCE	TITLE: 2.54 Pitch Terminal Single Row	DRAWN: Liujingtian 2020.5.20		KONNRA 东莞市康瑞电子有限公司 DongGuan Konnra Electronics Co.,Ltd.			
					X.X ±0.30		CHECKED:					
		Uniformly arrange the drawings	LJT	2020.05.20	X.XX ±0.20		APPROVED:			PART NO.: T2546FPT0101A		
MARK	REVISION DESCRIPTION	SIGNATURE	DATE	X.XXX ±0.10	Angle ±2°	UNIT:mm	SCALE:N/A	SHEET:1/1	PROJECTION	REV.:A2	DRAWING NO.:2546T101-A-S	
1	2	3	4	5	6	7	8	9				

RoHS
COMPLIANT

SPECIFICATIONS

1. Current rating: 3A AC, DC
2. Voltage rating: 250V AC,DC
3. Temperature range: -40°C ~ +105°C
4. Insulation resistance: 1000MΩ Min.
5. Withstanding voltage: 1000V AC/ minute.
6. Contact resistance: 20mΩ Max.

Material:

Insulator: Nylon/PBT UL 94V-0
Contact: Brass
Plating: Tin plated over Nickel
Mate with KR2546 series Housing

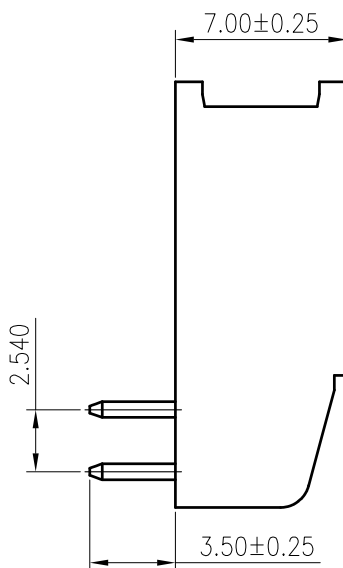
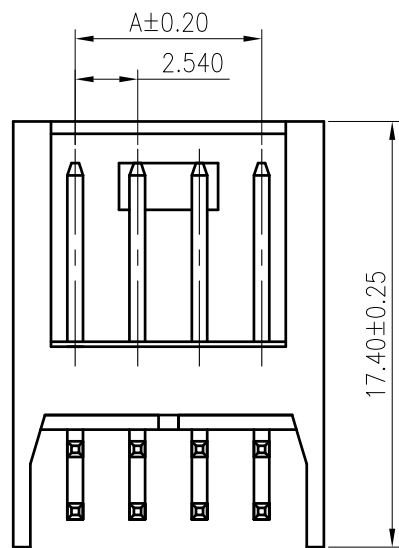
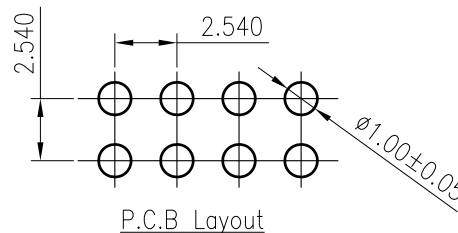
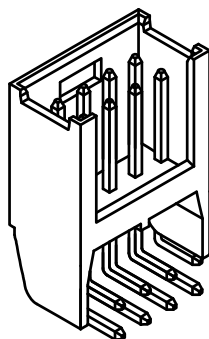
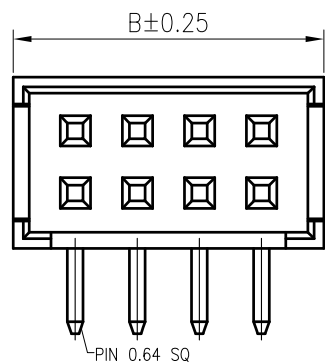
Ordering Code:

C2546RD *** 05 T01 01 PB

No.of Circuits

202:2*2,232:2*32

Circuits	Dimensions		Circuits	Dimensions	
	A	B		A	B
2x2	2.54	7.46	2x18	43.18	48.10
2x3	5.08	10.00	2x19	45.72	50.64
2x4	7.62	12.54	2x20	48.26	53.18
2x5	10.16	15.08	2x21	50.80	55.72
2x6	12.70	17.62	2x22	53.34	58.26
2x7	15.24	20.16	2x23	55.88	60.80
2x8	17.78	22.70	2x24	58.42	63.34
2x9	20.32	25.24	2x25	60.96	65.88
2x10	22.86	27.78	2x26	63.50	68.42
2x11	25.40	30.32	2x27	66.04	70.96
2x12	27.94	32.86	2x28	68.58	73.50
2x13	30.48	35.40	2x29	71.12	76.04
2x14	33.02	37.94	2x30	73.66	78.58
2x15	35.56	40.48	2x31	76.20	81.12
2x16	38.10	43.02	2x32	78.74	83.66
2x17	40.64	45.56			



Uniformly arrange the drawings

LJT

2020.05.20

TOLERANCE
X.X ±0.30
X.XX ±0.20
X.XXX ±0.10
Angle ±2°

TITLE:
2.54 Pitch DIP 90°
Dual Row Wafer

DRAWN: Liujingtian 2020.5.20

CHECKED:

APPROVED:

KONNRA 东莞市康瑞电子有限公司
DongGuan Konnra Electronics Co.,Ltd.

PART NO.: C2546RD***05T0101PB

MARK

REVISION DESCRIPTION

SIGNATURE

DATE

UNIT:mm

SCALE:N/A

SHEET:1/1

PROJECTION

REV.:A2

DRAWING NO.:2546WRD201-B-S

1

2

3

4

5

6

7

8

9

RoHS
COMPLIANT

SPECIFICATIONS

1. Current rating: 3A AC, DC
2. Voltage rating: 250V AC,DC
3. Temperature range: -40°C ~ +105°C
4. Insulation resistance: 1000MΩ Min.
5. Withstanding voltage: 1000V AC/ minute.
6. Contact resistance: 20mΩ Max.

Material:

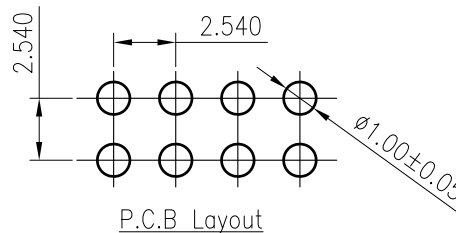
Insulator: Nylon/PBT UL 94V-0
Contact: Brass
Plating: Tin plated over Nickel
Mate with KR2546 series Housing

Ordering Code:

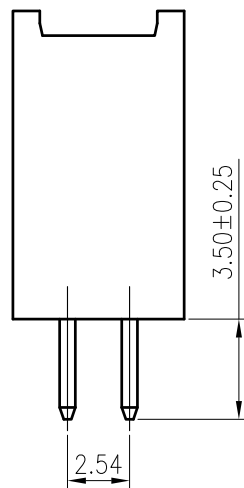
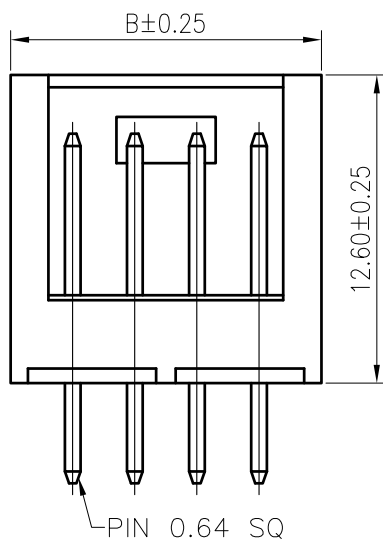
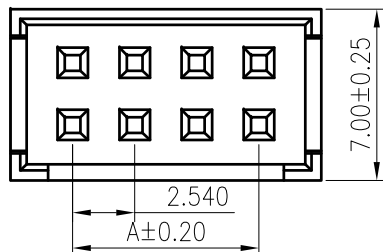
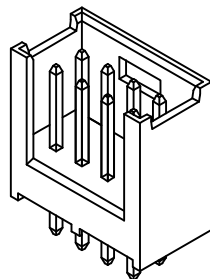
C2546VD *** 05 T01 01 PB

No.of Circuits

202:2*2,232:2*32



P.C.B Layout



Circuits	Dimensions		Circuits	Dimensions	
	A	B		A	B
2x2	2.54	7.46	2x18	43.18	48.10
2x3	5.08	10.00	2x19	45.72	50.64
2x4	7.62	12.54	2x20	48.26	53.18
2x5	10.16	15.08	2x21	50.80	55.72
2x6	12.70	17.62	2x22	53.34	58.26
2x7	15.24	20.16	2x23	55.88	60.80
2x8	17.78	22.70	2x24	58.42	63.34
2x9	20.32	25.24	2x25	60.96	65.88
2x10	22.86	27.78	2x26	63.50	68.42
2x11	25.40	30.32	2x27	66.04	70.96
2x12	27.94	32.86	2x28	68.58	73.50
2x13	30.48	35.40	2x29	71.12	76.04
2x14	33.02	37.94	2x30	73.66	78.58
2x15	35.56	40.48	2x31	76.20	81.12
2x16	38.10	43.02	2x32	78.74	83.66
2x17	40.64	45.56			



Uniformly arrange the drawings

LJT

2020.05.20

TOLERANCE
X.X ±0.30
X.XX ±0.20
X.XXX ±0.10
Angle ±2°

TITLE:
2.54 Pitch DIP 180°
Dual Row Wafer

DRAWN: Liujingtian 2020.5.20

CHECKED:

APPROVED:

KONNRA 东莞市康瑞电子有限公司
DongGuan Konnra Electronics Co.,Ltd.

PART NO.: C2546VD***05T0101PB

MARK

REVISION DESCRIPTION

SIGNATURE

DATE

UNIT:mm

SCALE:N/A

SHEET:1/1

PROJECTION

REV.:A2

DRAWING NO.:2546WVD201-B-S

1

2

3

4

5

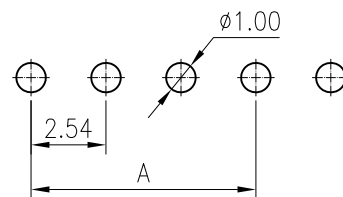
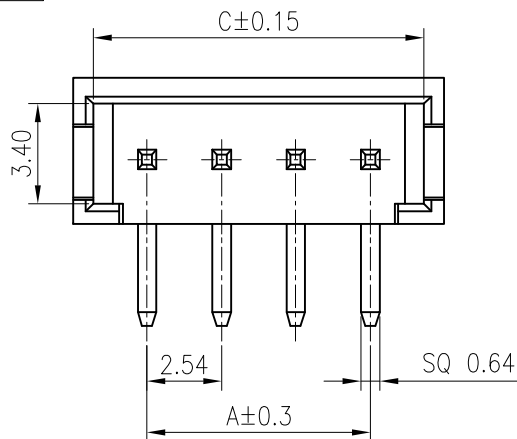
6

7

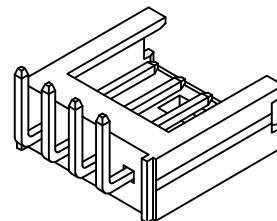
8

9

RoHS
COMPLIANT



P.C.B LAYOUT



SPECIFICATIONS

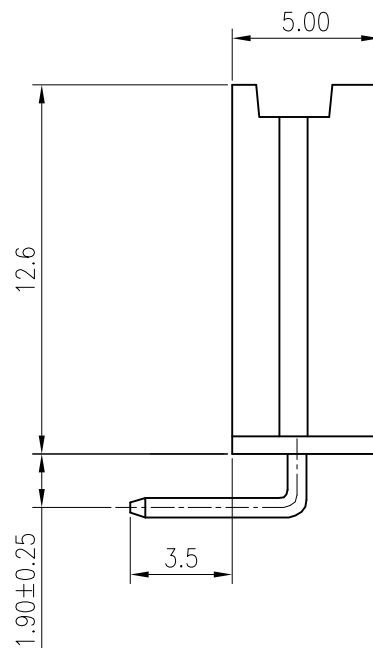
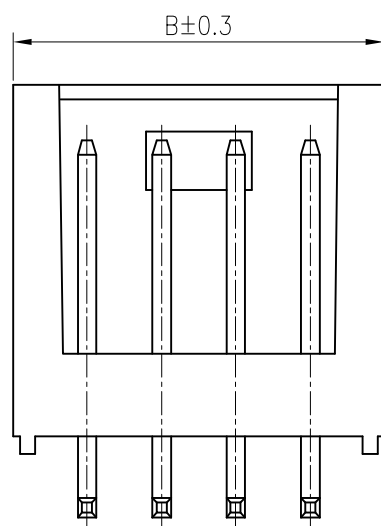
Current rating: 3A AC, DC.
Voltage rating: 250V AC, DC.
Temperature range: -40°C ~ +105°C.
Insulation resistance: 1000MΩ/ min.
Withstanding voltage: 1000V AC/ minute.
Contact resistance: 20mΩ/ max.

MATERIAL:

Insulator: PA46 UL94V-0
Contact: BRASS /TIN-PLATED
MATES WITH KR2546 SERIES HOUSING

PART NO: C2546RD1**08T0101PA

02: 2P
12: 12P
08: PA46 Black
T01: Bright Tin
P: Bag



PIN NO.	A	B	C
02	2.54	7.62	5.92
03	5.08	10.16	8.46
04	7.62	12.70	11.00
05	10.16	15.24	13.54
06	12.70	17.78	16.08
07	15.24	20.32	18.62
08	17.78	22.86	21.16
09	20.32	25.40	23.70
10	22.86	27.94	26.24
11	25.40	30.48	28.78
12	27.94	33.02	31.32

A3

A2

A1

MARK

REVISION	DESCRIPTION	SIGNATURE	DATE
1			
2			
3			

TOLERANCE
X.X ±0.20
X.XX ±0.10
X.XXX ±0.05
Angle ±2°

TITLE:
2.54mm Pitch 90°
Wafer

UNIT:mm SCALE:1/1

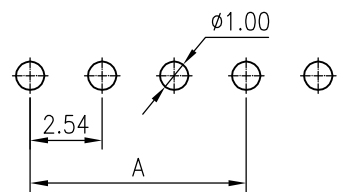
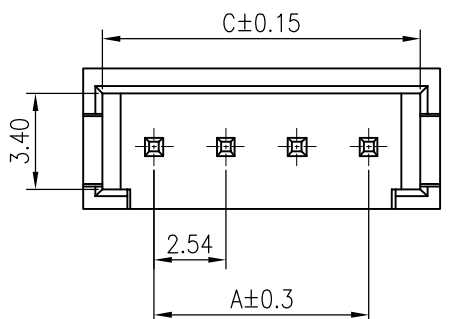
DRAWN: Shen 2021.09.22
CHECKED:
APPROVED:

SHEET:1/1 PROJECTION

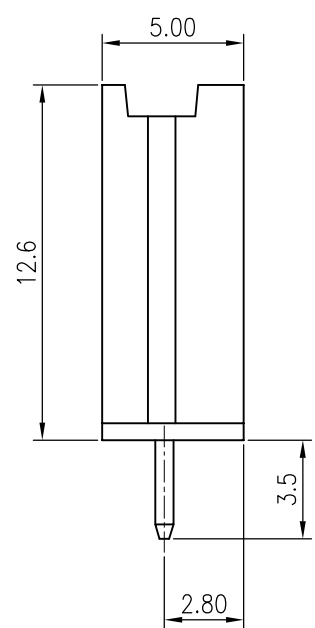
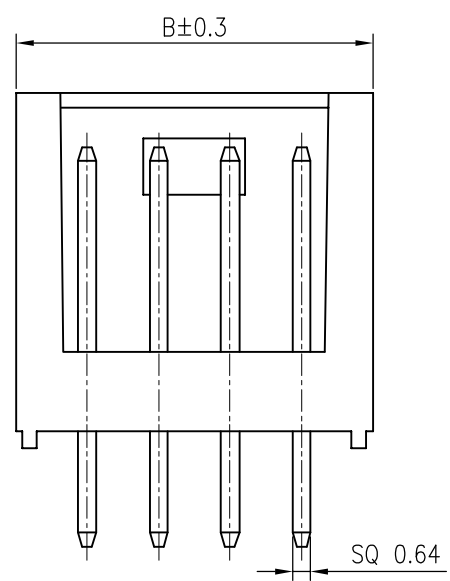
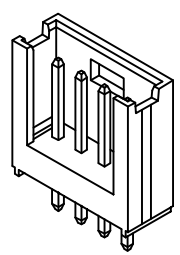
KONNRA 东莞市康瑞电子有限公司
DongGuan Konnra Electronics Co.,Ltd.
PART NO.: C2546RD1**08T0101PA

REV.: A2 DRAWING NO.: 2546WVD01-A-S

RoHS
COMPLIANT



P.C.B LAYOUT




SPECIFICATIONS

Current rating: 3A AC, DC.
Voltage rating: 250V AC, DC.
Temperature range: -40°C ~ +105°C.
Insulation resistance: 1000MΩ/ min.
Withstanding voltage: 1000V AC/ minute.
Contact resistance: 20mΩ/ max.





MATERIAL:

Insulator: PA46 UL94V-0
Contact: BRASS /TIN-PLATED

MATES WITH KR2546 SERIES HOUSING

PART NO: C2546VD1**08T0101PA 
02: 2P
12: 12P
08: PA46黑色
T01: 亮锡
P: 袋装

PIN NO.	A	B	C
02	2.54	7.62	5.92
03	5.08	10.16	8.46
04	7.62	12.70	11.00
05	10.16	15.24	13.54
06	12.70	17.78	16.08
07	15.24	20.32	18.62
08	17.78	22.86	21.16
09	20.32	25.40	23.70
10	22.86	27.94	26.24
11	25.40	30.48	28.78
12	27.94	33.02	31.32

F					TOLERANCE X. X ±0.20 X. XX ±0.10 X. XXX ±0.05 Angle ±2°	TITLE: 2.54mm Pitch 180° Wafer	DRAWN: ru yi 2020.03.10		KONNRA 东莞市康瑞电子有限公司 DongGuan Konnra Electronics Co., Ltd.	
							CHECKED:		PART NO.: C2546VD1**08T0101PA	
		更改料号及图框格式	Ru yi	2020.3.10	APPROVED:		REV.: A1		DRAWING NO.: 2546WDD01-A-S	
	MARK	REVISION DESCRIPTION	SIGNATURE	DATE	UNIT: mm	SCALE: N/A	SHEET: 1/1	PROJECTION 		
1	2	3	4	5	6	7	8	9		