

RoHS
COMPLIANT

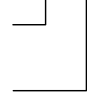

SPECIFICATIONS

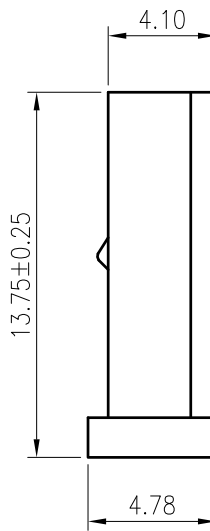
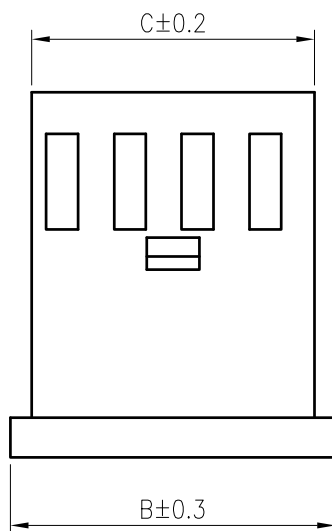
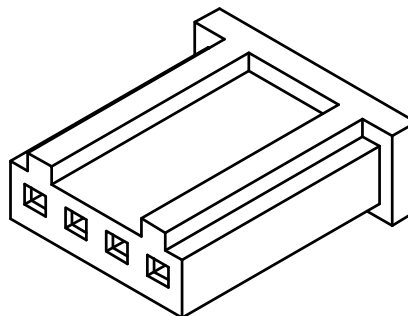
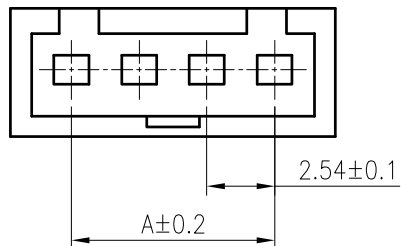
1. Current rating: 3A AC, DC
2. Voltage rating: 250V AC,DC
3. Temperature range: -40°C ~ +105°C
4. Insulation resistance: 1000MΩ Min.
5. Withstanding voltage: 1000V AC/ minute.
6. Contact resistance: 20mΩ Max.

Material: PBT UL 94V-0
Suitable KR2546 series terminal
Mate with KR2546 series wafer

Ordering Code:

H25460 *** 05 01A

No. of Circuits 
102:2,122:22
Insulator Material 
05:PBT Black V0



Circuits	Dimensions			Circuits	Dimensions		
	A	B	C		A	B	C
2	2.54	7.20	5.60	13	30.48	35.14	33.54
3	5.08	9.74	8.14	14	33.02	37.68	36.08
4	7.62	12.28	10.68	15	35.56	40.22	38.62
5	10.16	14.82	13.22	16	38.10	42.76	41.16
6	12.70	17.36	15.76	17	40.64	45.30	43.70
7	15.24	19.90	18.30	18	43.18	47.84	46.24
8	17.78	22.44	20.84	19	45.72	50.38	48.78
9	20.32	24.98	23.38	20	48.26	52.92	51.32
10	22.86	27.52	25.92	21	50.80	55.46	53.86
11	25.40	30.06	28.46	22	53.34	58.00	56.40
12	27.94	32.60	31.00				



Uniformly arrange the drawings

LJT

2020.05.20

TOLERANCE

X.X ±0.30

X.XX ±0.20

X.XXX ±0.10

Angle ±2°

TITLE:
2.54 Pitch Single
Row Housing

DRAWN: Liujingtian 2020.5.20

CHECKED:

APPROVED:

KONNRA 东莞市康瑞电子有限公司
DongGuan Konnra Electronics Co.,Ltd.

PART NO.: H25460***0501A

MARK

REVISION DESCRIPTION

SIGNATURE

DATE

UNIT:mm

SCALE:N/A

SHEET:1/1

PROJECTION 

REV.:A2

DRAWING NO.:2546H101-A-S

1

2

3

4

5

6

7

8

9