

RoHS
COMPLIANT

SPECIFICATIONS

1. Current rating: 3A AC, DC
2. Voltage rating: 250V AC,DC
3. Temperature range: -40°C ~ +105°C
4. Insulation resistance: 1000MΩ Min.
5. Withstanding voltage: 1000V AC/ minute.
6. Contact resistance: 20mΩ Max.

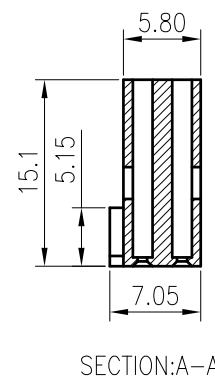
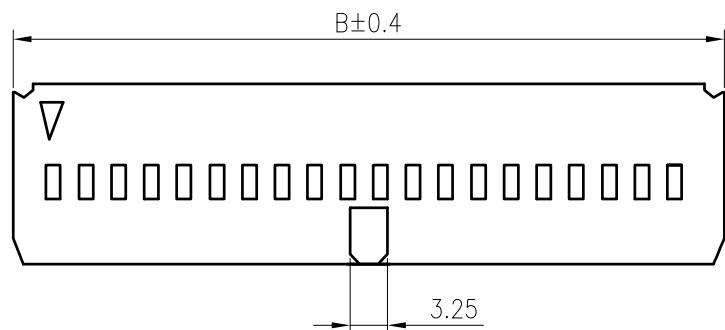
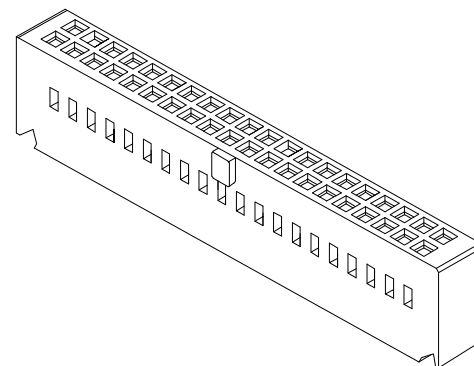
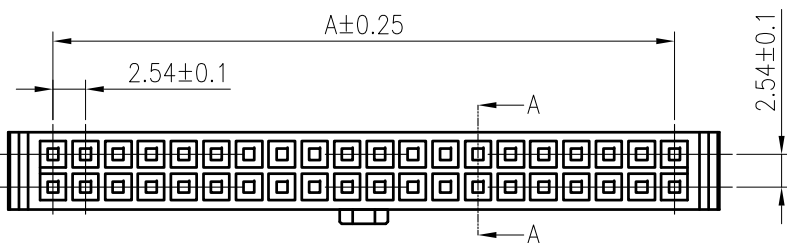
Material: Nylon PBT UL 94V-0
Suitable KR2541 series terminal
Mate with KR2545 series wafer

Ordering Code:

H25450 *** 05 02A

No. of Circuits
202:2*2,232:2*32
Insulator Material
05:PBT Black V0

Circuits	Dimensions		Circuits	Dimensions	
	A	B		A	B
2x2	2.54	9.54	2x18	43.18	50.18
2x3	5.08	12.08	2x19	45.72	52.72
2x4	7.62	14.62	2x20	48.26	55.26
2x5	10.16	17.16	2x21	50.80	57.80
2x6	12.70	19.70	2x22	53.34	60.34
2x7	15.24	22.24	2x23	55.88	62.90
2x8	17.78	24.78	2x24	58.42	65.42
2x9	20.32	27.32	2x25	60.96	67.96
2x10	22.86	29.86	2x26	63.50	70.50
2x11	25.40	32.40	2x27	66.04	73.04
2x12	27.94	34.94	2x28	68.58	75.58
2x13	30.48	37.48	2x29	71.12	78.12
2x14	33.02	40.02	2x30	73.66	80.66
2x15	35.56	42.56	2x31	76.20	83.20
2x16	38.10	45.10	2x32	78.74	85.74
2x17	40.64	47.64			



F					TOLERANCE	TITLE:	DRAWN: Liujingtian 2020.5.19	KONNRA 东莞市康瑞电子有限公司		
					X.X ±0.30	HRS 2.54 Housing	CHECKED:	DongGuan Konnra Electronics Co.,Ltd.		
		Uniformly arrange the drawings	LJT	2020.05.19	X.XX ±0.20	Have Gap	APPROVED:	PART NO.: H25450***0502A		
MARK	REVISION DESCRIPTION	SIGNATURE	DATE	X.XXX ±0.10	UNIT:mm	SCALE:N/A	SHEET:1/1	PROJECTION	REV.:A2	DRAWING NO.:2545H202-A-S
	1	2	3	4						

RoHS
COMPLIANT

SPECIFICATIONS

1. Current rating: 3A AC, DC
2. Voltage rating: 250V AC,DC
3. Temperature range: -40°C ~ +105°C
4. Insulation resistance: 1000MΩ Min.
5. Withstanding voltage: 1500V AC/ minute.
6. Contact resistance: 20mΩ Max.

Material: Nylon PBT UL 94V-0
Suitable KR2545 series terminal
Mate with KR2545 series wafer

Ordering Code:

H25450 *** 05 01A

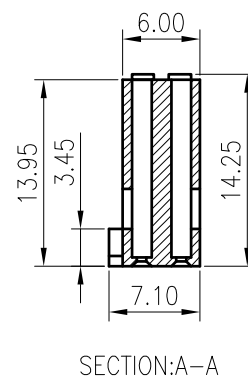
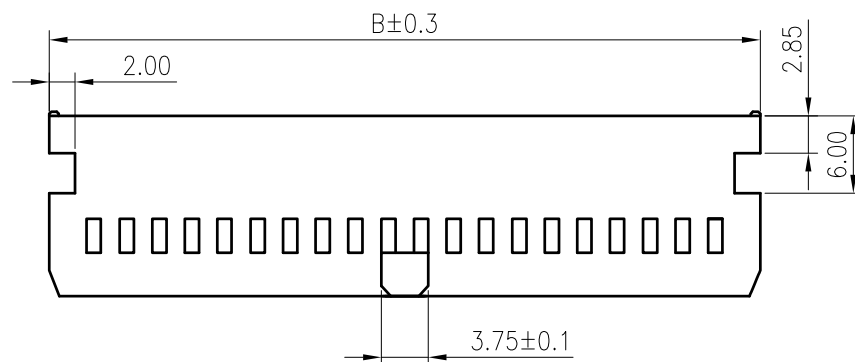
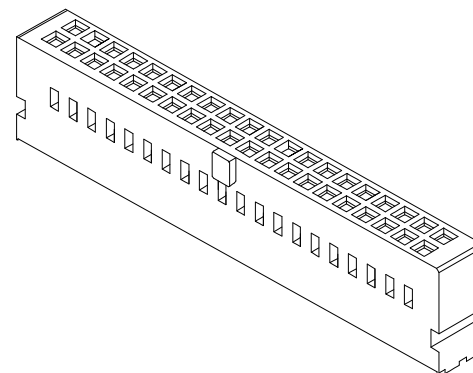
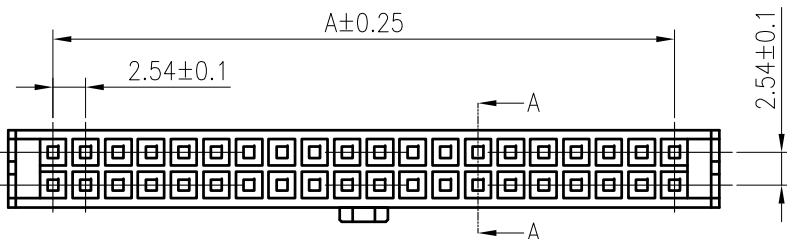
No. of Circuits

202:2*2,232:2*32

Insulator Material

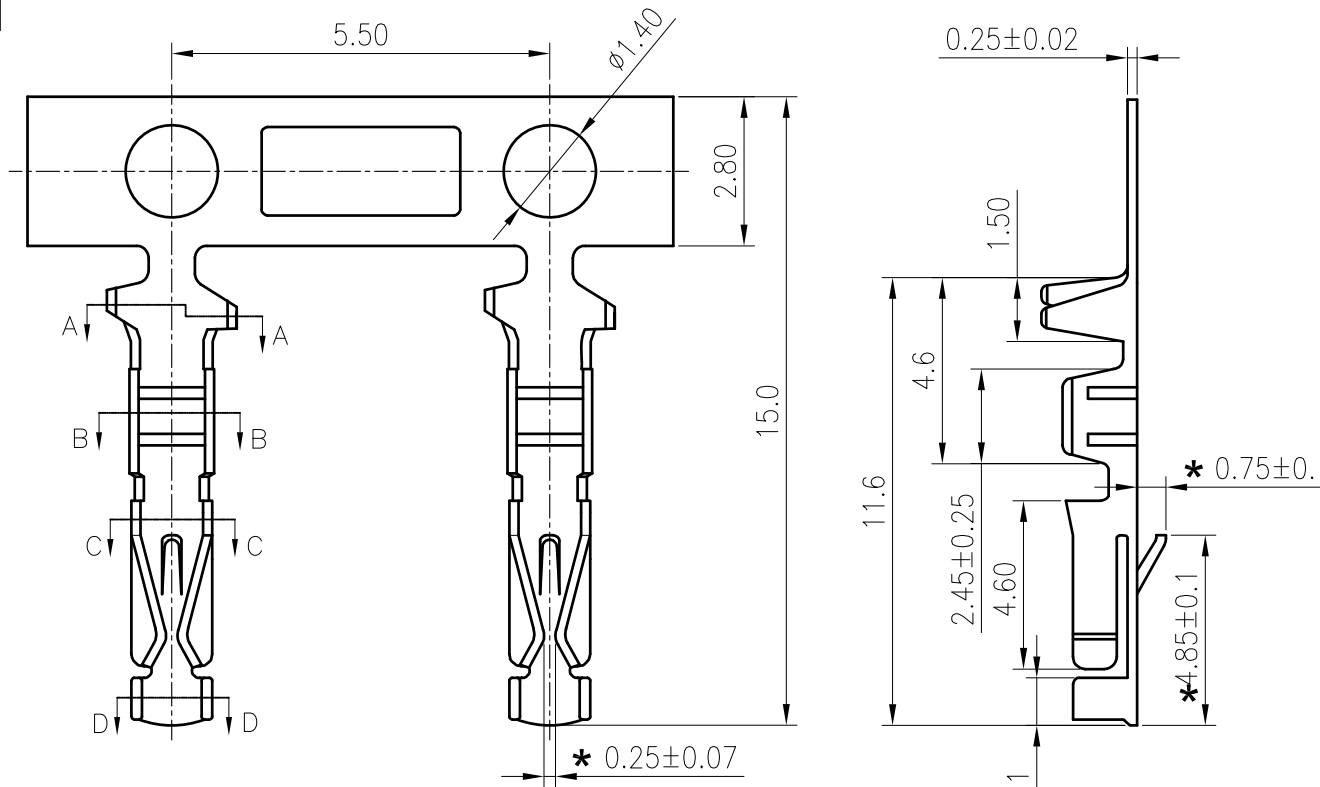
05:PBT Black V0

Circuits	Dimensions		Circuits	Dimensions	
	A	B		A	B
2x2	2.54	9.48	2x18	43.18	50.12
2x3	5.08	12.02	2x19	45.72	52.66
2x4	7.62	14.56	2x20	48.26	55.20
2x5	10.16	17.10	2x21	50.80	57.74
2x6	12.70	19.64	2x22	53.34	60.28
2x7	15.24	22.18	2x23	55.88	62.82
2x8	17.78	24.72	2x24	58.42	65.36
2x9	20.32	27.26	2x25	60.96	67.90
2x10	22.86	29.80	2x26	63.50	70.44
2x11	25.40	32.34	2x27	66.04	72.98
2x12	27.94	34.88	2x28	68.58	75.52
2x13	30.48	37.42	2x29	71.12	78.06
2x14	33.02	39.96	2x30	73.66	80.60
2x15	35.56	42.50	2x31	76.20	83.14
2x16	38.10	45.04	2x32	78.74	85.68
2x17	40.64	47.58			



F					TOLERANCE	TITLE:	DRAWN: Liujingtian 2020.5.19	KONNRA 东莞市康瑞电子有限公司 DongGuan Konnra Electronics Co.,Ltd. PART NO.: H25450***0501A			
					X.X ±0.30	HRS 2.54 Housing	CHECKED:				
		Uniformly arrange the drawings	LJT	2020.05.19	X.XX ±0.20		APPROVED:				
MARK	REVISION DESCRIPTION	SIGNATURE	DATE	X.XXX ±0.10	Angle ±2°	UNIT:mm	SCALE:N/A	SHEET:1/1	PROJECTION	REV.:A2	DRAWING NO.:2545H201-A-S

RoHS
COMPLIANT



SPECIFICATIONS

1. Current rating: 3A AC, DC
2. Voltage rating: 250V AC,DC
3. Temperature range: $-40^{\circ}\text{C} \sim +105^{\circ}\text{C}$
4. Insulation resistance: 1000M Ω Min.
5. Withstanding voltage: 1500V AC/ minute.
6. Contact resistance: 20m Ω Max.

Applicable Wires:

AWG#22~#28

Insulation O.D. : 1.60mm MAX

Material: Phosphor Bronze

Plating: Tin plated over nickel

Suitable KR2545 series housing

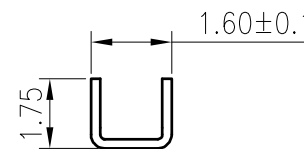
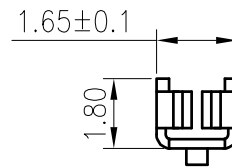
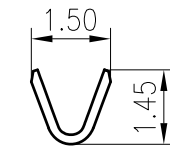
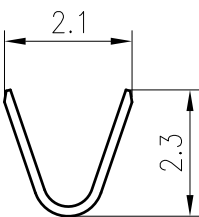
Q'ty/reel: 10,000 PCS

Ordering Code:

T2545FP *** 01A

T01: Tin plated

B01: Selective gold flash



Uniformly arrange the drawings

LJT

2020.05.20

TOLERANCE
X.X ± 0.30
X.XX ± 0.20
X.XXX ± 0.10
Angle $\pm 2^{\circ}$

TITLE:
HRS 2.54 Male
Terminal

DRAWN: Liujingtian 2020.5.20

CHECKED:

APPROVED:

UNIT:mm

SCALE:N/A

SHEET:1/1

PROJECTION

KONNRA 东莞市康瑞电子有限公司

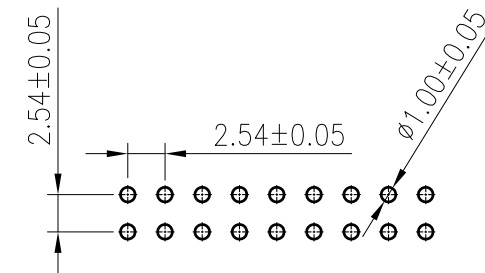
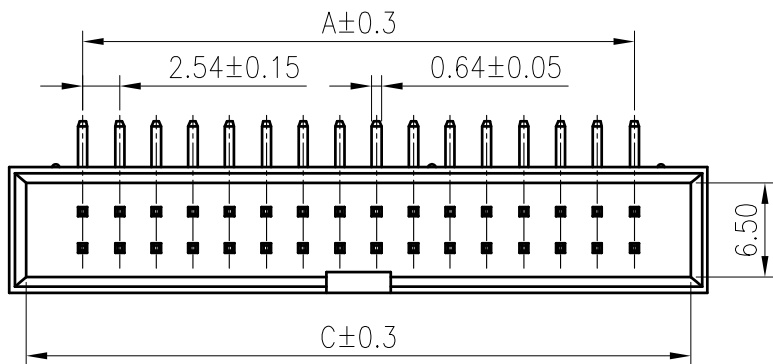
DongGuan Konnra Electronics Co.,Ltd.

PART NO.:T2545FP***01A

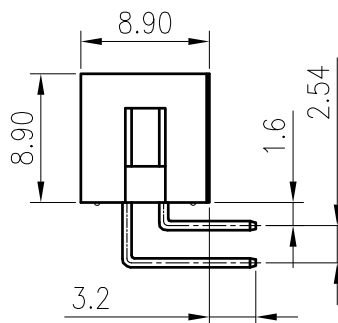
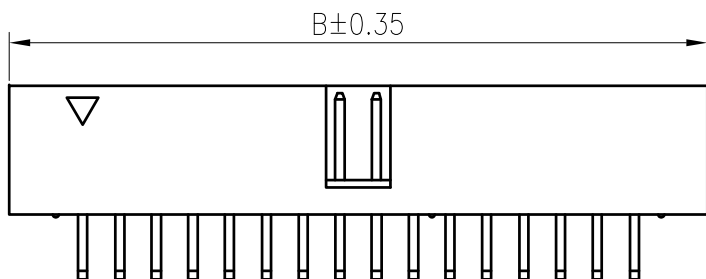
REV.:A2

DRAWING NO.:2545T101-A-S

RoHS
COMPLIANT



Recommended P.C.Board Layout



SPECIFICATIONS

1. Current rating: 3A AC, DC
2. Voltage rating: 250V AC,DC
3. Temperature range: -40°C ~ +105°C
4. Insulation resistance: 1000MΩ Min.
5. Withstanding voltage: 1500V AC/ minute.
6. Contact resistance: 20mΩ Max.

Material:

Insulator: PBT UL 94V-0
 Contact: Brass
 Plating: Gold plated over Nickel
 Mate with KR2545 series Housing

Ordering Code:

C2545RD *** 05 G01 01 BA

No.of Circuits 203:2*3,225:2*25

Circuits	Dimensions		
	A	B	C
2x3	5.08	15.24	12.92
2x4	7.62	17.78	15.46
2x5	10.16	20.32	18.00
2x6	12.70	22.86	20.54
2x7	15.24	25.40	23.08
2x8	17.78	27.94	25.62
2x9	20.32	30.48	28.16
2x10	22.86	33.02	30.70
2x12	27.94	38.10	35.78
2x13	30.48	40.64	38.32
2x15	35.56	45.72	43.40
2x17	40.64	50.80	48.48
2x20	48.26	58.40	56.10
2x25	60.96	71.10	68.80

F					TOLERANCE	TITLE:	DRAWN: Liujingtian 2020.5.12	KONNRA 东莞市康瑞电子有限公司			
					X.X ±0.30	DP2.54 DIP 90°	CHECKED:	DongGuan Konnra Electronics Co.,Ltd.			
		Uniformly arrange the drawings	LJT	2020.05.12	X.XX ±0.20	Box header Dual	APPROVED:	PART NO.: C2545RD***05G0101BA			
MARK	REVISION DESCRIPTION	SIGNATURE	DATE	X.XXX ±0.10	Angle ±2°	UNIT:mm	SCALE:N/A	SHEET:1/1	PROJECTION	REV.:A2	DRAWING NO.:2545WRD201-A-S
1	2	3	4	5	6	7	8	9			

RoHS
COMPLIANT

SPECIFICATIONS

1. Current rating: 3A AC, DC
2. Voltage rating: 250V AC,DC
3. Temperature range: -40°C ~ +105°C
4. Insulation resistance: 1000MΩ Min.
5. Withstanding voltage: 1500V AC/ minute.
6. Contact resistance: 20mΩ Max.

Material:

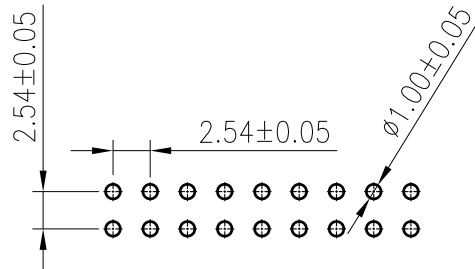
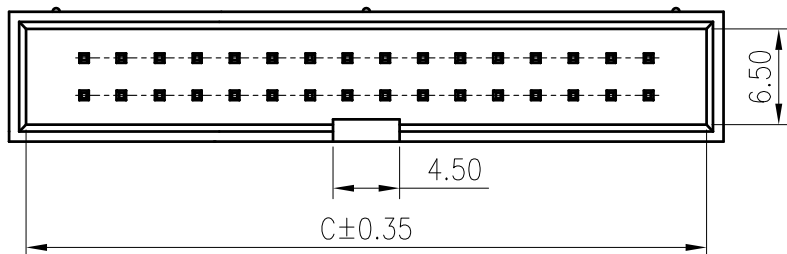
Insulator: PBT UL 94V-0
 Contact: Brass
 Plating: Gold plated over Nickel
 Mate with KR2545 series Housing

Ordering Code:

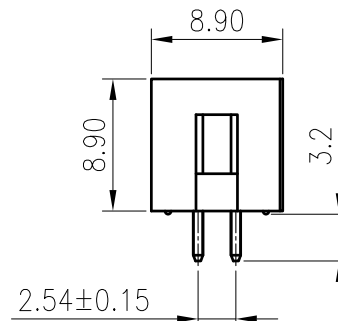
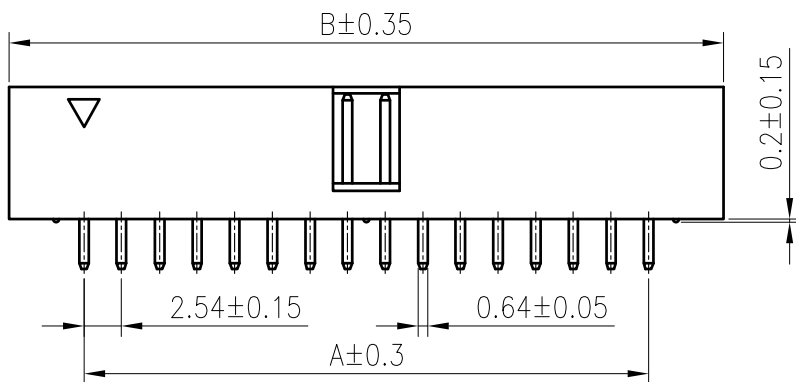
C2545VD *** 05 G01 01 BA

No. of Circuits
 203:2*3,225:2*25

Circuits	Dimensions		
	A	B	C
2x3	5.08	15.24	12.92
2x4	7.62	17.78	15.46
2x5	10.16	20.32	18.00
2x6	12.70	22.86	20.54
2x7	15.24	25.40	23.08
2x8	17.78	27.94	25.62
2x9	20.32	30.48	28.16
2x10	22.86	33.02	30.70
2x12	27.94	38.10	35.78
2x13	30.48	40.64	38.32
2x15	35.56	45.72	43.40
2x17	40.64	50.80	48.48
2x20	48.26	58.40	56.10
2x25	60.96	71.10	68.80



Recommended P.C.Board Layout



	Uniformly arrange the drawings	LJT	2020.05.12

TOLERANCE	
X.X	±0.30
X.XX	±0.20
X.XXX	±0.10
Angle	±2°

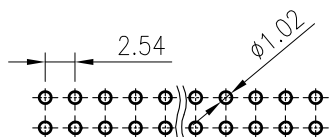
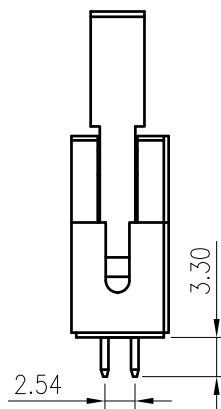
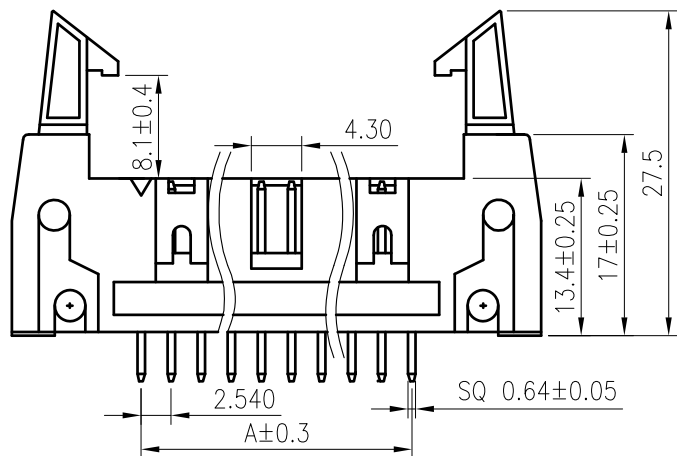
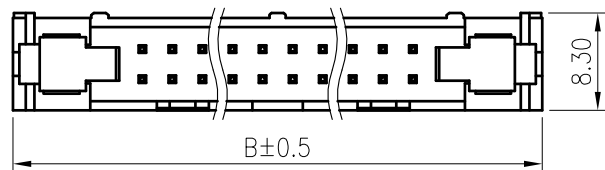
TITLE:
 DP2.54 DIP 180°
 Box header Dual
 Row

DRAWN: Liujingtian 2020.5.12
 CHECKED:
 APPROVED:

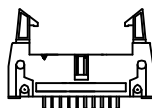
KONNRA 东莞市康瑞电子有限公司
 DongGuan Konnra Electronics Co.,Ltd.
 PART NO.: C2545VD***05G0101BA

MARK	REVISION DESCRIPTION	SIGNATURE	DATE	UNIT:mm	SCALE:N/A	SHEET:1/1	PROJECTION	REV.:A2	DRAWING NO.:2545WVD201-A-S
------	----------------------	-----------	------	---------	-----------	-----------	------------	---------	----------------------------

RoHS
COMPLIANT



Recommended P.C.B. Layout
Total tolerance: ±0.05mm



2x3-2x8P



2x10-2x25P



2x30-2x32P

SPECIFICATIONS

1. Current rating: 3A AC, DC
2. Voltage rating: 250V AC,DC
3. Temperature range: -40°C ~ +105°C
4. Insulation resistance: 1000MΩ/ min.
5. Withstanding voltage: 1000V AC/ minute.
6. Contact resistance: 20mΩ/ max.

Material:

Insulator: PA9T UL 94V-0
Contact: Brass
Plating: Gold flash over Nickel
Mate with KR2545 series Housing

Ordering Code:

C2545VD 205 12 G01 01BE
No. of Circuits: 203:2x3, 232:2x32
Insulator Material: 12:PA9T Black
Plating: G01:Gold flash

Circuits	Dimensions		Circuits	Dimensions	
	A	B		A	B
2x3	5.08	26.82	2x15	35.56	57.30
2x5	10.16	32.00	2x17	40.64	62.38
2x7	15.24	36.98	2x20	48.26	70.00
2x8	17.78	39.52	2x25	60.96	82.70
2x10	22.86	44.60	2x30	73.66	95.40
2x12	27.94	49.68	2x32	78.74	100.48
2x13	30.48	52.22			



MARK

REVISION DESCRIPTION

SIGNATURE

DATE

TOLERANCE

X.X ±0.30
X.XX ±0.20
X.XXX ±0.10
Angle ±2°

TITLE:
DP2.54 DIP 180°
Have Buckle Dual
Row

UNIT:mm SCALE:N/A

DRAWN: *Arwin 2020.07.13*

CHECKED:

APPROVED:

SHEET: 1/1 PROJECTION

KONNRA 东莞市康瑞电子有限公司
DongGuan Konnra Electronics Co.,Ltd.

PART NO.: C2545VDxxx12G0101BE

REV.: A2 DRAWING NO.: 2545WVD201-E-S

1

2

3

4

5

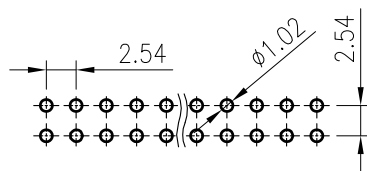
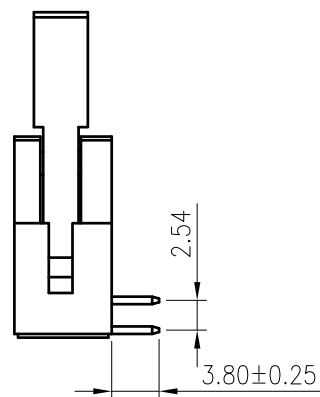
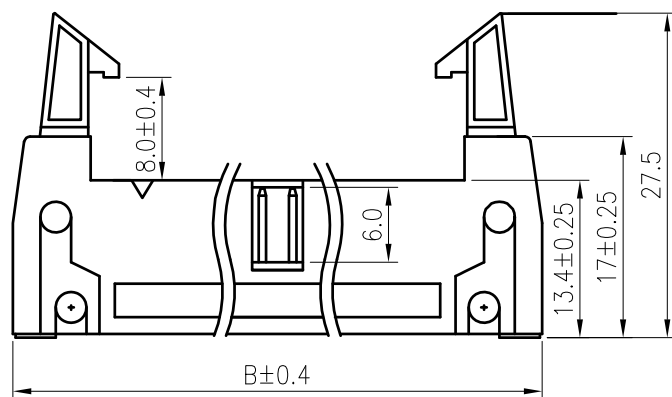
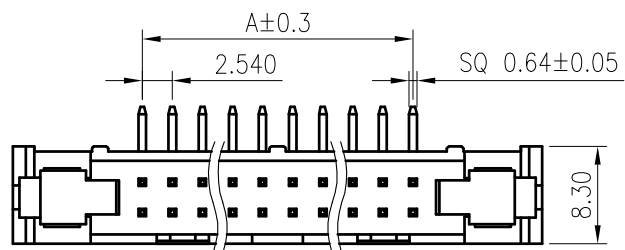
6

7

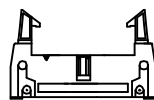
8

9

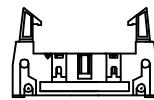
RoHS
COMPLIANT



Recommended P.C.B. Layout
Total tolerance:±0.05mm



2x3-2x8P



2x10-2x25P



2x30-2x32P

SPECIFICATIONS

1. Current rating: 3A AC, DC
2. Voltage rating: 250V AC,DC
3. Temperature range: -40°C ~ +105°C
4. Insulation resistance: 1000MΩ/ min.
5. Withstanding voltage: 1000V AC/ minute.
6. Contact resistance: 20mΩ/ max.

Material:

Insulator: PA9T UL 94V-0

Contact: Brass

Plating: Gold flash over Nickel

Mate with KR2545 series Housing

Ordering Code:

C2545RD 205 12 G01 01BE

No.of Circuits

203:2x3,232:2x32

Insulator Material

12:PA9T Black

Plating

G01:Gold flash

Circuits	Dimensions		Circuits	Dimensions	
	A	B		A	B
2x3	5.08	26.92	2x15	35.56	57.40
2x5	10.16	32.00	2x17	40.64	62.48
2x7	15.24	37.08	2x20	48.26	70.10
2x8	17.78	39.62	2x25	60.96	82.80
2x10	22.86	44.70	2x30	73.66	95.50
2x12	27.94	49.71	2x32	78.74	100.6
2x13	30.48	52.32			



MARK

REVISION DESCRIPTION

SIGNATURE

DATE

TOLERANCE

X.X ±0.30

X.XX ±0.20

X.XXX ±0.10

Angle ±2°

TITLE:
DP2.54 DIP 90°
Have Buckle Dual
Row

UNIT:mm

SCALE:N/A

DRAWN: *Arwin 2020.07.13*

CHECKED:

APPROVED:

SHEET:1/1

PROJECTION

KONNRA 东莞市康瑞电子有限公司
DongGuan Konnra Electronics Co.,Ltd.

PART NO.:C2545RDxxx12G0101BE

REV.:A2

DRAWING NO.:2545WRD201-E-S