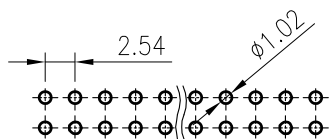
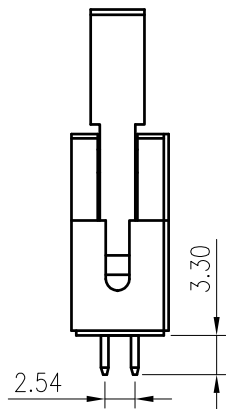
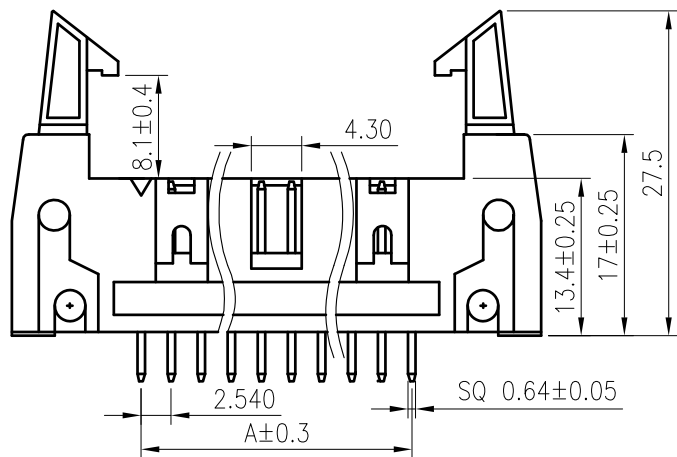
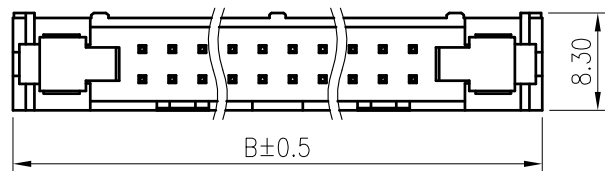
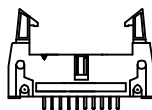


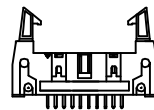
RoHS
COMPLIANT



Recommended P.C.B. Layout
Total tolerance: ±0.05mm



2x3-2x8P



2x10-2x25P



2x30-2x32P

SPECIFICATIONS

1. Current rating: 3A AC, DC
2. Voltage rating: 250V AC,DC
3. Temperature range: -40°C ~ +105°C
4. Insulation resistance: 1000MΩ/ min.
5. Withstanding voltage: 1000V AC/ minute.
6. Contact resistance: 20mΩ/ max.

Material:

Insulator: PA9T UL 94V-0
Contact: Brass
Plating: Gold flash over Nickel
Mate with KR2545 series Housing

Ordering Code:

C2545VD 205 12 G01 01BE
No. of Circuits: 203:2x3, 232:2x32
Insulator Material: 12:PA9T Black
Plating: G01:Gold flash

Circuits	Dimensions		Circuits	Dimensions	
	A	B		A	B
2x3	5.08	26.82	2x15	35.56	57.30
2x5	10.16	32.00	2x17	40.64	62.38
2x7	15.24	36.98	2x20	48.26	70.00
2x8	17.78	39.52	2x25	60.96	82.70
2x10	22.86	44.60	2x30	73.66	95.40
2x12	27.94	49.68	2x32	78.74	100.48
2x13	30.48	52.22			



MARK

REVISION DESCRIPTION

SIGNATURE

DATE

TOLERANCE

X.X ±0.30
X.XX ±0.20
X.XXX ±0.10
Angle ±2°

TITLE:
DP2.54 DIP 180°
Have Buckle Dual
Row

UNIT:mm SCALE:N/A

DRAWN: *Arwin 2020.07.13*

CHECKED:

APPROVED:

SHEET: 1/1 PROJECTION

KONNRA 东莞市康瑞电子有限公司
DongGuan Konnra Electronics Co.,Ltd.

PART NO.: C2545VDxxx12G0101BE

REV.: A2 DRAWING NO.: 2545WVD201-E-S

1

2

3

4

5

6

7

8

9