

**RoHS**  
COMPLIANT

**SPECIFICATIONS**

1. Current rating: 3A AC, DC
2. Voltage rating: 250V AC,DC
3. Temperature range: -40°C ~ +105°C
4. Insulation resistance: 1000MΩ Min.
5. Withstanding voltage: 1500V AC/ minute.
6. Contact resistance: 20mΩ Max.

**Material:**

Insulator: PBT UL 94V-0  
 Contact: Brass  
 Plating: Gold plated over Nickel  
 Mate with KR2545 series Housing

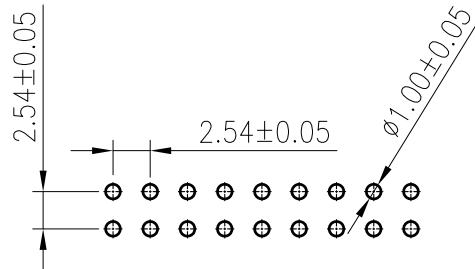
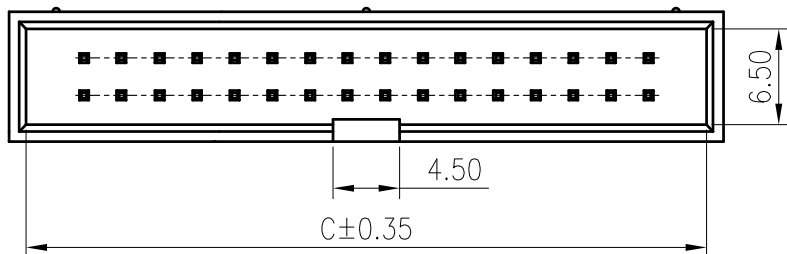
**Ordering Code:**

C2545VD \*\*\* 05 G01 01 BA

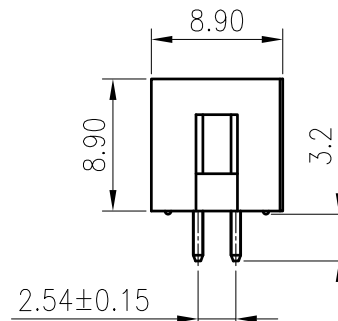
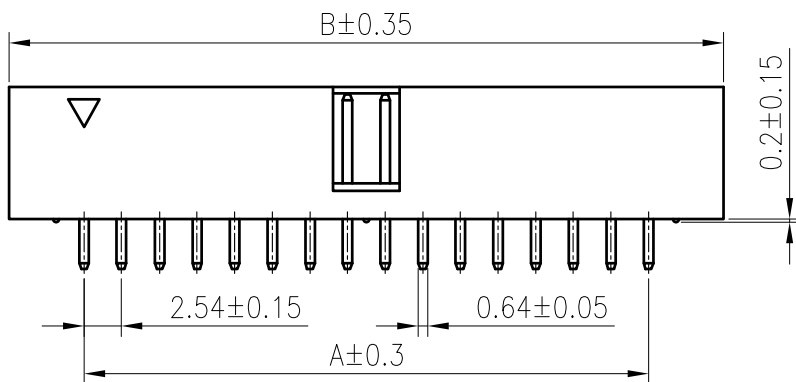
No. of Circuits

203:2\*3, 225:2\*25

Circuits	Dimensions		
	A	B	C
2x3	5.08	15.24	12.92
2x4	7.62	17.78	15.46
2x5	10.16	20.32	18.00
2x6	12.70	22.86	20.54
2x7	15.24	25.40	23.08
2x8	17.78	27.94	25.62
2x9	20.32	30.48	28.16
2x10	22.86	33.02	30.70
2x12	27.94	38.10	35.78
2x13	30.48	40.64	38.32
2x15	35.56	45.72	43.40
2x17	40.64	50.80	48.48
2x20	48.26	58.40	56.10
2x25	60.96	71.10	68.80



Recommended P.C.Board Layout



	Uniformly arrange the drawings	LJT	2020.05.12

TOLERANCE	
X.X	±0.30
X.XX	±0.20
X.XXX	±0.10
Angle	±2°

TITLE:  
 DP2.54 DIP 180°  
 Box header Dual  
 Row

DRAWN: Liujingtian 2020.5.12  
 CHECKED:  
 APPROVED:

**KONNRA** 东莞市康瑞电子有限公司  
 DongGuan Konnra Electronics Co.,Ltd.  
 PART NO.: C2545VD\*\*\*05G0101BA

MARK	REVISION DESCRIPTION	SIGNATURE	DATE	UNIT:mm	SCALE:N/A	SHEET:1/1	PROJECTION	REV.:A2	DRAWING NO.:2545WVD201-A-S
------	----------------------	-----------	------	---------	-----------	-----------	------------	---------	----------------------------