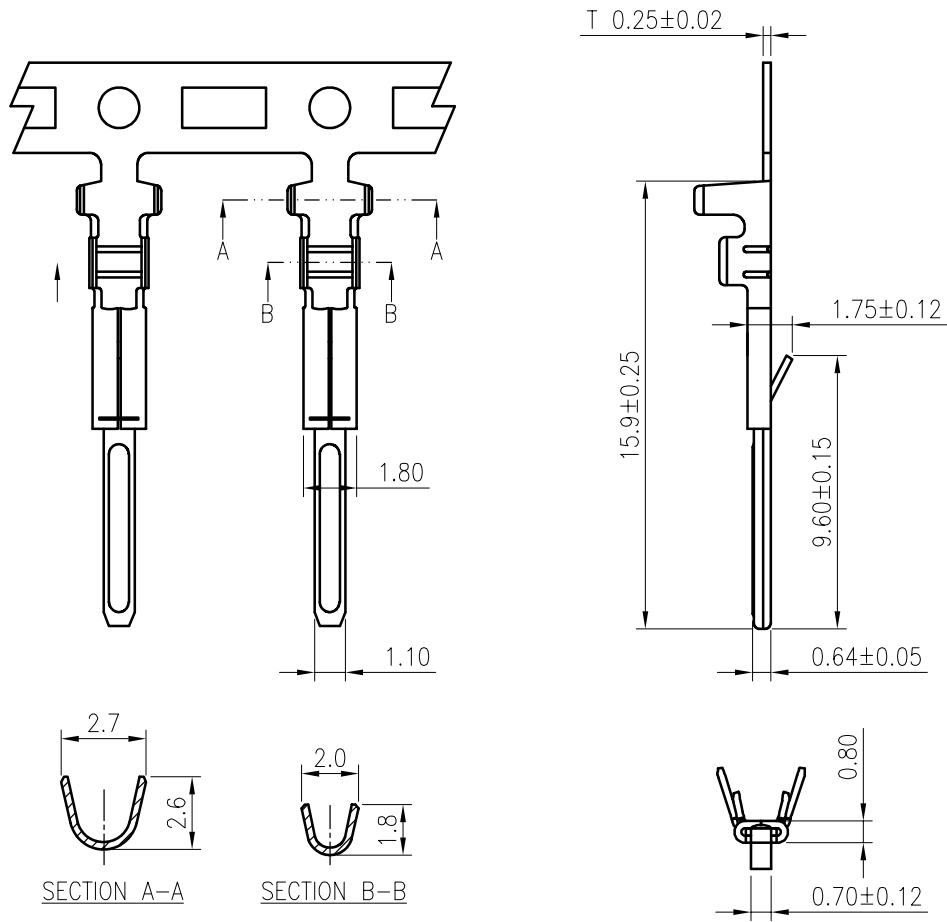


RoHS
COMPLIANT



SPECIFICATIONS

1. Current rating: 3A AC, DC
2. Voltage rating: 250V AC,DC
3. Temperature range: -40°C ~ +105°C
4. Insulation resistance: 500MΩ/ min.
5. Withstanding voltage: 1500V AC/ minute.
6. Contact resistance: 20mΩ/ max.

Applicable Wires:

AWG #28~#22

Insulation O.D. : 1.20 To 1.80mm

Material: Phosphor Bronze

Plating: Tin plated over Nickel

Suitable KR2544 series female Housing

Mate with KR2544 series female terminal

Q'ty/Reel: 9,000 PCS/R

F	△4				TOLERANCE X. X ±0.30 X. XX ±0.20 X. XXX ±0.10 Angle ±2°	TITLE: SYP2.54 Male Terminal	DRAWN: Arvin 2021.01.04 CHECKED: APPROVED:	KONNRA 东莞市康瑞电子有限公司 DongGuan Konnra Electronics Co., Ltd.		
	△3									
	△2									
	MARK	REVISION DESCRIPTION	SIGNATURE	DATE						
	1	2	3	4	UNIT: mm	SCALE: N/A	SHEET: 1/1	PROJECTION	REV. : A1	DRAWING NO. : 2544TM101-A-S