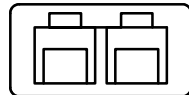
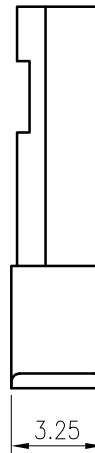
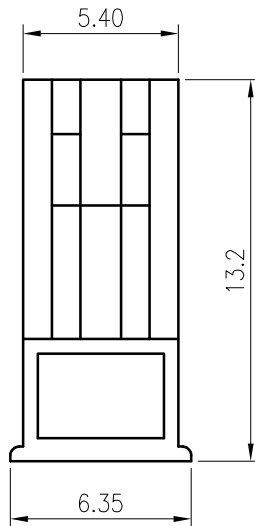
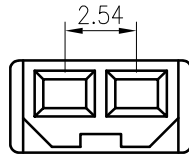


RoHS
COMPLIANT



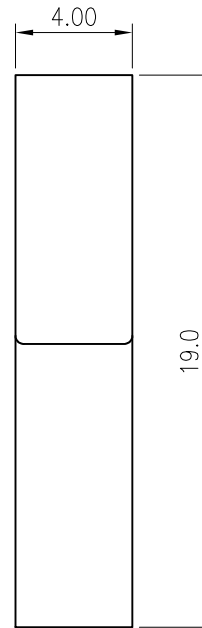
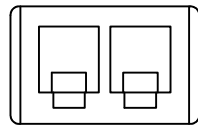
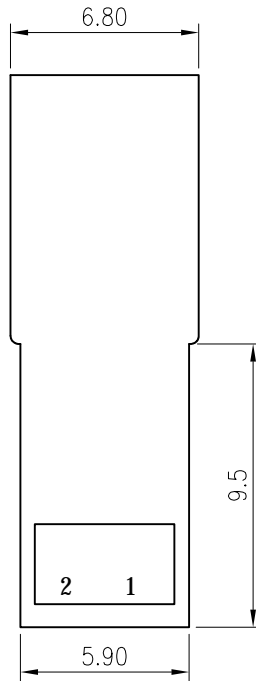
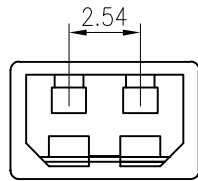
SPECIFICATIONS

1. Current rating: 3A AC, DC
2. Voltage rating: 250V AC,DC
3. Temperature range: -40°C ~ +105°C
4. Insulation resistance: 500MΩ/ min.
5. Withstanding voltage: 1500V AC/ minute.
6. Contact resistance: 20mΩ/ max.

Material: PA66 UL94 V-2
 Suitable KR2544 series female terminal
 Mate with KR2544 series female Housing

F					TOLERANCE X. X ±0.30 X. XX ±0.20 X. XXX ±0.10 Angle ±2°	TITLE: SYP2.54 Male Housing	DRAWN: Arvin 2021.01.04		KONNRA 东莞市康瑞电子有限公司		
							CHECKED:		DongGuan Konnra Electronics Co., Ltd.		
							APPROVED:		PART NO. : H2544M1023201A		
	MARK	REVISION DESCRIPTION	SIGNATURE	DATE			UNIT: mm	SCALE: N/A	SHEET: 1/1	PROJECTION	REV. : A1
	1	2	3	4	5	6	7	8	9		

RoHS
COMPLIANT



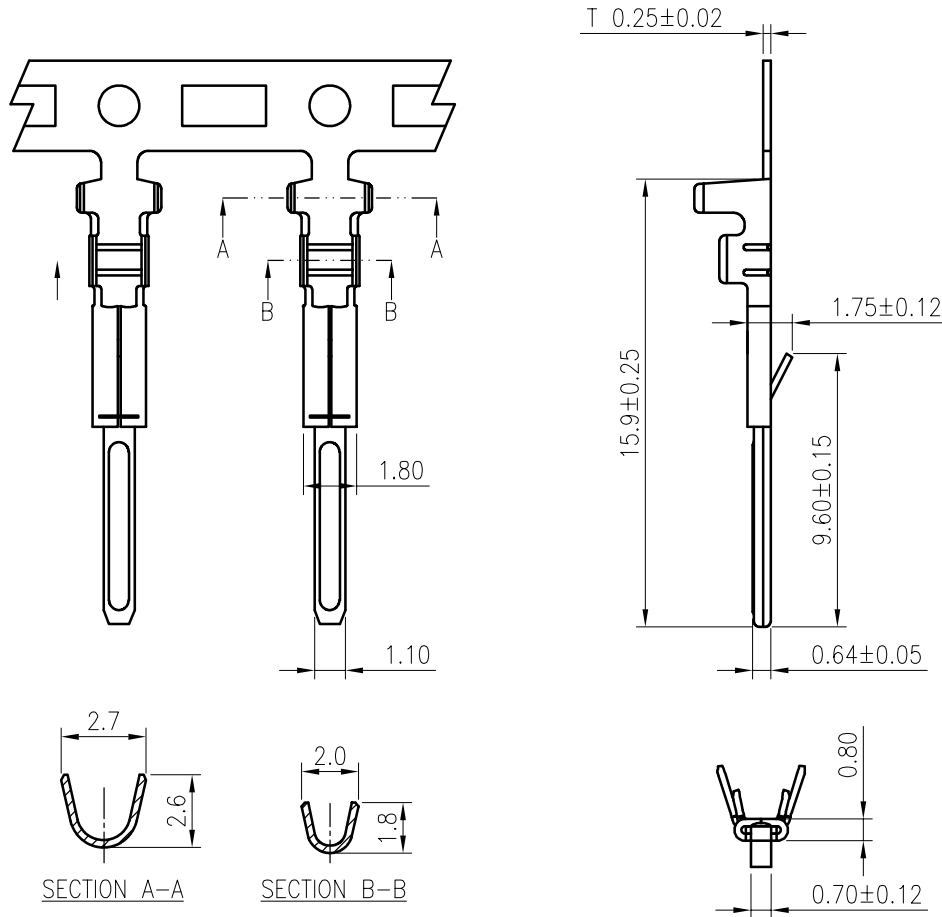
SPECIFICATIONS

1. Current rating: 3A AC, DC
2. Voltage rating: 250V AC,DC
3. Temperature range: -40°C ~ +105°C
4. Insulation resistance: 500MΩ/ min.
5. Withstanding voltage: 1500V AC/ minute.
6. Contact resistance: 20mΩ/ max.

Material: PA66 UL94 V-2
 Suitable KR2544 series male terminal
 Mate with KR2544 series male Housing

F					TOLERANCE X. X ±0.30 X. XX ±0.20 X. XXX ±0.10 Angle ±2°	TITLE: SYP2.54 Female Housing	DRAWN: Arvin 2021.01.04		KONNRA 东莞市康瑞电子有限公司		
							CHECKED:		DongGuan Konnra Electronics Co., Ltd.		
							APPROVED:		PART NO. : H2544F1023201A		
	MARK	REVISION DESCRIPTION	SIGNATURE	DATE			UNIT: mm	SCALE: N/A	SHEET: 1/1	PROJECTION	REV. : A1
	1	2	3	4	5	6	7	8	9		

RoHS
COMPLIANT



SPECIFICATIONS

1. Current rating: 3A AC, DC
2. Voltage rating: 250V AC,DC
3. Temperature range: -40°C ~ +105°C
4. Insulation resistance: 500MΩ/ min.
5. Withstanding voltage: 1500V AC/ minute.
6. Contact resistance: 20mΩ/ max.

Applicable Wires:

AWG #28~#22

Insulation O.D. : 1.20 To 1.80mm

Material: Phosphor Bronze

Plating: Tin plated over Nickel

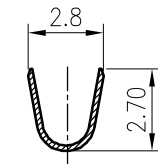
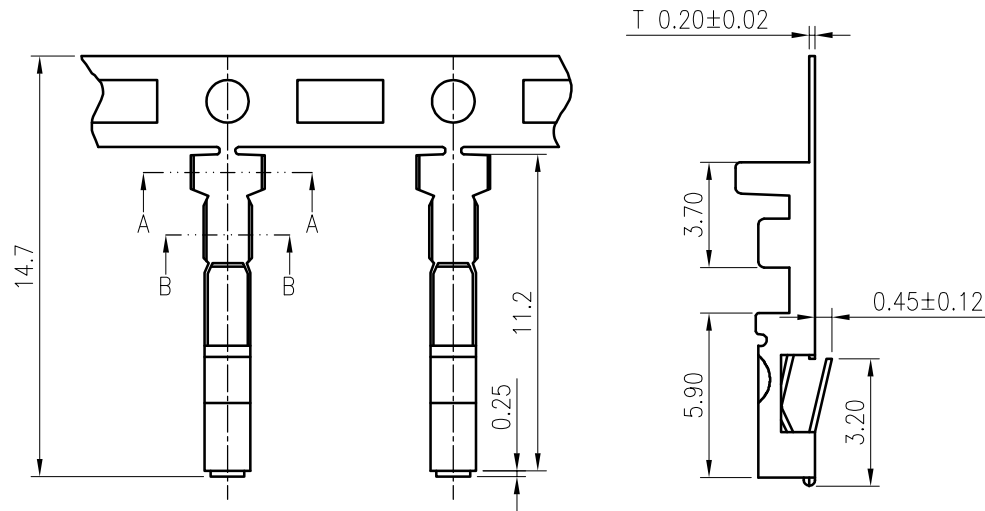
Suitable KR2544 series female Housing

Mate with KR2544 series female terminal

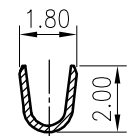
Q'ty/Reel: 9,000 PCS/R

F					TOLERANCE X. X ±0.30 X. XX ±0.20 X. XXX ±0.10 Angle ±2°	TITLE: SYP2.54 Male Terminal	DRAWN: Arvin 2021.01.04		KONNRA 东莞市康瑞电子有限公司		
							CHECKED:		DongGuan Konnra Electronics Co., Ltd.		
							APPROVED:		PART NO. : T2544MPT0101A		
	MARK	REVISION DESCRIPTION	SIGNATURE	DATE			UNIT: mm	SCALE: N/A	SHEET: 1/1	PROJECTION	REV. : A1
	1	2	3	4	5	6	7	8	9		

RoHS
COMPLIANT



SECTION A-A



SECTION B-B

SPECIFICATIONS

1. Current rating: 3A AC, DC
2. Voltage rating: 250V AC,DC
3. Temperature range: -40°C ~ +105°C
4. Insulation resistance: 500MΩ/ min.
5. Withstanding voltage: 1500V AC/ minute.
6. Contact resistance: 20mΩ/ max.

Applicable Wires:

AWG #28~#22

Insulation O.D. : 1.20 To 1.80mm

Material: Phosphor Bronze

Plating: Tin plated over Nickel

Suitable KR2544 series male Housing

Mate with KR2544 series male terminal

Q'ty/Reel: 8,000 PCS/R

F					TOLERANCE X. X ±0.30 X. XX ±0.20 X. XXX ±0.10 Angle ±2°	TITLE: SYP2.54 Female Terminal	DRAWN: Arvin 2021.01.04		KONNRA 东莞市康瑞电子有限公司		
							CHECKED:		DongGuan Konnra Electronics Co., Ltd.		
							APPROVED:		PART NO. : T2544FPT0101A		
MARK	REVISION DESCRIPTION	SIGNATURE	DATE	UNIT: mm	SCALE: N/A	SHEET: 1/1	PROJECTION	REV. : A1	DRAWING NO. : 2544TF101-A-S		
1	2	3	4	5	6	7	8	9			