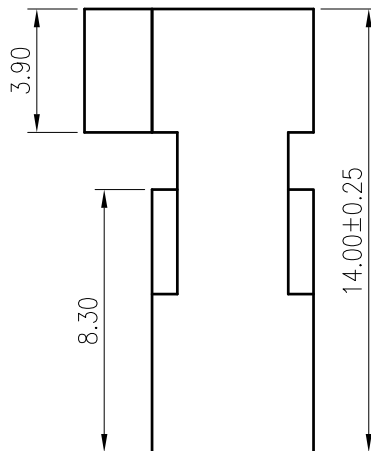
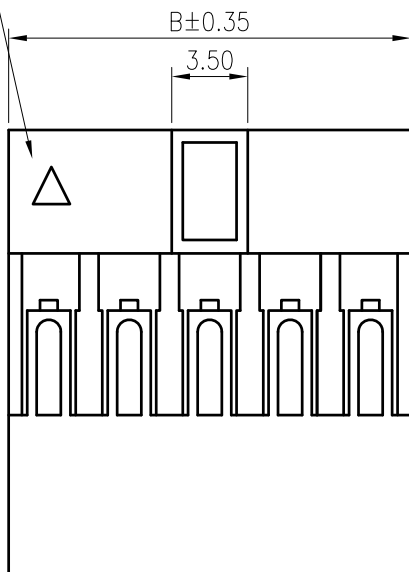
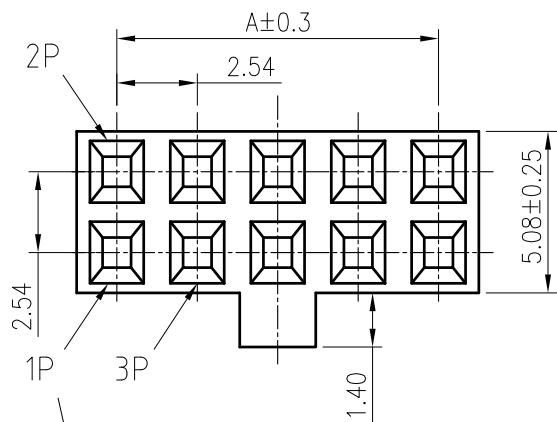


RoHS
COMPLIANT



SPECIFICATIONS

1. Current rating: 3A AC, DC
2. Voltage rating: 250V AC,DC
3. Temperature range: -40°C ~ +105°C
4. Insulation resistance: 1000MΩ Min.
5. Withstanding voltage: 1500V AC/ minute.
6. Contact resistance: 20mΩ Max.

Material: PPO UL 94V-0
Suitable KR2542 series terminal
Mate with KR2542 series pin header

Ordering Code:

H25420 *** 06 03D

No.of Circuits }
202:2*2,222:2*22 }
Insulator Material }
06:PPO Black V0 }

A=2.54X(Circuits/2-1)
B=A+2.54



MARK

REVISION DESCRIPTION

SIGNATURE

DATE

TOLERANCE

X.X ±0.30

X.XX ±0.20

X.XXX ±0.10

Angle ±2°

TITLE:

DP2.54 Housing

Dual Row Low

convexity

UNIT:mm

SCALE:N/A

DRAWN: *Arwin 2020.10.27*

CHECKED:

APPROVED:

SHEET:1/1

PROJECTION

KONNRA 东莞市康瑞电子有限公司

DongGuan Konnra Electronics Co.,Ltd.

PART NO.:H25420***0603D

REV.:A1

DRAWING NO.:2542H203-D-S

1

2

3

4

5

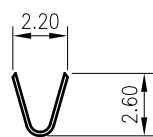
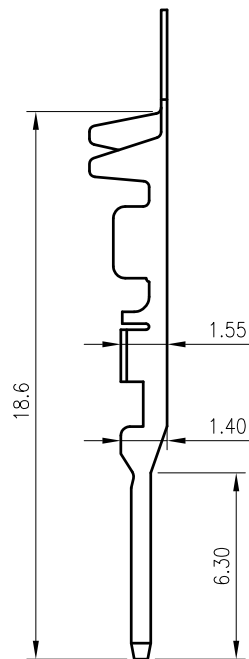
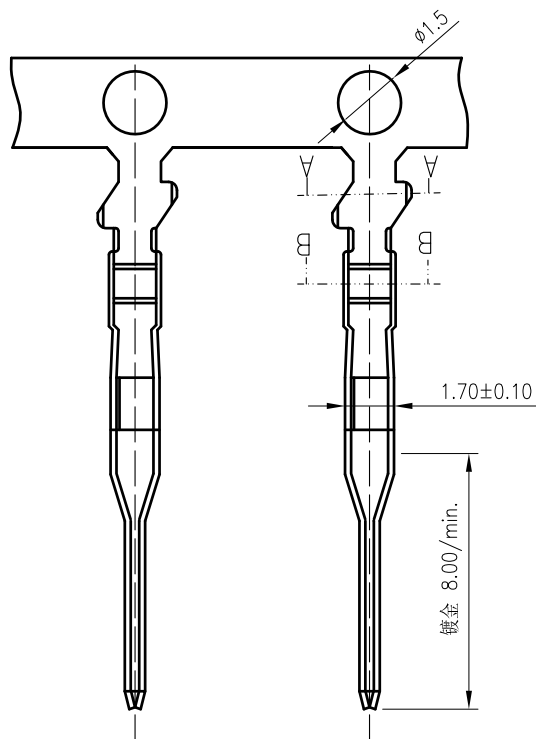
6

7

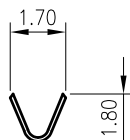
8

9

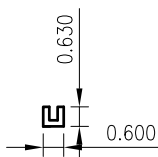
RoHS
COMPLIANT



SECTION A-A



SECTION B-B



SPECIFICATIONS

1. Current rating: 3A AC, DC
2. Voltage rating: 250V AC,DC
3. Temperature range: -40°C ~ +105°C
4. Insulation resistance: 1000MΩ Min.
5. Withstanding voltage: 1500V AC/ minute.
6. Contact resistance: 20mΩ Max.

Applicable Wires:

AWG#22~#28

Insulation O.D. : 1.70mm MAX

Material: Brass

Plating: Tin plated over nickel

Selective gold flash over nickel

Suitable KR2542 series housing

Q'ty/reel: 10,000 PCS



MARK

1

2

3

4

5

6

7

8

9

TOLERANCE

X.X ±0.30

X.XX ±0.20

X.XXX ±0.10

Angle ±2°

TITLE:
DP2.54 Male
Terminal

UNIT:mm

SCALE:N/A

DRAWN: Arvin 2020.03.05

CHECKED:

APPROVED:

SHEET: 1/1

PROJECTION

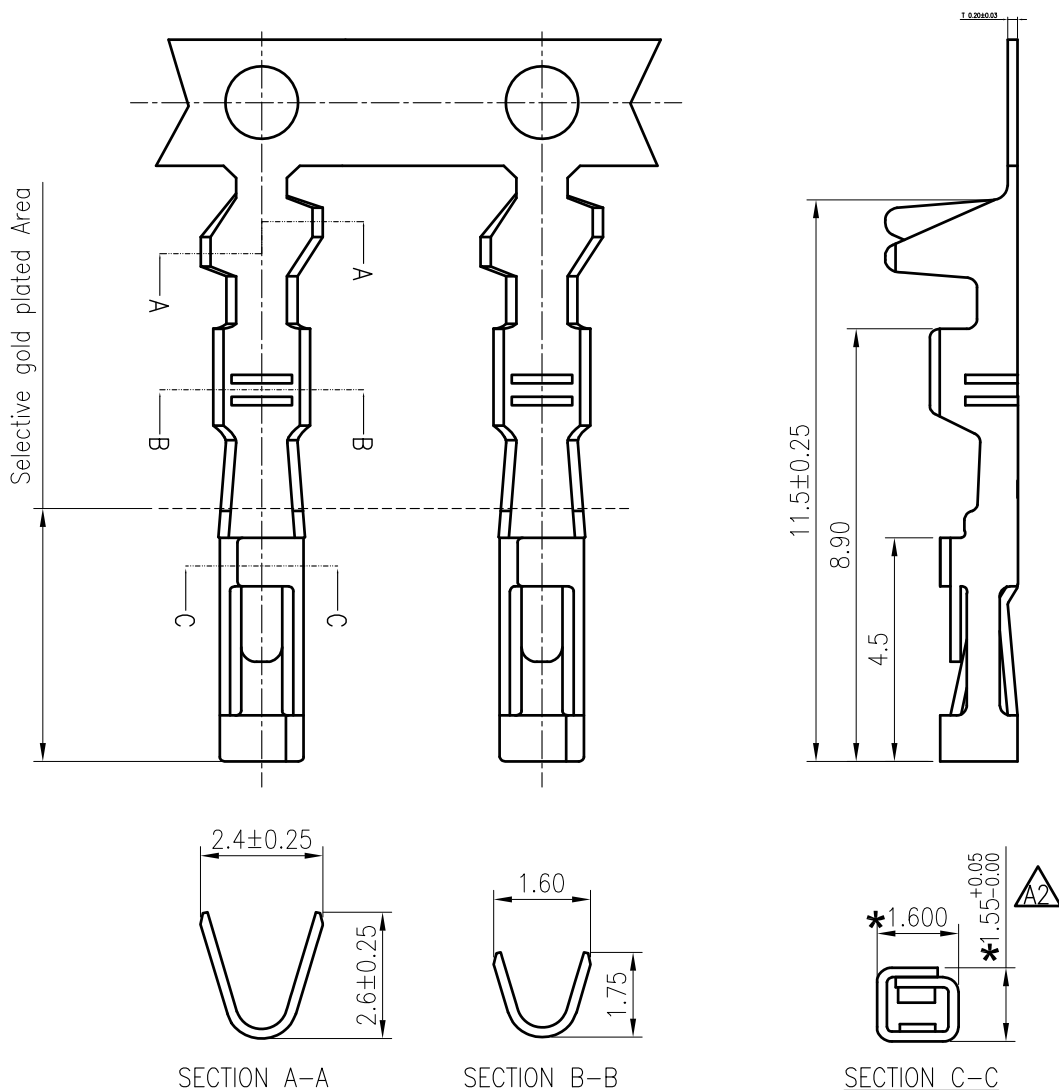
KONNRA 东莞市康瑞电子有限公司
DongGuan Konnra Electronics Co.,Ltd.

PART NO.: T2542MBB0101C

REV.: A2

DRAWING NO.: 2542TM101-C-S

RoHS
COMPLIANT



SPECIFICATIONS

1. Current rating: 3A AC, DC
2. Voltage rating: 250V AC, DC
3. Temperature range: -40°C ~ +105°C
4. Insulation resistance: 1000MΩ/ min.
5. Withstanding voltage: 1500V AC/ minute.
6. Contact resistance: 20mΩ/ max.

Material: Brass

Plating: Tin plated or Selective gold flash over Nickel

Applicable wires:

AWG #28~#22

Insulation O.D.: 1.70mm Max.

Suitable KR2542 series housing

Qty/reel: 10,000PCS

"*"为重点检验尺寸

Ordering Code:

T2542FB T01 01D

Plating

T01: Tin plated

B01: Selective gold flash



MARK

Uniformly arrange the drawings

Arvin

2020.06.12

TOLERANCE
X.X ±0.30
X.XX ±0.20
X.XXX ±0.10
Angle ±2°

TITLE:
DP2.54 Female
Terminal

UNIT:mm

SCALE:N/A

DRAWN: Arvin 2020.06.12

CHECKED:

APPROVED:

SHEET: 1/1

PROJECTION

KONNRA 东莞市康瑞电子有限公司

DongGuan Konnra Electronics Co.,Ltd.

PART NO.: T2542FB***01D

REV.: A1

DRAWING NO.: 2542TF101-D-S

1

2

3

4

5

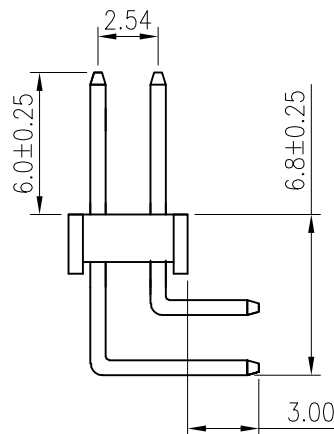
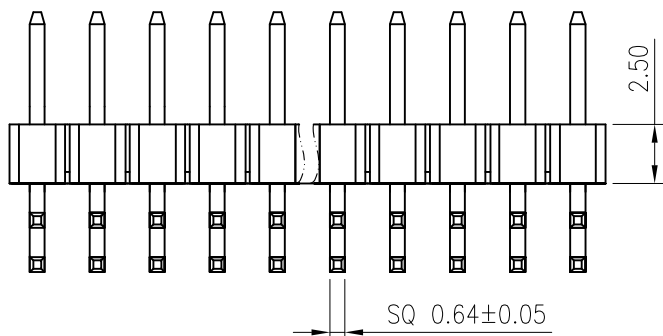
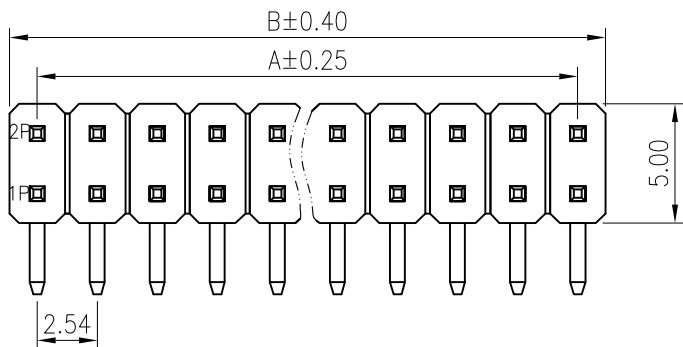
6

7

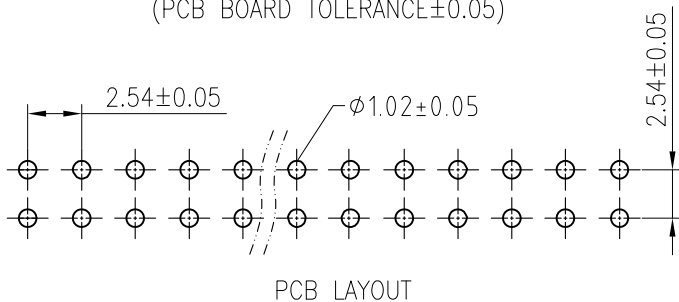
8

9

RoHS
COMPLIANT



Recommended P.C.B. Layout(Top Side)
(PCB BOARD TOLERANCE±0.05)



SPECIFICATIONS

1. Current rating: 3A AC, DC
2. Voltage rating:250V AC,DC
3. Temperature range: -40°C ~ +105°C
4. Insulation resistance: 1000MΩ/ min.
5. Withstanding voltage: 1000V AC/ minute.
6. Contact resistance: 20mΩ/ max.

Material:

- Insulator: PA6T UL 94V-0
- Contact: Brass
- Plating: Gold flash plated over Nickel
- Circuits: 2x2~2x40
- Mate with KR2542 series housing or female header

Ordering Code:

C2542RD *** ** G01 03PC
 No.of Circuits } } Plating
 202:2x2,240:2x40 } } G01:Gold flash
 Insulator Material }
 10:PA6T Black

A=2.54X(circuits/2-1)
 B=A+2.54

TOLERANCE
X.X ±0.30
X.XX ±0.20
X.XXX ±0.10
Angle ±2°

TITLE:
 DP2.54 DIP 90° Pin
 Header 2X30P H2.54/
 L6.0/D3.0

DRAWN: *Arwin 2021.09.08*
 CHECKED:
 APPROVED:

KONNRA 东莞市康瑞电子有限公司
 DongGuan Konnra Electronics Co.,Ltd.

PART NO.:C2542RD23010G0103PC

MARK	REVISION DESCRIPTION	SIGNATURE	DATE	UNIT:mm	SCALE:N/A	SHEET:1/1	PROJECTION	REV.:A1	DRAWING NO.:2542WMRD203-C-S
------	----------------------	-----------	------	---------	-----------	-----------	------------	---------	-----------------------------