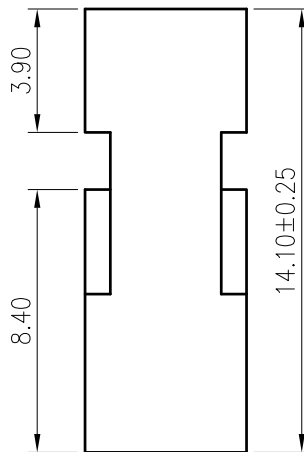
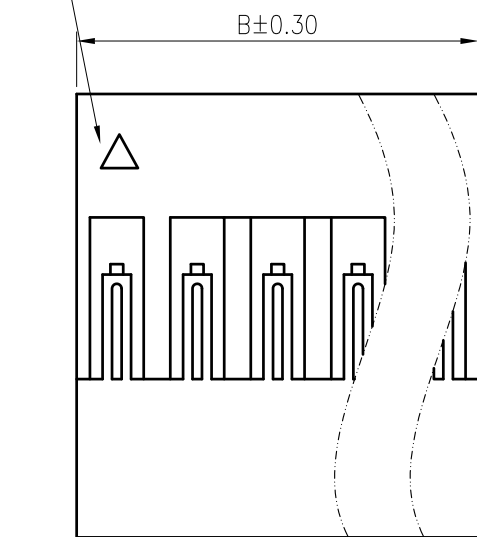
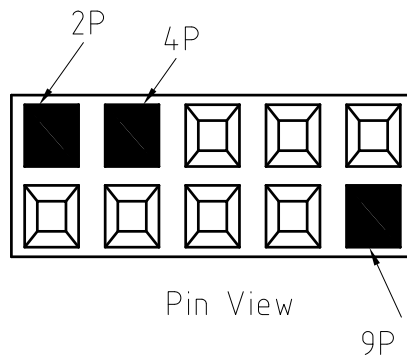
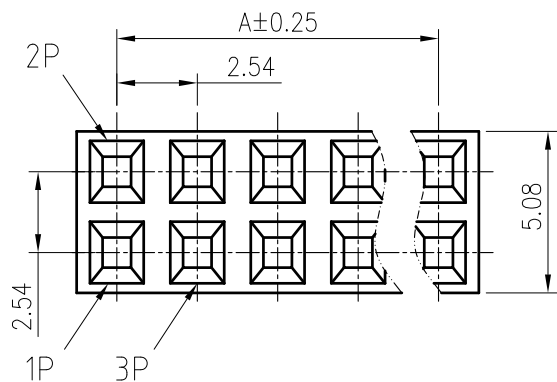


**RoHS**  
COMPLIANT



**SPECIFICATIONS**

1. Current rating: 3A AC, DC
2. Voltage rating: 250V AC,DC
3. Temperature range: -40°C ~ +105°C
4. Insulation resistance: 1000MΩ Min.
5. Withstanding voltage: 1500V AC/ minute.
6. Contact resistance: 20mΩ Max.

Material: PPO UL 94V-0  
Suitable KR2542 series terminal  
Mate with KR2542 series pin header

Ordering Code:

H25420 \*\*\* 06 \*\* D  
 No.of Circuits      Type:  
 202:2\*2,210:2\*10      01:Standard  
 Insulator Material      04:other  
 06:PPO Black V0

A=2.54X(Circuits/2-1)  
B=A+2.54



MARK	REVISION DESCRIPTION	SIGNATURE	DATE
1			
2			
3			

TOLERANCE  
 X.X ±0.30  
 X.XX ±0.20  
 X.XXX ±0.10  
 Angle ±2°

TITLE:  
 DP2.54 Housing  
 Dual Row

UNIT:mm SCALE:N/A

DRAWN: *Arwin 2020.06.01*  
 CHECKED:  
 APPROVED:

SHEET: 1/1 PROJECTION

**KONNRA** 东莞市康瑞电子有限公司  
 DongGuan Konnra Electronics Co.,Ltd.  
 PART NO.: H25420\*\*\*06\*\*D

REV.: A1 DRAWING NO.: 2542H201-D-S