

RoHS
COMPLIANT

SPECIFICATIONS

1. Current rating: 4A AC, DC
2. Voltage rating: 250V AC,DC
3. Temperature range: -40°C ~ +105°C
4. Insulation resistance: 1000MΩ Min.
5. Withstanding voltage: 1000V AC/ minute.
6. Contact resistance: 20mΩ Max.

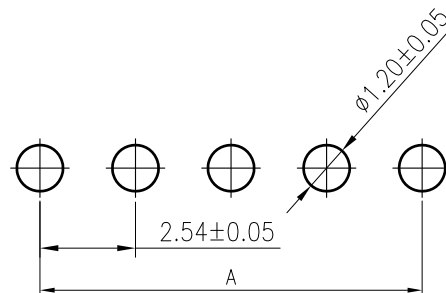
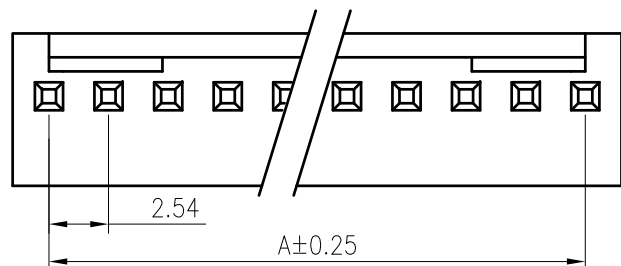
Material:

Insulator: PA66 UL 94V-0
 Contact: Brass
 Plating: Tin plated over Nickel
 Mate with KR2540 series Housing
 Ordering Code:

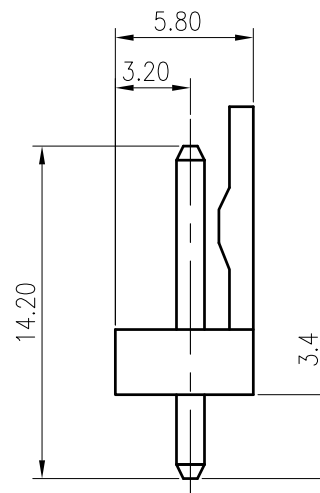
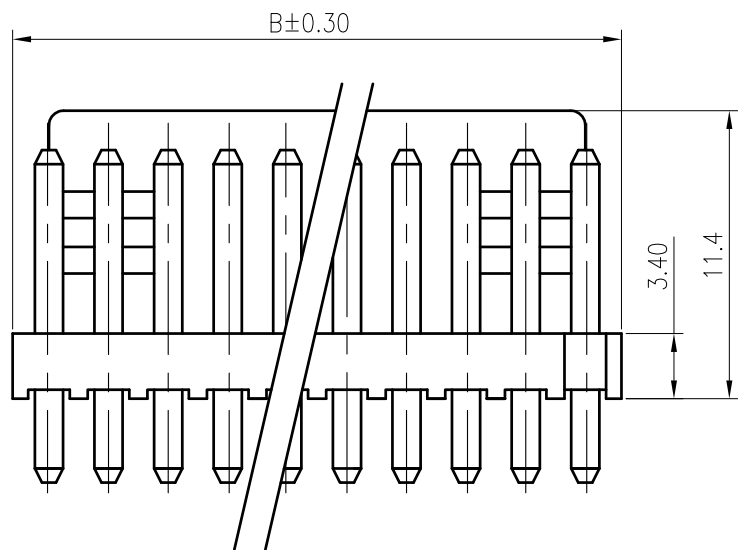
C2540VD *** 22 T01 01 PA

No. of Circuits

102:2, 115:15



P.C. Board Layout



Circuits	Dimensions	
	A	B
2	2.54	5.08
3	5.08	7.62
4	7.62	10.16
5	10.16	12.70
6	12.70	15.24
7	15.24	17.78
8	17.78	20.32
9	20.32	22.86
10	22.86	25.40
11	25.40	27.94
12	27.94	30.48
13	30.48	33.02
14	33.02	35.56
15	35.56	38.10

F	A3	Uniformly arrange the drawings	Arvin	2020.05.12	TOLERANCE	TITLE: MX2510 DIP 180° Wafer	DRAWN: Arvin 2020.5.12		KONNRA 东莞市康瑞电子有限公司 DongGuan Konnra Electronics Co.,Ltd.
					X.X ±0.30		CHECKED:		
	A2				X.XX ±0.20				
					X.XXX ±0.10		APPROVED:		PART NO.: C2540VD***22T0101PA
MARK	REVISION DESCRIPTION	SIGNATURE	DATE	Angle ±2°	UNIT:mm	SCALE:N/A	SHEET: 1/1	PROJECTION	REV.: A2
1	2	3	4	5	6	7	8	9	DRAWING NO.: 2540WVD101-A-S